

KODY SMD

Zestawienie zawiera ponad 4500 kodów SMD.

Kod SMD	Obudowa	Symbol	Wypro wadzeOpis nie
0	SOT173	2SC3603	CX Npn RF ft 7GHz
005		SSTPAD5	J PAD-5 5pA leakage diode
010		SSTPAD10	J PAD-10 10pA leakage diode
011	SOT23R	SO2369R	R 2N2369
02		BST82	M n-ch mosfet 80V 175mA
02		DTCC114T	N 50V 100mA npn sw + 10k Wypr.res
02	SOT143	MRF5711L	X npn RF MRF571
020		SSTPAD20	J PAD-20 20pA leakage diode
04	SOT143	MRF5211L	X pnp RF MRF521
-04	SOT323	PMSS3904	N 2N3904
050		SSTPAD50	J PAD-50 50pA leakage diode
05F		TSDF1205R	WQ FT12GHz npn 4V 5mA
-06	SOT323	PMSS3906	N 2N3906 in
081	SOT23R	SO2369AR	R 2N2369A
0A	SOT363	MUN5111DW1	DO dual pnp 10k+10k bias res
0B	SOT363	MUN5112DW1	DO dual pnp 22k+22k bias res
0C	SOT363	MUN5113DW1	DO dual pnp 47k+47k bias res
0D	SOT363	MUN5114DW1	DO dual pnp 10k+47k bias res
0E	SOT363	MUN5115DW1	DO dual pnp 10k Wypr. res
0F	SOT363	MUN5116DW1	DO dual pnp 4k7 Wypr. res
0G	SOT363	MUN5130DW1	DO dual pnp 1k0+1k0 bias res
0H	SOT363	MUN5131DW1	DO dual pnp 2k2+2k2 bias res
0J	SOT363	MUN5132DW1	DO dual pnp 4k7+4k7 bias res
0K	SOT363	MUN5133DW1	DO dual pnp 4k7+47k bias res
0L	SOT363	MUN5134DW1	DO dual pnp 22k+47k bias res
0M	SOT363	MUN5135DW1	DO dual pnp 2k2+47k bias res
1		2SC3587	CX npn RF ft10GHz
1	SOD523	BA277	I VHF Tuner band switch diode
1	SOT143	MRF9011	NPN
1	SOT23	SSTPAD100pA	dioda
1 (red)	SOD323	BB669	I 56-2.7 pF varicap
10	SOT143	MRF9411L	X npn Rf 8GHz MRF941
100		SSTPAD100	J PAD-100 100pA leakage diode
101	SOT346	PZM10NB1	C 10V 0.3W zener
102	SOT346	PZM10NB2	C 10V 0.3W zener
103	SOT346	PZM10NB3	C 10V 0.3W zener
10A	SOT346	PZM10NB2A	A dual ca 10V 0.3W zener
10V	SOT346	PZM10NB	C 10V 0.3W zener
10Y	SOT89	BZV49-C10	zener.
10Y	SOT89	BZV49-C10	O 10V 1W zener
11	SOT143	MRF9511L	X npn RF 8GHz MRF951
11	SOT363	MUN5311DW1	DP npn/pnp 10k+10k bias res
11	SOT416	PDTA114EU	N pnp + res

110	SOT23	KTY82-110		TEMPSENSE
111	SOT346	PZM11NB1	C	11V 0.3W zener
112	SOT346	PZM11NB2	C	11V 0.3W zener
113	SOT346	PZM11NB3	C	11V 0.3W zener
11A		MMBD1501A	C	Si diode 200V 100mA
11A	SOT346	PZM11NB2A	A	dual ca 11V 0.3W zener
11V	SOT346	PZM11NB	C	11V 0.3W zener
11Y	SOT89	BZV49-C11		zener.
11Y	SOT89	BZV49-C11	O	11V 1W zener
12	SOT363	MUN5312DW1	DP	npn/pnp 22k+22k bias res
120	SOT23	KTY82-120		TEMPSENSE
121	SOT23	KTY82-121		TEMPSENSE
121	SOT346	PZM12NB1	C	12V 0.3W zener
122	SOT23	KTY82-122		TEMPSENSE
122	SOT346	PZM12NB2	C	12V 0.3W zener
123	SOT346	PZM12NB3	C	12V 0.3W zener
12A		MMBD1502A	K	Si diode 200V 100mA
12A	SOT23	ZRA125F03		VREFERENCE
12A	SOT346	PZM12NB2A	A	dual ca 12V 0.3W zener
12B	SOT23	ZRA125F02		VREFERENCE
12C	SOT23	ZRA124F01		VREFERENCE
12E	SOT23	ZC2812E		dioda
12V	SOT346	PZM12NB	C	12V 0.3W zener
12Y	SOT89	BZV49-C12		zener.
12Y	SOT89	BZV49-C12	O	12V 1W zener
13	SOT23	BAS125		dioda
13	SOT363	MUN5313DW1	DP	npn/pnp 47k+47k bias res
131	SOT346	PZM13NB1	C	13V 0.3W zener
132	SOT346	PZM13NB2	C	13V 0.3W zener
133	SOT346	PZM13NB3	C	13V 0.3W zener
13A		MMBD1503A	D	dual Si diode 200V 100mA
13A	SOT346	PZM13NB2A	A	dual ca 13V 0.3W zener
13E	SOT23	ZC2813E		dioda
13s	SOT23	BAS125	C	Schottky sw 24V 100mA
13s	SOT323	BAS125W	C	Schottky sw 24V 100mA
13t	SOT363	BC846BPN	N	BC546B
13V	SOT346	PZM13NB	C	13V 0.3W zener
13Y	SOT89	BZV49-C13		zener.
13Y	SOT89	BZV49-C13	O	13V 1W zener
14		BAT114-099R	DQ	Quad Schottky crossoverring
14		DTA114E	N	pnp sw 10k + 10k bias res
14	SOT23	BAS125-04		dioda-2x
14	SOT363	MUN5314DW1	DP	npn/pnp 10k Wypr. res
14A		MMBD1504A	B	dual cc Si diode 200V 100mA
14s	SOT23	BAS125-04	D	Dual series Schottky 25V100mA
14s	SOT323	BAS125-04W	D	Dual series Schottky 25V100mA
15		DTA124E	N	pnp sw 30V 50mA +Wypr. res
15		MMBT3960	N	2N3960
15	SOT23	BAS125-05		dioda-2x
15	SOT23	MMBT3960		NPN
15	SOT363	MUN5315DW1	DP	npn/pnp 10k Wypr. res
150	SOT23	KTY82-150		TEMPSENSE
151	SOT23	KTY82-151		TEMPSENSE
151	SOT346	PZM15NB1	C	15V 0.3W zener
152	SOT23	KTY82-152		TEMPSENSE
152	SOT346	PZM15NB2	C	15V 0.3W zener
153	SOT346	PZM15NB3	C	15V 0.3W zener

15A		MMBD1505A	A	dual ca Si diode 200V 100mA
15A	SOT346	PZM15NB2A	A	dual ca 15V 0.3W zener
15s	SOT23	BAS125-05	B	dual cc Schottky 25V 100mA
15s	SOT323	BAS125-05W	B	dual cc Schottky 25V 100mA
15V	SOT346	PZM15NB	C	15V 0.3W zener
15Y	SOT89	BZV49-C15		zener.
15Y	SOT89	BZV49-C15	O	15V 1W zener
16		DTA144E	N	pnp sw 30V 50mA +Wypr. res
16	SOT23	BAS125-06		dioda-2x
16	SOT363	MUN5316DW1	DP	npn/pnp 4k7 Wypr. res
161	SOT346	PZM16NB1	C	16V 0.3W zener
162	SOT346	PZM16NB2	C	16V 0.3W zener
163	SOT346	PZM16NB3	C	16V 0.3W zener
16s	SOT23	BAS125-06	A	dual ca Schottky 25V 100mA
16s	SOT323	BAS125-06W	A	dual ca Schottky 25V 100mA
16V	SOT346	PZM16NB	C	16V 0.3W zener
16Y	SOT89	BZV49-C16		zener.
16Y	SOT89	BZV49-C16	O	16V 1W zener
179		FMMT5179	N	2N5179
179	SOT23	FMMT5179		NPN
17s	SOT143	BAS125-07	S	dual Schottky 25V 100mA
17s	SOT343	BAS125-07W	S	dual Schottky 25V 100mA
18		BFP181T	X	npn Rf fT 7.8GHz 10V 20mA
18	SOT346	PDTC143ZK	N	npn 4k7+47k bias res
181	SOT346	PZM18NB1	C	18V 0.3W zener
182	SOT346	PZM18NB2	C	18V 0.3W zener
183	SOT346	PZM18NB3	C	18V 0.3W zener
18V	SOT346	PZM18NB	C	18V 0.3W zener
18Y	SOT89	BZV49-C18		zener.
18Y	SOT89	BZV49-C18	O	18V 1W zener
19	SOT346	PDTA143ZK	N	pnnp 4k7+47k bias res
1A	SOT23	BC846A		NPN
1A	SOT23	BC846A	N	BC546A
1A	SOT23	FMMT3904		NPN
1A	SOT23	FMMT3904	N	2N3904
1A	SOT23	IRLML2402	F	n-ch mosfet 20V 0.9A
1A	SOT23	MMBT3904		NPN
1A	SOT23	MMBT3904	N	2N3904
1A	SOT23	PMBT3904		NPN
1A	SOT23	SMBT3904		NPN
1A	SOT23	YTS3904		NPN
1A	SOT323	BC846AW		NPN
1A	SOT416	BC846AT	N	BC546A
1A	SOT89	PXT3904		NPN
1A	SOT89	SXT3904		NPN
-1A	SOT323	PMST3904	N	2N3904
1A-	SOT323	BC846AW	N	BC546A
1AM	SOT23	MMBT3904L	N	2N3904
1Ap	SOT23	BC846A	N	BC546A
1At	SOT23	BC846A	N	BC546A
1At	SOT323	BC846AW	N	BC546A
1B	SOT23	BC846B		NPN
1B	SOT23	BC846B	N	BC546B
1B	SOT23	FMMT2222		NPN
1B	SOT23	FMMT2222	N	2N2222
1B	SOT23	IRLML2803	F	n-ch mosfet 30V 0.9A
1B	SOT23	MMBT2222		NPN

1B	SOT23	MMBT2222	N	2N2222
1B	SOT23	PMBT2222		NPN
1B	SOT23	SMBT2222		NPN
1B	SOT23	YTS2222		NPN
1B	SOT323	BC846BW		NPN
1B	SOT416	BC846BT	N	BC546B
1B	SOT89	PXT2222		NPN
-1B	SOT323	PMST2222	N	2N2222
1B-	SOT323	>BC846BW	N	BC546B
1Bp	SOT23	BC846B	N	BC546B
1Bs	SC74	BC817UPN	N	
1Bt	SOT23	BC846B	N	BC546B
1Bt	SOT323	BC846BW	N	BC546B
1C	SOT23	FMMT-A20		NPN
1C	SOT23	FMMT-A20	N	MPSA20
1C	SOT23	IRLML6302	F	p-ch mosfet 20V 0.6A
1C	SOT23	MMBTA20		NPN
1C	SOT23	MMBTA20L	N	MPS3904
1C	SOT23	SMBTA20		NPN
1Cp	SOT23	BAP50-05	B	dual cc GP RF pin diode
1Cs	SOT363	BC847S		BC457
1D	SOT23	BC846		NPN
1D	SOT23	IRLML5103	F	p-ch mosfet 30V 0.6A
1D	SOT23	MMBTA42		NPN
1D	SOT23	MMBTA42	N	MPSA42 300V npn
1D	SOT23	SMBTA42		NPN
1D	SOT323	BC846W		NPN
1D	SOT89	SXTA42		NPN
1D-	SOT323	BC846W	N	BC456
1DN		2SC4083	N	npn 11V 3.2GHz TV tuners
1Dp	SOT23	BC846	N	BC456
1DR	SC59	MSD1328-RT1		NPN
1DR	SOT346	MSD1328R	N	npn gp 25V 500mA
1Ds	SC74	BC846U	N	BC456
1Ds	SOT363	BC846U		BC456
1Dt	SOT23	BC846	N	BC456
1Dt	SOT323	BC846W	N	BC456
1E		FMMT-A43	N	MPSA43
1E	SOT23	BC847A		NPN
1E	SOT23	BC847A	N	BC547A
1E	SOT23	FMMT-A43		NPN
1E	SOT23	MMBTA43		NPN
1E	SOT23	MMBTA43	N	MPSA43 200V npn
1E	SOT23	SMBTA43		NPN
1E	SOT323	BC847AW		NPN
1E	SOT416	BC847AT	N	BC547A
1E	SOT89	SXTA43		NPN
1E-	SOT323	BC847A	N	BC547A
1EN		2SC4084	N	npn 20V 2.0GHz TV tuners
1Ep	SOT23	BC847A	N	BC547A
1ER	SOT23R	BC847AR	R	BC547A
1Es	SOT23	BC847A	N	BC457
1Es	SOT323	BC847AW	N	BC457
1Et	SOT23	BC847A	N	BC547A
1Et	SOT323	BC847A	N	BC547A
1F	SOT23	BC847B		NPN
1F	SOT23	BC847B	N	BC547B

1F	SOT23	FMMT5550		NPN
1F	SOT23	MMBT5550		NPN
1F	SOT23	MMBT5550	N	2N5550 140V npn
1F	SOT23	PMBT5550		NPN
1F	SOT323	BC847BW		NPN
1F	SOT416	BC847BT	N	BC547B
1F-	SOT323	BC847BW	N	BC547B
1Fp	SOT23	BC847B	N	BC547B
1FR	SOT23R	BC847BR	R	BC547B
1Fs	SC75	BC847BT	N	BC547B
1Fs	SOT23	BC847B	N	BC547B
1Fs	SOT323	BC847BW	N	BC547B
1Ft	SOT23	BC847B	N	BC547B
1Ft	SOT323	BC847BW	N	BC547B
1G		FMMT-A06	N	MPSA06
1G	SOT23	BC847C		NPN
1G	SOT23	BC847C	N	BC547C
1G	SOT23	FMMT-A06		NPN
1G	SOT23	MMBTA06		NPN
1G	SOT23	MMBTA06	N	MPSA06
1G	SOT23	SMBTA06		NPN
1G	SOT323	BC847CW		NPN
1G	SOT416	BC847CT	N	BC547C
1G-	SOT323	BC847CW	N	BC547C
1GM	SOT23	MMBTA06	N	MPSA06
1Gp	SOT23	BC847C	N	BC547C
1GR	SOT23R	BC847CR	R	BC547C
1Gs	SOT23	BC847C	N	BC547C
1Gs	SOT323	BC847CW	N	BC547C
1GT		SOA06	N	MPSA06
1GT	SOT23	SOA06		NPN
1Gt	SOT323	BC847CW	N	BC547C
1H		FMMT-A05	N	MPSA05
1H	SOT23	BC847		NPN
1H	SOT23	FMMT-A05		NPN
1H	SOT23	MMBTA05		NPN
1H	SOT23	MMBTA05	N	MPSA05
1H	SOT23	SMBTA05		NPN
1H	SOT323	BC847W		NPN
1H-	SOT323	BC847W	N	BC547
1Hp	SOT23	BC847	N	BC547
1Ht	SOT23	BC847	N	BC547
1HT	SOT23	SOA05		NPN
1HT	SOT23	SOA05	N	MPSA05
1Ht	SOT323	BC847W	N	BC547
1J		FMMT2369	N	2N2369
1J	SOT23	BC848A	N	BC548A
1J	SOT23	MMBT2369	N	MPS2369
1JA	SOT23	MMBT2369A	N	MPS2369A
1JR	SOT23R	BC848AR	R	BC548A
1Js	SOT143	BCV61A	VQ	npn current mirror hFe 180
1Js	SOT23	BC848A	N	BC548A
1Js	SOT323	BC848AW	N	BC548A
1K		FMMT4400	N	2N4400
1K	SOT143	BCV61B		NPN
1K	SOT23	BC848B		NPN
1K	SOT23	BC848B	N	BC548B

1K	SOT23	FMMT4400		NPN
1K	SOT23	MMBT6428		NPN
1K	SOT23	MMBT6428	N	MPSA18 50V
1K	SOT23	PMBT6428		NPN
1K	SOT23	SMBT6428		NPN
1K	SOT323	BC848BW		NPN
1KM	SOT23	MMBT6428L	N	MPSA18 50V
1Kp	SOT23	BC848B	N	BC548B
1KR	SOT23R	BC848BR	R	BC548B
1Ks	SOT143B	BCV61B	VQ	npn current mirror hFe 290
1Ks	SOT23	BC848B	N	BC548B
1Ks	SOT323	BC848BW	N	BC548B
1L		FMMT4401	N	2N4401
1L		MMBT6429	N	MPSA18 45V
1L	SOT143	BCV61C		NPN
1L	SOT143B	BCV61C	VQ	npn current mirror hFe 520
1L	SOT23	BC848C		NPN
1L	SOT23	BC848C	N	BC548C
1L	SOT23	FMMT4401		NPN
1L	SOT23	FMMT5400		PNP
1L	SOT23	MMBT6429		NPN
1L	SOT23	PMBT6429		NPN
1L	SOT23	SMBT6429		NPN
1L	SOT323	BC848CW		NPN
1Lp	SOT143B	BCV61C	VQ	npn current mirror hFe 520
1Lp	SOT23	BC848C	N	BC548C
1LR	SOT23R	BC848CR	R	BC548C
1Ls	SOT23	BC848C	N	BC548C
1Ls	SOT323	BC848CW	N	BC548C
1M	SOT143	BCV61		NPN
1M	SOT23	BC848		NPN
1M	SOT23	FMMT-A13		NPN
1M	SOT23	FMMT-A13	N	MPSA13
1M	SOT23	MMBTA13		NPN
1M	SOT23	MMBTA13	N	MPSA13 darlington
1M	SOT23	PMBTA13		NPN
1M	SOT23	SMBTA13		NPN
1M	SOT323	BC848W		NPN
1Mp	SOT143B	BCV61	VQ	npn current mirror
1Mp	SOT23	BC848	N	BC548
1N	SOT23	FMMT-A14		NPN
1N	SOT23	FMMT-A14	N	MPSA14
1N	SOT23	MMBTA14		NPN
1N	SOT23	MMBTA14	N	MPSA14 darlington
1N	SOT23	PMBTA14		NPN
1N	SOT23	SMBTA14		NPN
1N	SOT89	PXTA14		NPN
1N10	SOT223	MMFT1N10ET1		MOSFET
1P		BC847PN	DI	pnnp/npn separate pair gpAF
1P		FMMT2222A	N	2N2222A
1P	SOT23	FMMT2222A		NPN
1P	SOT23	MMBT2222A		NPN
1P	SOT23	MMBT2222A	N	2N2222A
1P	SOT23	PMBT2222A		NPN
1P	SOT23	SMBT2222A		NPN
1P	SOT23	YTS2222A		NPN
1P	SOT89	PKT2222A		NPN

1Q	SOT23	FMMT5088		NPN
1Q	SOT23	MMBT5088		NPN
1Q	SOT23	MMBT5088	N	MPSA18 Vce 30V
1Q	SOT23	PMBT5088		NPN
1R	SOT23	FMMT5089		NPN
1R	SOT23	MMBT5089		NPN
1R	SOT23	MMBT5089	N	MPSA18 Vce 25V
1S	SC59	MSC3130T1		NPN
1S	SOT23	MMBT2369A	N	2N2369A 500MHz sw npn
1S	SOT346	MSC3130	H	nnp RF FT 1.4GHz 10V
1T		MMBT3960A	N	2N3960A
1T	SOT23	MMBT3960A		NPN
1U	SOT23	MMBT2484		NPN
1U	SOT23	MMBT2484L	N	MPSA18
1V	SOT23	BF820		NPN
1V	SOT23	MMBT6427		NPN
1V	SOT23	MMBT6427	H	2N6426/7 darlington npn
1V	SOT23	SMBT6427		NPN
1V-	SOT323	BF820W	N	nnp 300V 50mA
1Vp	SOT23	BF820	N	nnp 300V 50mA
1Vt	SOT23	BF820	N	nnp 300V 50mA
1Vt	SOT323	BF820W	N	nnp 300V 50mA
1W		FMMT3903	N	2N3903
1W	SOT23	BF821		PNP
1W	SOT23	FMMT3903		NPN
1W -	SOT323	BF822W	N	pnp 300V 50mA
1W t	SOT323	BF822W	N	pnp 300V 50mA
1Wp	SOT23	BF821	N	pnp 300V 50mA
1Wt	SOT23	BF821	N	pnp 300V 50mA
1X		MMBT930L	N	MPS3904
1X	SOT23	BF822		NPN
1Xp	SOT23	BF822	N	nnp 250V 50mA
1Xt	SOT23	BF822	N	nnp 250V 50mA
1Y		MMBT3903	N	2N3903
1Y	SOT23	BF823		PNP
1Y	SOT23	MMBT3903		NPN
1Y	SOT23	YTS3903		NPN
1Yp	SOT23	BF823	N	pnp 250V 50mA
1Yt	SOT23	BF823	N	pnp 250V 50mA
1Z	SOT23	BAS70-06		dioda-2x
1Z	SOT23	MMBT6517		NPN
1Z	sot23	MMBT6517	N	2N6517 npn Vce 350V
2		2SC3604	CX	nnp RF FT8GHz MAG 12dB@2GHz
2	SCD80	BAT62-02W	I	BAT16 schottky diode
2	SOT143	MRF5711		NPN
2	SOT23	BSX39		NPN
2(blue)	SOD323	BAR64-03W	I	pin diode
2(white)	SOD323	BB439	I	29-5 pF varicap
20	SOT143	MRF5811	X	nnp Rf FT 5GHz 0.2A
-20	SOT323	PDTC114WU	N	nnp + res
200		SSTPAD200	J	PAD-200 200pA leakage diode
201	SOT346	PZM20NB1	C	20V 300mW Zener
202	SOT346	PZM20NB2	C	20V 300mW Zener
203	SOT346	PZM20NB3	C	20V 300mW Zener
20F	SOT143	TSDF1220	X	FT 12GHz npn 6V 20mA
20V	SOT346	PZM20NB	C	20V 300mW zener
20Y		BZV49-C20	O	20V 1W zener

20Y	SOT89	BZV49-C20		zener.
21	SOT23	YTS4403		PNP
210	SOT23	KTY82-210		TEMPSENSE
22		MMBT4209	N	pnp sw 850MHz 2N4209
22	SOT23	BAS70-04		dioda-2x
22	SOT23	BZX84-C5V1		zener.
22	SOT23	MMBT6520		PNP
220	SOT23	KTY82-220		TEMPSENSE
221	SOT23	KTY82-221		TEMPSENSE
221	SOT346	PZM22NB1	C	22V 300mW Zener
222	SOT23	KTY82-222		TEMPSENSE
222	SOT346	PZM22NB2	C	22V 300mW Zener
223	SOT346	PZM22NB3	C	22V 300mW Zener
225	SOT23	BAS70-05		dioda-2x
22V	SOT346	PZM22NB	C	22V 300mW zener
22Y		BZV49-C22	O	22V 1W zener
22Y	SOT89	BZV49-C22		zener.
23		DTC143E	N	pnp sw 50V 100mA + 4k7 biasres
23		MMBT3646	N	npn sw 350MHz 2N3646
-23	SOT323	PDTA114TU	N	pnp +10k Wypr. res
24		2SC5006	N	npn RF ft 4.5GHz @3V 7mA
24		DTC114E	N	npn sw 50V 100mA + 10k biasres
24		MMBD2101	C	Si diode 100V 200mA
-24	SOT323	PDTC114TU	N	npn +10k res
241	SOT346	PZM24NB	C	24V 300mW Zener
242	SOT346	PZM24NB	C	24V 300mW Zener
243	SOT346	PZM20NB	C	24V 300mW Zener
24V	SOT346	PZM24NB	C	24V 300mW Zener
24Y		BZV49-C24	O	24V 1W zener
24Y	SOT89	BZV49-C24		zener.
25		DTC124E	N	npn sw 50V 100mA + 22k biasres
25		MMBD2102	K	Si diode 100V 200mA
250	SOT23	KTY82-250		TEMPSENSE
251	SOT23	KTY82-251		TEMPSENSE
252	SOT23	KTY82-252		TEMPSENSE
25A	SOT23	ZRA250F03		VREFERENCE
25B	SOT23	ZRA250F01		VREFERENCE
25C	SOT23	ZRA250F02		VREFERENCE
26		DTC144E	N	npn sw 50V 30mA + 47k biasres
26		MMBD2103	D	dual MMBD1201
27		MMBD2104	B	dual cc MMBD1201
271	SOT346	PZM2.7NB1	C	2.7V 300mW Zener
272	SOT346	PZM2.7NB2	C	2.7V 300mW Zener
27V	SOT346	PZM27NB	C	27V 300mW Zener
27Y		BZV49-C27	O	27V 1W zener
27Y	SOT89	BZV49-C27		zener.
28		BFP280T	W	npn RF ft 7GHz 8V 10mA
28		MMBD2105	A	dual ca MMBD1201
-28	SOT323	PDTA114WU	N	pnp + res
29		MMBD1401	C	Si diode 200V 100mA
2955	SOT223	MMFT2955ET1		MOSFET
2A	SOT23	FMMT3906		PNP
2A	SOT23	FMMT3906	N	2N3906
2A	SOT23	MMBT3906		PNP
2A	SOT23	MMBT3906L	N	2N3906
2A	SOT23	PMBT3906		PNP
2A	SOT23	SMBT3906		PNP

2A	SOT23	YTS3906		PNP
2A	SOT323	MMBT3906W	N	2N3906
2A	SOT89	PXT3906		PNP
2A	SOT89	SXT3906		PNP
2A4	SOT346	PZM2.4NB2A	A	dual 2.4V cc Zener
2A7	SOT346	PZM2.7NB2A	A	dual 2.7V cc Zener
2B		FMMT2907	N	2N2907
2B	SOT23	BC849B		NPN
2B	SOT23	BC849B	N	BC549B
2B	SOT23	FMMT2907		PNP
2B	SOT23	MMBT2907		PNP
2B	SOT23	MMBT2907	N	MPS2907
2B	SOT23	PMBT2907		PNP
2B	SOT23	SMBT2907		PNP
2B	SOT23	YTS2907		PNP
2B	SOT323	BC849B		NPN
2B	SOT89	PXT2907		PNP
2B-	SOT323	BC849BW	N	BC549B
2Bp	SOT23	BC849B	N	BC549B
2BR		BC849BR	R	BC549B
2Bs	SOT23	BC849B	N	BC549B
2Bs	SOT323	BC849BW	N	BC549B
2Bt	SOT323	BC849BW	N	BC549B
2C	SOT23	BC849C		NPN
2C	SOT23	BC849C	N	BC549C
2C	SOT23	FMMT-A70		PNP
2C	SOT23	MMBTA70		PNP
2C	SOT23	MMBTA70	N	MPSA70
2C	SOT23	SMBTA70		PNP
2C	SOT323	BC849C		NPN
2C-	SOT323	BC849CW	N	BC549C
2Cp	SOT23	BC849C	N	BC549C
2CR	SOT23R	BC849CR	R	BC549C
2Cs	SOT23	BC849C	N	BC549C
2Cs	SOT323	BC849CW	N	BC549C
2Ct	SOT23	BC849C	N	BC549C
2Ct	SOT323	BC849CW	N	BC549C
2D	SOT23	BC849		NPN
2D	SOT23	MMBTA92		PNP
2D	SOT23	MMBTA92	N	MPSA92 pnp Vce 300V
2D	SOT23	SMBTA92		PNP
2D	SOT323	BC849		NPN
2D	SOT89	PXTA92		PNP
2D	SOT89	SXTA92		PNP
2E	SOT23	FMMT-A93		PNP
2E	SOT23	FMMT-A93	N	MPSA93
2E	SOT23	MMBTA93		PNP
2E	SOT23	MMBTA93	N	MPSA93 pnp Vce 200V
2E	SOT23	SMBTA93		PNP
2E	SOT89	PXTA93		PNP
2E	SOT89	SXTA93		PNP
2F	SOT23	BC850B		NPN
2F	SOT23	BC850B	N	BC550B
2F	SOT23	FMMT2907A		PNP
2F	SOT23	FMMT2907A	N	2N2907A
2F	SOT23	MMBT2907A		PNP
2F	SOT23	MMBT2907A	N	MPS2907A

2F	SOT23	PMBT22907A		PNP
2F	SOT23	SMBT2907A		PNP
2F	SOT23	YTS2907A		PNP
2F	SOT323	BC850BW		NPN
2F	SOT323	MMBT2907AW	N	MPS2907A
2F	SOT89	PXT2907A		PNP
2F	SOT89	SXT2907A		PNP
2F-	SOT323	BC850BW	N	BC550B
2Fp	SOT23	BC850B	N	BC550B
2FR	SOT23R	BC850BR	R	BC550B
2Fs	SOT23	BC850B	N	BC550B
2Fs	SOT323	BC850BW	N	BC550B
2Ft	SOT23	BC850B	N	BC550B
2Ft	SOT323	BC850BW	N	BC550B
2G	SOT23	BC850C		NPN
2G	SOT23	BC850C	N	BC550C
2G	SOT23	FMMT-A56		PNP
2G	SOT23	FMMT-A56	N	MPSA56
2G	SOT23	MMBTA56		PNP
2G	SOT23	MMBTA56	N	MPSA56
2G	SOT23	SMBTA56		PNP
2G	SOT323	BC850CW		NPN
2G-	SOT323	BC850CW	N	BC550C
2GM	SOT23	MMBTA56	N	MPSA56
2Gp	SOT23	BC850C	N	BC550C
2GR	SOT23R	BC850CR	R	BC550C
2Gs	SOT23	BC850C	N	BC550C
2GT		SOA56	N	MPSA56
2GT	SOT23	SOA56		PNP
2Gt	SOT323	BC850C	N	BC550C
2Gt	SOT323	BC850CW	N	BC550C
2H		FMMT-A55	N	MPSA55
2H	SOT23	BC850		NPN
2H	SOT23	FMMT-A55		PNP
2H	SOT23	MMBTA55		PNP
2H	SOT23	MMBTA55	N	MPSA55
2H	SOT23	SMBTA55		PNP
2H	SOT323	BC850W		NPN
2HT		SOA55	N	MPSA55
2HT	SOT23	SOA55		PNP
2J	SOT23	MMBT3640		PNP
2J	SOT23	MMBT3640	N	MPS3640 pnp sw
2K		FMMT4402	N	2N4402
2K		MMBT8598	N	2N4125 pnp 60V
2K	SOT23	FMMT4402		PNP
2K	SOT23	MMBT8598		PNP
2L		FMMT4403	N	2N4403
2L	SOT23	FMMT4403		PNP
2L	SOT23	FMMT5401		PNP
2L	SOT23	MMBT5401		PNP
2L	SOT23	MMBT5401	N	2N5401 pnp 150V
2L	SOT23	PMBT5401		PNP
2M		FMMT5087	N	2N5087
2M	SOT23	FMMT5087		PNP
2M	SOT23	MMBT404		PNP
2M	SOT23	MMBT404	N	pnp-chopper 24V 150mA
2N	SOT23	MMBT404A		PNP

2N	SOT23	MMBT404A	N	pnp-chopper 35V 150mA
2N02L	SOT223	MMFT2N02ELT1		MOSFET
2P		FMMT2222R	R	2N2222
2P	SOT23	FMMT2222R		NPN
2P	SOT23	MMBT5086		PNP
2P	SOT23	MMBT5086	N	2N5086
2P	SOT23	SMBT5086		PNP
2P	SOT89	SXT2222A		NPN
2Q	SOT23	FMMT5209		NPN
2Q	SOT23	MMBT5087		PNP
2Q	SOT23	MMBT5087	N	2N5087
2Q	SOT23	SMBT5087		PNP
2R	SOT23	FMMT5210		NPN
2R	SOT23	HSMS-8102	Z	10-14GHz schottky mixerpair
2R	SOT23	MMBT4260		PNP
2S	SOT23	MMBT4261		PNP
2T		HT2	N	pnp 80V 100mA
2T		SO4403	N	2N4403
2T	SOT23	HT2		PNP
2T	SOT23	MMBT4403		PNP
2T	SOT23	MMBT4403	N	2N4403
2T	SOT23	PMBT4403		PNP
2T	SOT23	S04403		PNP
2T	SOT89	PXT4403		PNP
2U	SOT23	FMMT-A63		PNP
2U	SOT23	MMBTA63		PNP
2U	SOT23	MMBTA63	N	MPSA63 darlington
2U	SOT23	PMBTA63		PNP
2U	SOT23	SMBTA63		PNP
2V	SOT23	FMMT-A64		PNP
2V	SOT23	MMBTA64		PNP
2V	SOT23	MMBTA64	N	MPSA64 darlington
2V	SOT23	PMBTA64		PNP
2V	SOT23	SMBTA64		PNP
2V	SOT89	PXTA64		PNP
2V4	SOT346	PZM2.4NB	C	2.4V 300mW Zener
2V7	SOT346	PZM2.7NB	C	2.7V 300mW Zener
2W		FMMT3905	N	2N3905
2W		MMBT8599	N	2N4125 Vce 80V pnp
2W	SOT23	FMMT3905		PNP
2W	SOT23	MMBT8599		PNP
2X		SO4401	N	2N4401
2X	SOT23	MMBT4401		NPN
2X	SOT23	MMBT4401	N	2N4401
2X	SOT23	PMBT4401		NPN
2X	SOT23	S04401		NPN
2X	SOT23	YTS4401		NPN
2X	SOT89	PXT4401		NPN
2Y4	SOT89	BZV49-C2V4		zener.
2Y4	SOT89	BZV49-C2V4	O	2.4V 1W zener
2Y7	SOT89	BZV49-C2V7		zener.
2Y7	SOT89	BZV49-C2V7	O	2.7V 1W zener
2Z	SOT23	MMBT6520	N	2N6520 pnp Vce 350V
3055	SOT223	MMFT3055ET1		MOSFET
3055L	SOT223	MMFT3055ELT1		MOSFET
30Y	SOT89	BZY49-C30		zener.
33A	SOT23	ZRC330F03		VREFERENCE

33B	SOT23	ZRC330F02	VREFERENCE
33C	SOT23	ZRC330F01	VREFERENCE
33Y	SOT89	BZV49-C33	zener.
36Y	SOT89	BZV49-C36	zener.
39Y	SOT89	BZV49-C39	zener.
3A	SOT23	BC856A	PNP
3A	SOT23	MMBTH24	NPN
3A	SOT323	BC856AW	PNP
3AR	SOT23	BC856RA	PNP
3B	SOT23	BC856B	PNP
3B	SOT23	FMMT918	NPN
3B	SOT23	MMBT918	NPN
3B	SOT323	BC856BW	PNP
3BR	SOT23	BC856RB	PNP
3C	SOT23	FMMT-A20R	NPN
3D	SOT23	BC856	PNP
3D	SOT23	MMBTH81	PNP
3D	SOT323	BC856W	PNP
3E	SOT23	BC857A	PNP
3E	SOT23	FMMT-A42	NPN
3E	SOT23	MMBTH10	NPN
3E	SOT323	BC857AW	PNP
3ER	SOT23	BC857RA	PNP
3EZ	SOT23	FMMT-H10	PNP
3F	SOT23	BC857B	PNP
3F	SOT23	MMBT6543	NPN
3F	SOT323	BC857BW	PNP
3FR	SOT23	BC857RB	PNP
3G	SOT23	BC857C	PNP
3G	SOT323	BC857CW	PNP
3H	SOT23	BC857	PNP
3H	SOT323	BC857W	PNP
3J	SOT143	BCV62A	PNP
3J	SOT23	BC858A	PNP
3J	SOT23	MMBTH69	PNP
3J	SOT323	BC858AW	PNP
3JR	SOT23	BC858RA	PNP
3K	SOT143	BCV62B	PNP
3K	SOT23	BC858B	PNP
3K	SOT323	BC858BW	PNP
3KR	SOT23	BC858RB	PNP
3L	SOT143	BCV62C	PNP
3L	SOT23	BC858C	PNP
3L	SOT323	BC858CW	PNP
3M	SOT143	BCV62	PNP
3M	SOT23	BC858	PNP
3M	SOT23	FMMT5087R	PNP
3M	SOT323	BC858W	PNP
3P	SOT23	FMMT2222RA	NPN
3T	SOT23	HT3	NPN
3W	SOT23	FMMT-A12	NPN
3Y3	SOT89	BZV49-C3V3	zener.
3Y6	SOT89	BZV49-C3V6	zener.
3Y9	SOT89	BZV49-C3V9	zener.
3YO	SOT89	BZV49-C3VO	zener.
4	SCD80	BB664	I Varicap 42-2.5pF
4	SOT143	MRF5211	PNP

4 (red)	SOD323	BB57-03W	I	Varicap
4 (white)	SOD323	BAS140W	I	40V 120mA sw schottky
4 (yellow)	SOD323	BB644	I	Varicap 42-2.5pF
41	SOT173	BAT14-115R	CZ	40GHz schottky ring quad
41	SOT173	BAT14-115S	CS	40GHz schottky diode
415	SOT23	FMMT415		NPN
417	SOT23	FMMT417		NPN
41A	SOT23	FMMT491A		NPN
41A	SOT23	FMMT491A	N	npn 40v 1A max
41D	SOT173	BAT14-115D	CY	40GHz schottky dual
42	SOT173	BAT14-025R	CZ	4GHz schottky ring quad
42	SOT173	BAT14-025S	CS	4GHz schottky diode
42D	SOT173	BAT14-025D	CY	4GHz schottky dual
43		BAS40	C	schottky diode 40V 100mA
43	SOT23	BAS40		dioda
43	SOT416	DTA143EE	N	pnnp with 4k7 +4k7 bias R
431	SOT346	PZM4.3NB1	C	4.3V 0.3W zener
432	SOT346	PZM4.3NB2	C	4.3V 0.3W zener
433	SOT346	PZM4.3NB3	C	4.3V 0.3W zener
43V	SOT346	PZM43NB	C	43V 0.3W zener
43Y	SOT89	BZV49-C43		zener.
43Y	SOT89	BZV49-C43	O	43V 1W zener
44		2SC5009	N	npn RF ft 12GHz @3V 5mA
44	SOT23	BAS40-04		dioda-2x
44	SOT23	BAS40-04	D	dual series BAS40
44	SOT323	BAS40-04W	D	dual series BAS40
449	SOT23	FMMT449		NPN
45	SOT173	BAT14-055R	CZ	8GHz schottky ring quad
45	SOT173	BAT14-055S	CS	8GHz schottky diode
45	SOT23	BAS40-05		dioda-2x
45	SOT23	BAS40-05	A	dual ca BAS40
45	SOT323	BAS40-05W	A	dual ca BAS40
451	SOT23	FMMT451		NPN
455	SOT23	FMMT455		NPN
458	SOT23	FMMT458		NPN
458	SOT23	FMMT458	N	npn 400V 0.4A
45D	SOT173	BAT14-055D	CY	8GHz schottky dual
46		MBT3946DW	DP	2N3904/2N3906 pair
46	SOT23	BAS40-06		dioda-2x
46	SOT23	BAS40-06	B	dual cc BAS40
46	SOT323	BAS40-06W	B	dual cc BAS40
47	SOT143	BAS40-07		dioda-2x
47	SOT143	BAS40-07	S	dual BAS40
47	SOT343	BAS40-07W	S	dual BAS40
471	SOT346	PZM4.7NB1	C	4.7V 0.3W zener
472	SOT346	PZM4.7NB2	C	4.7V 0.3W zener
473	SOT346	PZM4.7NB3	C	4.7V 0.3W zener
47V	SOT346	PZM47NB	C	47V 0.3W zener
47Y	SOT89	BZV49-C47		zener.
47Y	SOT89	BZV49-C47	O	47V 1W zener
489	SOT23	FMMT489		NPN
49	SOT173	BAT14-095R	CZ	18GHz schottky ring quad
49	SOT173	BAT14-095S	CS	18GHz shottky diode
491	SOT23	FMMT491		NPN
491	SOT23	FMMT491	N	ZTX 450/451
493	SOT23	FMMT493		NPN
493	SOT23	FMMT493	N	ZTX 453

494	SOT23	FMMT494		NPN
495	SOT23	FMMT495		NPN
497	SOT23	FMMT497		NPN
49D	SOT173	BAT14-095D	CY	18GHz schottky dual
4A		HD3A	C	75V 100mA sw diode
4A		MMBV109	C	MV209 varicap
4A	SOT23	BC859A		PNP
4A	SOT23	BC859A	N	BC559A
4A	SOT23	FMMV109		VCAPdioda
4A	SOT23	MMBV109		VCAPdioda
4A	SOT323	BC859AW		PNP
4A3	SOT346	PZM4.3NB2A	A	dual ca 4.3V Zener
4A7	SOT346	PZM4.7NB2A	A	dual ca 4.7V Zener
4AR	SOT23	BC859RA		PNP
4AR	SOT23R	BC859AR	R	BC559A
4As	SOT23	BC859A	N	BC559A
4As	SOT323	BC859AW	N	BC559A
4B		MMBV432	B	dual cc varicap 1.5-45pF
4B	SOT23	BC859B		PNP
4B	SOT23	BC859B	N	BC559B
4B	SOT23	MMBV432L		VCAPdioda
4B	SOT323	BC859BW		PNP
4B-	SOT323	BC859BW	N	BC559B
4Bp	SOT23	BC859B	N	BC559B
4BR	SOT23	BC859RB		PNP
4BR	SOT23R	BC859BR	R	BC559B
4Bs	SOT23	BC859B	N	BC559B
4Bs	SOT323	BC859BW	N	BC559B
4Bt	SOT23	BC859B	N	BC559B
4Bt	SOT323	BC859BW	N	BC559B
4C	SOT23	BC859C		PNP
4C	SOT23	BC859C	N	BC559C
4C	SOT23	FMMV3102		VCAPdioda
4C	SOT23	MMBV3102		VCAPdioda
4C	SOT23	MMVB3102	C	varicap 6-35pF
4C	SOT323	BC859CW		PNP
4C-	SOT323	BC859CW	N	BC559C
4Cp	SOT23	BC859C	N	BC559C
4CR	SOT23	BC859RC		PNP
4CR	SOT23R	BC859CR	R	BC559C
4Cs	SOT23	BC859C	N	BC559C
4Cs	SOT323	BC859CW	N	BC559C
4Ct	SOT23	BC859C	N	BC559C
4Ct	SOT323	BC859CW	N	BC559C
4D		HD3A	C	sw diode 75V 100mA
4D	SOT23	BC859		PNP
4D	SOT23	BC859B	N	BC559B
4D	SOT23	HD3A		dioda
4D	SOT23	MMBV3401		PNP
4D	SOT23	MMBV3401	C	VHF pin diode
4D	SOT323	BC859W		PNP
4D-	SOT323	BC859W	N	BC559B
4Dt	SOT323	BC859W	N	BC559B
4E	SOT23	BC860A		PNP
4E	SOT23	BC860A	N	BC560A
4E	SOT23	FMMT-A92		PNP
4E	SOT23	FMMT-A92	N	MPSA92

4E	SOT23	FMMV105G		VCAPdioda
4E	SOT23	MMBV105G		VCAPdioda
4E	SOT23	MMBV105G	C	MV105 varicap
4E	SOT323	BC860AW		PNP
4ER	SOT23	BC860RA		PNP
4ER	SOT23R	BC860AR	R	BC560A
4F	SOT23	BC860B		PNP
4F	SOT23	BC860B	N	BC560B
4F	SOT23	MMBD353		H/Cdioda-2x
4F	SOT23	MMBD353	Z	dual MBD101
4F	SOT323	BC860BW		PNP
4F-	SOT323	BC860BW	N	BC560B
4Fp	SOT23	BC860B	N	BC560B
4FR	SOT23	BC860BR	R	BC560B
4FR	SOT23	BC860RB		PNP
4Fs	SOT23	BC860B	N	BC560B
4Fs	SOT323	BC860BW	N	BC560B
4Ft	SOT23	BC860B	N	BC560B
4Ft	SOT323	BC860BW	N	BC560B
4G	SOT23	BC860C		PNP
4G	SOT23	BC860C	N	BC560C
4G	SOT23	FMMT2484		NPN
4G	SOT23	MMBV2101		VCAPdioda
4G	SOT23	MMBV2101	C	MV2101 varicap
4G	SOT323	BC860CW		PNP
4G-	SOT323	BC860CW	N	BC560C
4Gp	SOT23	BC860C	N	BC560C
4GR	SOT23	BC860CR	R	BC560CR
4Gs	SOT23	BC860C	N	BC560C
4Gs	SOT323	BC860CW	N	BC560C
4Gt	SOT23	BC860C	N	BC560C
4Gt	SOT323	BC860CW	N	BC560C
4H	SOT23	BC860		PNP
4H	SOT23	MMBV2103		VCAPdioda
4H	SOT23	MMBV2103	C	MV2103 varicap
4H	SOT323	BC860W		PNP
4H-	SOT323	BC860W	N	BC560
4Ht	SOT323	BC860W	N	BC560
4J		FMMT38A	N	BCX38A
4J	SOT23	FMMT38A		NPN
4J	SOT23	MMBV2109		VCAPdioda
4J	SOT23	MMBV2109	C	MV2109 varicap
4K		BAP64-04	D	dual series 3GHz pin diode
4K	SOD123	MMSB3000	I	Si diode 30V 0.2A
4K	SOT23	MMBV2097		VCAPdioda
4L		BAP50-04	D	dual series GP RF pin diode
4L	SOT23	MMBV2098		VCAPdioda
4M		MMBD101	C	MBD101 schottky diode
4M	SOT23	MMBD101		HOTCAR.dioda
4Ms	SOT143	BAT240A	EQ	dual schottky 250V 0.4A
4P	SOT23	FMMT2907R		PNP
4R	SOT23	MMBV3700		PNP
4R	SOT23	MMBV3700	C	200V vhf pin diode
4S		MMBD201	C	MBD201
4S	SOT23	MMBD201		HOTCAR.dioda
4T	SOT23	MMBD301		HOTCAR.dioda
4T	SOT23	MMBD301	C	MBD301 UHF schottky diode

4U	SOT23	MMBV2105		VCAPdioda
4U	SOT23	MMBV2105	C	MV2105 varicap
4V	SOT23	BCW65AR		NPN
4V	SOT23	MMBV2106	C	MV2106 varicap
4V3	SOT346	PZM4.3NB	C	4.3V 0.3W zener
4V7	SOT346	PZM4.7NB	C	4.7V 0.3W zener
4W	SOT23	BCW67AR		PNP
4W	SOT23	MMBV2107		VCAPdioda
4W	SOT23	MMBV2107	C	MV2107 varicap
4X	SOT23	MMBV2108		VCAPdioda
4X	SOT23	MMBV2108	C	MV2108 varicap
4Y	SOT23	MMBV2102	C	MV2102 varicap
4Y3	SOT89	BZV49-C4V3		zener.
4Y3	SOT89	BZV49-C4V3	O	4.3V 1W zener
4Y7	SOT89	BZV49-C4V7		zener.
4Y7	SOT89	BZV49-C4V7	O	4.7V 1W zener
4Z	SOT23	MMBV2104		VCAPdioda
4Z	SOT23	MMBV2104	C	MV2104 varicap
5	SOT143	MRF9331		NPN
5	SOT23	SSTPAD5		pAdioda
5 (red)	SOD323	BBY57-03W	I	varicap
5 (white)		BAT60B	I	10V 3A sw Schottky
500		SSTPAD500	J	PAD-500 500pA leakage diode
50A	SOT23	ZRA500F03		VREFERENCE
50B	SOT23	ZRA500F02		VREFERENCE
50G	SOT23	ZRB500F03		VREFERENCE
50H	SOT23	ZRB500F02		VREFERENCE
50I	SOT23	ZRB500F01		VREFERENCE
51	SOT173	BAT15-115R	CZ	40GHz schottky ring quad
51	SOT173	BAT15-115S	CS	40GHz schottky diode
511	SOT346	PZM5.1NB1	C	5.1V 0.3W zener
512	SOT346	PZM5.1NB2	C	5.1V 0.3W zener
513	SOT346	PZM5.1NB3	C	5.1V 0.3W zener
517	SOT23	FMMT6517		NPN
51D	SOT173	BAT15-115D	CY	40GHz schottky dual
51V	SOT346	PZM51NB	C	51V 0.3W zener
51Y	SOT89	BZV49-C51		zener.
51Y	SOT89	BZV49-C51	O	51V 1W zener
52	SOT173	BAT15-025R	CZ	4GHz schottky ring quad
52	SOT173	BAT15-025S	CS	4GHz schottky diode
520	SOT23	FMMT6520		PNP
52D	SOT173	BAT15-025D	CY	4GHz schottky dual
53	SOT23	BAT17		dioda
53s	SOT23	BAT17	C	schottky diode 4V 100mA
54	SOT23	BAT17-04		dioda-2x
549	SOT23	FMMT549		PNP
54s	SOT23	BAT17-04	D	dual series BAT17
54s	SOT323	BAT17-04W	D	dual series BAT17
55	SOT173	BAT15-055R	CZ	8GHz schottky ring quad
55	SOT173	BAT15-055S	CS	8GHz schottky diode
55	SOT23	BAT17-05		dioda-2x
551	SOT23	FMMT551		PNP
555	SOT23	FMMT555		PNP
558	SOT23	FMMT558		PNP
558	SOT23	FMMT558	N	pnp 400V 0.15A
55D	SOT173	BAT15-055D	CY	8GHz schottky dual
55s	SOT23	BAT17-05	A	dual ca BAT17

55s	SOT323	BAT17-05W	A	dual ca BAT17
56	SOT23	BAT17-06		dioda-2x
561	SOT346	PZM5.1NB1	C	5.6V 0.3W zener
562	SOT346	PZM5.1NB2	C	5.6V 0.3W zener
563	SOT346	PZM5.1NB3	C	5.6V 0.3W zener
56s	SOT23	BAT17-06	B	dual cc BAT17
56s	SOT323	BAT17-06W	B	dual cc BAT17
56V	SOT346	PZM56NB	C	56V 0.3W zener
56Y	SOT89	BZV49-C56		zener.
56Y	SOT89	BZV49-C56	O	56V 1W zener
57	SOT173	BFQ57	CX	npn 6.5GHz 16V/35mA
576	SOT23	FMMT576		PNP
57s	SOT143	BAT17-07	S	dual BAT17
58	SOT173	BFQ58	CX	npn 6.5GHz 16V/30mA
589	SOT23	FMMT589		PNP
589	SOT23	FMMT589	N	npn 30V 1A
59	SOT173	BAT15-095R	CZ	18GHz schottky ring quad
59	SOT173	BAT15-095S	CS	18GHz schottky diode
591	SOT23	FMMT591		PNP
591	SOT23	FMMT591	N	ZTX550/551
593	SOT23	FMMT593		PNP
593	SOT23	FMMT593	N	ZTX 553
596	SOT23	FMMT596		PNP
597	SOT23	FMMT597		PNP
59A	SOT23	FMMT549A		PNP
59D	SOT173	BAT15-095D	CY	18GHz schottky dual
5A	SOT23	BC807-16		PNP
5A	SOT23	BC807-16	N	BC327-16
5A	SOT23	BSS123	M	n-ch tmosfet Vds 100V
5A	SOT23	FMMD6050		dioda
5A	SOT23	FMMD6050	C	sw diode 70V 100mA
5A	SOT23	MMBD6050		dioda
5A	SOT23	MMBD6050	C	sw diode 70V 0.2A
5A	SOT23	PMBD6050		dioda
5A	SOT23	SMBD6050		dioda
5A	SOT323	BC807-16W		PNP
5A-	SOT323	BC807-16W	N	BC327-16
5A1	SOT346	PZM5.1NB2A	A	dual ca 5.1V 0.3W zener
5A6	SOT346	PZM5.6NB2A	A	dual ca 5.6V 0.3W zener
5Ap	SOT23	BC807-16	N	BC327-16
5AR	SOT23R	BC807-16R	R	BC327-16
5As	SOT23	BC807-16	N	BC327-16
5As	SOT323	BC807-16W	N	BC327-16
5At	SOT23	BC807-16	N	BC327-16
5At	SOT323	BC807-16W	N	BC327-16
5B	SOT23	BC807-25		PNP
5B	SOT23	BC807-25	N	BC327-25
5B	SOT23	FMMD6100		dioda-2x
5B	SOT23	FMMD6100	B	cc dual diode 70V 0.2A
5B	SOT23	MMBD6100		dioda-2x
5B	SOT23	MMBD6100	B	cc dual diode 70V 0.2A
5B	SOT23	MMBT4123		NPN
5B	SOT23	MMBT4123	N	2N4123
5B	SOT23	PMBD6100		dioda-2x
5B	SOT23	SMBD6100		dioda-2x
5B	SOT323	BC807-25W		PNP
5B-	SOT323	BC807-25W	N	BC327-25

5BM	SOT23	MMBD6100	B	cc dual diode 70V 0.2A
5Bp	SOT23	BC807-25	N	BC327-25
5BR	SOT23R	BC807-25R	R	BC327-25
5Bs	SC74	BC807-25U	N	BC327-25
5Bs	SOT23	BC807-25	N	BC327-25
5Bs	SOT323	BC807-25W	N	BC327-25
5Bt	SOT23	BC807-25	N	BC327-25
5Bt	SOT323	BC807-25W	N	BC327-25
5C	SOT23	BC807-40		PNP
5C	SOT23	BC807-40	N	BC327-40
5C	SOT23	FMMD7000		dioda-2x
5C	SOT23	FMMD7000	D	2 ser diodes 70V 200mA
5C	SOT23	MMBD7000		dioda
5C	SOT23	MMBD7000	D	2 ser diodes 100V 0.2A
5C	SOT23	PMBD7000		dioda-2x
5C	SOT23	SMBD7000		dioda-2x
5C	SOT323	BC807-40W		PNP
5C-	SOT323	BC807-40W	N	BC327-40
5Cp	SOT23	BC807-40	N	BC327-40
5CR	SOT23E	BC807-40R	R	BC327-40
5Cs	SOT23	BC807-40	N	BC327-40
5Cs	SOT323	BC807-40W	N	BC327-40
5Ct	SOT23	BC807-40	N	BC327-40
5Ct	SOT323	BC807-40W	N	BC327-40
5D		HD2A	B	dual cc HD2 75V 100mA
5D	SOD123	MMSD914	I	1N914
5D	SOT23	BC807		PNP
5D	SOT23	FMMD914		dioda
5D	SOT23	FMMD914	C	1N914
5D	SOT23	HD2A		dioda-2x
5D	SOT23	MMBD914		dioda
5D	SOT23	MMBD914	C	1N914
5D	SOT23	PMBD914		dioda
5D	SOT23	SMBD914		dioda
5D	SOT323	BC807W		PNP
5D-	SOT323	BC807W	N	BC327
5Dp	SOT23	BC807	N	BC327
5Dt	SOT23	BC807	N	BC327
5Dt	SOT323	BC807W	N	BC327
5E	SOT23	BC808-16		PNP
5E	SOT23	BC808-16	N	BC328-16
5E	SOT23	FMMT-A43R		NPN
5E	SOT23	YTS2906		PNP
5E	SOT23R	FMMT-A43R	R	MPSA43
5E	SOT323	BC808-16W		PNP
5ER	SOT23R	BC808-16R	R	BC328-16
5Es	SOT23	BC808-16	N	BC328-16
5Es	SOT323	BC808-16W	N	BC328-16
5F	SOT23	BC808-25		PNP
5F	SOT23	BC808-25	N	BC328-25
5F	SOT23	MMBD501		HOTCAR.dioda
5F	SOT23	MMBD501	C	MBD501 hot carrier diode
5F	SOT23	YTS2906A		PNP
5F	SOT323	BC808-25W		PNP
5FR	SOT23R	BC808-25R	R	BC328-25
5Fs	SOT23	BC808-25	N	BC328-25
5Fs	SOT323	BC808-25W	N	BC328-25

5G		MMBD353	D	dual series MBD101
5G	SOT23	BC808-40		PNP
5G	SOT23	BC808-40	N	BC328-40
5G	SOT23	MMBD352		H/Cdioda-2x
5G	SOT323	BC808-40W		PNP
5GR	SOT23R	BC808-40R	R	BC328-40
5Gs	SOT23	BC808-40	N	BC328-40
5Gs	SOT323	BC808-40W	N	BC328-40
5H	SOT23	BC808		PNP
5H	SOT23	BC808-40		PNP
5H	SOT23	MMBD4148	C	1N4148
5H	SOT23	MMBD701		HOTCAR.dioda
5H	SOT23	MMBD701	C	MBD701 UHF schottky diode
5H	SOT323	BC808W		PNP
5I		MMSD4148	C	1N4148
5I	SOT23	YTS4402		PNP
5J		FMMT38B	N	BCX38B
5J	SOT23	FMMT38B		NPN
5K	SOT23	MMBV809		VCAP
5K	SOT23	MMBV809	C	Hyperabrupt varicap
5Kp		BAP64-05	B	dual cc 3GHz RF pin diode
5L	SOT23	MMBV609		VCAP
5L	SOT23	MMBV609	B	dual cc Hyperabrupt varicap
5M	SOT23	YTS3905		PNP
5N	SOT23	MMBD452L	D	series UHF schottky diodes
5N	SOT23	YTS4126		PNP
5P		FMMT2907AR	R	2N2907A
5P	SOT23	FMMT2907RA		PNP
5R	SOT23	MMBS5060		SCR
5S	SOT23	MMBS5061		SCR
5T	SOT23	BCW66GR		NPN
5T	SOT23	MMBS5062		SCR
5T	SOT23R	BCW66GR	R	npn 45V 0.8A 350mW
5V	SOT23	BCW65BR		NPN
5V	SOT23	MMBP6028		PNP
5V1	SOT346	PZM5.1NB	C	5.1V 0.3W zener
5V6	SOT346	PZM5.6NB	C	5.6V 0.3W zener
5W	SOT23	BCW67BR		PNP
5W	SOT23	MMBP6027		PNP
5Y1	SOT89	BZV49-C5V1		zener.
5Y1	SOT89	BZV49-C5V1	O	5.1V 1W zener
5Y6	SOT89	BZV49-C5V6		zener.
5Y6	SOT89	BZV49-C5V6	O	5.6V 1W zener
5Z	SOT23	MMBPU131		PNP
6 (red)	SOD323	BBY56-03W	I	varicap
60	SOT143	BAR60		diodaPINdiodax3
604	SOT89	FCX604		NPN
605		NDS0605	M	p-ch sw mosfet 60V
60s	SOT143	BAR60	QQ	3 pin diodes
61	SOT143	BAR61		diodaPINdiodax3
610		NDS0610	M	p-ch sw mosfet 60V
614	SOT23	FMMT614		NPN
617	SOT23	FMMT617		NPN
617	SOT23	FMMT617	N	npn sw 15V 3A
618	SOT23	FMMT618		NPN
618	SOT23	FMMT618	N	npn sw 20V 2.5A
619	SOT23	FMMT617	N	npn sw 50V 2A

619	SOT23	FMMT619		NPN
61A		MMBF4117	F	n-ch jfet ultra low i/pIg
61A		MMBF4119	F	n-ch jfet ultra low i/pIg
61C		MMBF4118	F	n-ch jfet ultra low i/pIg
61J		MMBF4091	F	n-ch jfet sw/chopper
61K		MMBF4092	F	n-ch jfet sw/chopper
61L		MMBF4093	F	n-ch jfet sw/chopper
61M		MMBF4859	F	n-ch jfet sw/chopper
61N		MMBF5514	F	p-ch jfet sw/chopper
61P		MMBF5115	F	p-ch jfet sw/chopper
61Q		MMBF5516	F	p-ch jfet sw/chopper
61S		MMBF5458	F	n-ch jfet gp 2N5458
61s	SOT143	BAR61	PQ	3 pin diodes pi atten
61T		MMBF5459	F	n-ch jfet gp 2N5459
61U		MMBF5461	F	p-ch jfet gp 2N5461
61V		MMBF5462	F	p-ch jfet gp 2N5462
62	SOT143	BAT62		dioda-2x
621	SOT346	PZM6.2NB1	C	6.2V 0.3W zener
622	SOT346	PZM6.2NB2	C	6.2V 0.3W zener
623	SOT346	PZM6.2NB3	C	6.2V 0.3W zener
624	SOT23	FMMT624		NPN
625	SOT23	FMMT625		NPN
62P		MMBFJ201	F	n-ch jfet gp J201
62Q		MMBFJ202	F	n-ch jfet gp J202
62R		MMBFJ203	F	n-ch jfet gp J203
62S		MMBFJ270	F	p-ch jfet gp J270
62T		MMBFJ271	F	p-ch jfet gp J271
62V	SOT346	PZM62NB1	C	62V 0.3W zener
62Y	SOT89	BZV49-C62		zener.
62Y	SOT89	BZV49-C62	O	62V 1W zener
63	SOT23	BAT64		dioda
634	SOT23	FMMT634	N	100V 0.9A darlington npn
63Q		MMBFJ304	F	n-ch jfet vhf J304
63s	SOT23	BAT64	C	Schottky 40V 250mA gp
63s	SOT323	BAT64W	C	Schottky 40V 250mA gp
64	SOT23	BAT64-04		dioda-2x
64s	SOT23	BAT64-04	D	dual ser gp Schottky 40V250mA
64s	SOT323	BAT64-04W	D	dual ser gp Schottky 40V250mA
65	SOT23	BAT64-05		dioda-2x
651	SOT223	PZT651	N	nnp 60V 1A
65s	SOT23	BAT64-05	B	dual cc gp Schottky 40V250mA
65s	SOT323	BAT64-05W	B	dual cc gp Schottky 40V250mA
66	SOT23	BAT64-06		dioda-2x
66s	SOT23	BAT64-06	A	dual ca gp Schottky 40V250mA
66s	SOT323	BAT64-06W	A	dual ca gp Schottky 40V250mA
67		BFP67	X	nnp Rf fT 7.5GHz 10V 50mA
67	SOT143	BAT64-07		dioda-2x
67R		BFP67R	WQ	nnp Rf fT 7.5GHz 10V 50mA
67s	SOT143	BAT64-07	S	dual gp Schottky 40V 250mA
67s	SOT343	BAT64-07W	S	dual gp Schottky 40V 250mA
681	SOT346	PZM6.8NB1	C	6.8V 0.3W zener
682	SOT346	PZM6.8NB2	C	6.8V 0.3W zener
683	SOT346	PZM6.8NB1	C	6.8V 0.3W zener
68V	SOT346	PZM68NB1	C	68V 0.3W zener
68Y	SOT89	BZV49-C68		zener.
68Y	SOT89	BZV49-C68	O	68V 1W zener
69	SOT416	DTA114YE	N	pnp with 10k +47k bias R

6A	SC59	MUN2111T1		PNP
6A	SOT23	BC817-16		NPN
6A	SOT23	BC817-16	N	BC337-16
6A	SOT23	MMBF4416		FET
6A	SOT23	MMBF4416	F	2N4416 n-ch vhf jfet
6A	SOT23	MUN2111	N	pnp gp with 10k+10k biasres
6A	SOT323	BC817-16W		NPN
6A	SOT323	MUN5111	N	MUN2111 in
6A	SOT323	MUN5111T1		PNP
6A-	SOT323	BC817-16W	N	BC337-16
6A2	SOT346	PZM6.2NB2A	A	dual ca 6.2V 0.3W zener
6A8	SOT346	PZM6.8NB2A	A	dual ca 6.8V 0.3W zener
6Ap	SOT23	BC817-16W	N	BC337-16
6AR	SOT23	BC817-16R	R	BC337-16
6As	SOT23	BC817-16	N	BC337-16
6As	SOT323	BC817-16	N	BC337-16
6At	SOT23	BC817-16	N	BC337-16
6At	SOT323	BC817-16W	N	BC337-16
6B	SC59	MUN2112T1		PNP
6B	SOT23	BC817-25		NPN
6B	SOT23	BC817-25	N	BC337-25
6B	SOT23	MMBF5484		FET
6B	SOT23	MMBF5484	F	n-ch jfet 2N5484
6B	SOT23	MUN2112	N	pnp gp with 22k+22k biasres
6B	SOT23	PMBF5484		FET
6B	SOT323	BC817-25W		NPN
6B	SOT323	MUN5112	N	MUN2112
6B	SOT323	MUN5112T1		PNP
6B-	SOT323	BC817-25W	N	BC337-25
6Bp	SOT23	BC817-25	N	BC337-25
6BR	SOT23R	BC817-25R	R	BC337-25
6Bs	SOT23	BC817-25	N	BC337-25
6Bs	SOT323	BC817-25W	N	BC337-25
6Bt	SOT23	BC817-25	N	BC337-25
6Bt	SOT323	BC817-25W	N	BC337-25
6C	SC59	MUN2113T1		PNP
6C	SOT23	BC817-40		NPN
6C	SOT23	BC817-40	N	BC337-40
6C	SOT23	MMBFU310		FET
6C	SOT23	MMBFU310	F	n-ch jfet U310
6C	SOT23	MUN2113	N	pnp gp with 47k+47k biasres
6C	SOT323	BC817-40W		NPN
6C	SOT323	MUN5113	N	MUN2113
6C	SOT323	MUN5113T1		PNP
6C-	SOT323	BC817-40W	N	BC337-40
6Cp	SOT23	BC817-40	N	BC337-40
6CR	SOT23R	BC817-40R	R	BC337-40
6Cs	SOT23	BC817-40	N	BC337-40
6Cs	SOT323	BC817-40W	N	BC337-40
6Ct	SOT23	BC817-40	N	BC337-40
6Ct	SOT323	BC817-40W	N	BC337-40
6D	SC59	MUN2114T1		PNP
6D	SOT23	BC817		NPN
6D	SOT23	MMBF5457		FET
6D	SOT23	MMBF5457	F	2N5457 n-ch jfet
6D	SOT23	MUN2114	N	pnp gp with 10k+47k biasres
6D	SOT323	BC817W		NPN

6D	SOT323	MUN5114	N	MUN21141
6D	SOT323	MUN5114T1		PNP
6D-	SOT323	BC817W	N	BC337
6Dp	SOT23	BC817	N	BC337
6Dt	SOT23	BC817	N	BC337
6Dt	SOT323	BC817W	N	BC337
6E	SOT23	BC818-16		NPN
6E	SOT23	BC818-16	N	BC338-16
6E	SOT23	FMMT-A93R		PNP
6E	SOT23	MMBF5460		FET
6E	SOT23	MMBF5460	F	p-ch jfet 2N5460
6E	SOT23	MUN2115	N	pnp gp with 10k Wypr. res
6E	SOT23R	FMMT-A93R	R	MPSA93
6E	SOT323	BC818-16W		NPN
6E	SOT323	MUN5115	N	MUN2115
6ER	SOT23	BC818-16R	R	BC338-16
6Es	SOT23	BC818-16	N	BC338-16
6Es	SOT323	BC818-16W	N	BC338-16
6F	SOT23	BC818-25		NPN
6F	SOT23	BC818-25	N	BC338-25
6F	SOT23	FMMV2102		VCAPdioda
6F	SOT23	MMBF4860		FET
6F	SOT23	MMBF4860	F	2N4860 n-ch jfet
6F	SOT23	MUN2116	N	pnp gp with 4k7 Wypr. res
6F	SOT323	BC818-25W		NPN
6F	SOT323	MUN5116	N	MUN2116
6FR	SOT23R	BC818-25R	R	BC338-25
6Fs	SOT23	BC818-25	N	BC338-25
6Fs	SOT323	BC818-25W	N	BC338-25
6G	>SOT23	BC818-40	N	BC338-40
6G	SOT23	BC818-40		NPN
6G	SOT23	FMMY2103		VCAPdioda
6G	SOT23	MMBF4393		FET
6G	SOT23	MMBF4393	F	n-ch jfet 2N4393
6G	SOT23	MUN2130	N	pnp gp with 1k0+1k0 biasres
6G	SOT23	PMBF4393		FET
6G	SOT323	BC818-40W		NPN
6G	SOT323	MUN5130	N	ial">MUN2130
6GR	SOT23	BC818-40R	R	BC338-40
6Gs	SOT23	BC818-40	N	BC338-40
6Gs	SOT323	BC818-40W	N	BC338-40
6H	SOT23	BC818		NPN
6H	SOT23	BC818-40		NPN
6H	SOT23	FMMV2104		VCAPdioda
6H	SOT23	MMBD354		H/Cdioda-2x
6H	SOT23	MMBF5486		FET
6H	SOT23	MMBF5486	F	n-ch jfet 2N5486
6H	SOT23	MUN2131	N	pnp gp with 2k2+2k2 biasres
6H	SOT23	PMBF5486		FET
6H	SOT323	BC818W		NPN
6H	SOT323	MUN5131	N	MUN2121
6J	SOT23	FMMV2105		VCAPdioda
6J	SOT23	MMBF4391		FET
6J	SOT23	MMBF4391	F	n-ch jfet 2N4391
6J	SOT23	MUN2132	N	pnp gp with 4k7+4k7 biasres
6J	SOT23	PMBF4391		FET
6J	SOT323	MUN5132	N	MUN2132

6K	SOT23	FMMV2106		VCAPdioda
6K	SOT23	MMBF4392		FET
6K	SOT23	MMBF4932	F	n-ch jfet 2N4932
6K	SOT23	MUN2133	N	pnv gp with 4k7+47k biasres
6K	SOT23	PMBF4392		FET
6K	SOT323	MUN5133	N	MUN2133
6L	SOT23	FMMV2107		VCAPdioda
6L	SOT23	MMBF5459		FET
6L	SOT23	MMBF5459	F	n-ch jfet 2N5459
6L	SOT23	MUN2134	N	pnv gp with 22k+47k biasres
6L	SOT323	MUN5134	N	MUN2134
6M	SOT23	FMMV2108		VCAPdioda
6M	SOT23	MMBF5485	F	n-ch jfet vhf 2N5485
6M	SOT23	PMBF5485		FET
6N	SOT23	FMMV2109		VCAPdioda
6N	SOT23	MMBF4861	F	n-ch jfet sw/chopper
6P		MMBFJ111	F	J111 n-ch jfet
6P		MMBFJ113	F	J113 n-ch jfet
6P	SOT23	BCX71HR		PNP
6P	SOT23R	BCX71HR	R	BCX79
6Q		MMBFJ305	F	n-ch jfet vhf J305
6R		MMBFJ112	F	J112 n-ch jfet
6R	SOT23	FMMV2101		VCAPdioda
6S		MMSD71	C	gp Si diode
6S	SOT23	PMBFJ176		FET
6T		BCW68GR	R	pnv 45V 0.8A 350mW
6T	SOT23	BCW68GR		PNP
6T	SOT23	MMBFJ310		FET
6T	SOT23	MMBFJ310	F	uhf n-ch jfet J310
6U	SOT23	MMBFJ309		FET
6U	SOT23	MMBFJ309	F	uhf n-ch jfet J309
6V		MMBFJ174	F	J174 p-ch jfet sw/chopper
6V	SOT23	BCW65CR		NPN
6V2	SOT346	PZM6.2NB	C	6.2V 0.3W zener
6V8	SOT346	PZM6.8NB	C	6.8V 0.3W zener
6W	SOT23	BCW67CR		PNP
6W	SOT23	MMBFJ175		FET
6W	SOT23	MMBFJ175	F	J175 p-ch jfet
6W	SOT23	PMBFJ175		FET
6X		MMBFJ176	F	J176 p-ch jfet sw/chopper
6X	SOT23	PMBFJ174		FET
6Y	SOT23	MMBFJ177		FET
6Y	SOT23	MMBFJ177	F	J177 p-ch jfet
6Y	SOT23	PMBFJ177		FET
6Y2	SOT89	BZV49-C6V2		zener.
6Y2	SOT89	BZV49-C6V2	O	6.2V 1W zener
6Y8	SOT89	BZV49-C6V8		zener.
6Y8	SOT89	BZV49-C6V8	O	6.8V 1W zener
6Z	SOT23	MMBF170		FET
6Z	SOT23	MMBF170	M	tmosfet n-ch Vds 60V
7 (white)	SCD80	BBY55-02W	I	UHF Varicap
70	SOT173	BFQ70	CX	npv FT 5.2GHz 15V 35mA
702	SOT23	2N7002		MOSFET
702	SOT23	2N7002	M	n-ch mosfet 60V 0.11A
704	SOT89	FCX704		PNP
71	SOT173	BFQ71	CX	npv FT 5.2GHz 15V 30mA
712	SOT23	NDS7002A	M	n-ch mosfet 60V 0.28A

717	SOT23	FMMT717		PNP
717	SOT23	FMMT717	N	pnp sw 0.625W 2.5A 12V
718	SOT23	FMMT718		PNP
718	SOT23	FMMT718	N	pnp sw 0.625W 1.5A 20V
72	SOT173	BFQ72	CX	npn fT 5.1GHz 15V 50mA
72	SOT23	2N7002		MOSFET
72	SOT23	2N7002	M	n-ch mosfet 60V 170mA
720	SOT23	FMMT720		PNP
720	SOT23	FMMT720	N	pnp sw 0.625W 1.5A
722	SOT23	FMMT722		PNP
723	SOT23	FMMT723		PNP
73		2SC5004	N	npn RF 5GHz @5V 5mA
73	SOT173	BFQ73	CX	npn fT 4.9GHz 15V 75mA
73	SOT23	BAS70		dioda
73-	SOT323	BAS70W	C	schottky diode 70V 50mA
73p	SOT23	BAS70	C	schottky diode 70V 50mA
73S	SOT173	BFQ73S	CX	npn fT 5.3GHz 15V 100mA
73s	SOT23	BAS70	C	schottky diode 70V 50mA
73t	SOT23	BAS70	C	schottky diode 70V 50mA
73t	SOT323	BAS70W	C	schottky diode 70V 50mA
74		2SC5005	N	npn RF 5.5GHz @5V 5mA
74	SOT173	BFQ74	CX	npn fT 6GHz 16V 35mA
74	SOT23	BAS70-04		dioda-2x
74p	SOT23	BAS70-04	D	dual series BAS70
74s	SOT23	BAS70-04	D	dual series BAS70
74t	SOT23	BAS70-04	D	dual series BAS70
74t	SOT323	BAS70-04W	D	dual series BAS70
75	SOT173	BFQ75	CX	pnp fT 5GHz 12V 50mA
75	SOT23	BAS70-05		dioda-2x
75-	SOT323	BAS70-05W	B	dual cc BAS70
751	SOT346	PZM7.5NB1	C	7.5V 0.3W zener
752	SOT346	PZM7.5NB2	C	7.5V 0.3W zener
753	SOT346	PZM7.5NB3	C	7.5V 0.3W zener
75p	SOT23	BAS70-05	B	dual cc BAS70
75s	SOT23	BAS70-05	B	dual cc BAS70
75s	SOT323	BAS70-05W	B	dual cc BAS70
75t	SOT23	BAS70-05	B	dual cc BAS70
75t	SOT323	BAS70-05W	B	dual cc BAS70
75Y	SOT89	BZV49-C75		zener.
75Y	SOT89	BZV49-C75	O	75V 1W zener
76	SOT173	BFQ76	CX	npn fT 5GHz 15V 30mA
76	SOT23	BAS70-06		dioda-2x
76-	SOT323	BAS70-06W	A	dual ca BAS70
76p	SOT23	BAS70-06	A	dual ca BAS70
76s	SOT23	BAS70-06	A	dual ca BAS70
76t	SOT23	BAS70-06	A	dual ca BAS70
76t	SOT323	BAS70-06W	A	dual ca BAS70
77	SOT143	BAS70-07		dioda-2x
77	SOT173	BFQ77	CX	npn fT 7GHz 15V 20mA
779	SOT23	S779T		PNP
77s	SOT143	BAS70-07	S	dual BAS70
77s	SOT343	BAS70-07	S	dual BAS70
78	SOT23	MMBT4258	N	pnp sw fT 700MHz
7A	SOT23	MMBR901		NPN
7A	SOT23	MMBR901	N	npn RF MRF901
7A	SOT363	MUN5211DW1	DN	dual npn 10k+10k bias res
7A5	SOT346	PZM7.5NB2A	A	dual ca 7.5V 0.3W zener

7B	SOT23	MMBR920		NPN
7B	SOT23	MMBR920	N	npn RF ?MRF920
7B	SOT363	MUN5212DW1	DN	dual npn 22k+22k bias res
7C	SOT23	MMBR930		NPN
7C	SOT23	MMBR930	N	npn RF ?MRF930
7C	SOT23	YTS4123		NPN
7C	SOT363	MUN5213DW1	DN	dual npn 47k+47k bias res
7D		HD4A	A	ca dual HD3A
7D	SOT23	HD4A		dioda-2x
7D	SOT23	MMBR931		NPN
7D	SOT23	MMBR931	N	npn RF ?MRF931
7D	SOT363	MUN5214DW1	DN	dual npn 10k+47k bias res
7E		FMMT-A42R	R	MPSA42
7E		MMBR2060	N	npn RF ft 1GHz Vce 30V 50mA
7E	SOT23	FMMT-A42R		NPN
7E	SOT23	MMBR2060		NPN
7E	SOT23	YTS2221		NPN
7E	SOT363	MUN5215DW1	DN	dual npn 10k Wypr. res
7F		MMBR4957	N	npn RF ft 1.2GHz 30V 30mA
7F	SOT23	MMBR4957		PNP
7F	SOT23	YTS2221A		NPN
7F	SOT363	MUN5211DW1	DN	dual npn 4k7 Wypr. res
7G	SOT23	MMBR5031		NPN
7G	SOT23	MMBR5031	N	npn RF ft 1GHz 10V 20mA
7G	SOT363	MUN5230DW1	DN	dual npn 1k0+1k0 bias res
7H	SOT23	MMBR5179		NPN
7H	SOT23	MMBR5179	N	npn RF 2N5179/BFY90
7H	SOT363	MUN5231DW1	DN	dual npn 2k2+2k2 bias res
7I	SOT23	YTS4400		NPN
7J	SOT23	FMMT38C		NPN
7J	SOT23	FMMT38C	N	BCX38C
7J	SOT363	MUN5232DW1	DN	dual npn 4k7+4k7 bias res
7K		MMBR2857	N	npn RF ft 1GHz Vce 15V 40mA
7K	SOT23	MMBR2857		NPN
7K	SOT363	MUN5233DW1	DN	dual npn 4k7+47k bias res
7L	SOT3636	MUN5234DW1	DN	dual npn 22k+47k bias res
7M	SOT23	BCW66HR		NPN
7M	SOT23	MMBR521L	N	npn RF MRF521
7M	SOT363	MUN5235DW1	DN	dual npn 2k2+47k bias res
7N	SOT23	BCW68HR		PNP
7N	SOT23	MMBR941BL	N	npn RF ft 8GHz MRF941
7P	SOT23	BCW66FR		NPN
7P	SOT23	MMBR911		NPN
7P	SOT23	MMBR911L	N	npn RF ft 6GHz MRF911
7P	SOT23R	BCW66FR	R	npn 45V 0.8A 350mW
7R		MMBR536	N	npn RF MRF536
7R	SOT23	MMBR536		PNP
7T	SOT23	BCW68FR		PNP
7V5	SOT346	PZM7.5NB	C	7.5V 0.3W zener
7X	SOT23	MMBR571		NPN
7X	SOT23	MMBR571L	N	npn RF ft 8GHz MRF571
7Y	SOT23	MMBR941L	N	npn RF ft 8GHz MRF941
7Y5	SOT89	BZV49-C7V5		zener.
7Y5	SOT89	BZV49-C7V5	O	7.5V 1W zener
7Z	SOT23	MMBR951L	N	npn RF ft7.5GHz MRF951
8(yellow)	SOD323	BBY58-03W	I	varicap
81A	SOT23	FMMZ5250		zener.

81A	SOT23	MMBZ5250		zener.
81A	SOT23	MMBZ5250B	C	20V zener 0.225W
81A	SOT23	PMBZ5250B		zener.dioda
81A	SOT23	PMBZ5250B	C	20V zener 0.225W
81B	SOT23	FMMZ5251		zener.
81B	SOT23	MMBZ5251		zener.
81B	SOT23	MMBZ5251B	C	22V zener 0.225W
81B	SOT23	PMBZ5251B		zener.dioda
81B	SOT23	PMBZ5251B	C	22V zener 0.225W
81C	SOT23	FMMZ5252		zener.
81C	SOT23	MMBZ5252		zener.
81C	SOT23	MMBZ5252B	C	24V zener 0.225W
81C	SOT23	PMBZ5252B		zener.dioda
81C	SOT23	PMBZ5252B	C	24V zener 0.225W
81D	SOT23	FMMZ5253		zener.
81D	SOT23	MMBZ5253		zener.
81D	SOT23	MMBZ5253B	C	25V zener 0.225W
81D	SOT23	PMBZ5253B		zener.dioda
81D	SOT23	PMBZ5253B	C	25V zener 0.225W
81E	SOT23	FMMZ5254		zener.
81E	SOT23	MMBZ5254		zener.
81E	SOT23	MMBZ5254B	C	27V zener 0.225W
81E	SOT23	PMBZ5254B		zener.dioda
81E	SOT23	PMBZ5254B	C	27V zener 0.225W
81F	SOT23	FMMZ5255		zener.
81F	SOT23	MMBZ5255		zener.
81F	SOT23	MMBZ5255B	C	28V zener 0.225W
81F	SOT23	PMBZ5255B		zener.dioda
81F	SOT23	PMBZ5255B	C	28V zener 0.225W
81G	SOT23	FMMZ5256		zener.
81G	SOT23	MMBZ5256		zener.
81G	SOT23	MMBZ5256B	C	30V zener 0.225W
81G	SOT23	PMBZ5256B		zener.dioda
81G	SOT23	PMBZ5256B	C	30V zener 0.225W
81H	SOT23	FMMZ5257		zener.
81H	SOT23	MMBZ5257		zener.
81H	SOT23	MMBZ5257B	C	33V zener 0.225W
81H	SOT23	PMBZ5257B		zener.dioda
81H	SOT23	PMBZ5257B	C	33V zener 0.225W
82		2SC5009	N	npn RF FT 12GHz @ 3V 5mA
821	SOT23	PZM8.2NB1	C	8.2V 0.3W zener
822		S822T	X	npn RF FT 5.2GHz 6V 8mA
822	SOT23	PZM8.2NB2	C	8.2V 0.3W zener
823	SOT23	PZM8.2NB3	C	8.2V 0.3W zener
82P		BFP182T	X	npn RF FT 7.5GHz 10V 35mA
83		2SC5010	N	npn RF FT 12GHz 3V 10mA
83		MMBT4400	N	npn 2N4400
83	SOT23	BAT68		dioda
83P		BFP183T	X	npn RF FT 7.4GHz 10V 65mA
83s	SOT23	BAT68	C	gp Schottky 8V 130mA
83s	SOT323	BAT68W	C	gp Schottky 8V 130mA
84	SOT23	BAT68-04		dioda-2x
84s	SOT23	BAT68-04	D	dual ser gp Schottky 8V130mA
84s	SOT323	BAT68-04W	D	dual ser gp Schottky 8V130mA
85		MMBD1701	C	Fast Si diode 30V 50mA
85	SOT23	BAT68-05		dioda-2x
852		S852T	N	npn RF FT 5.2GHz 6V 8mA

85s	SOT23	BAT68-05	B	gp dual cc Schottky 8V 130mA
85s	SOT323	BAT68-05W	B	gp dual cc Schottky 8V 130mA
86		MMBD1702	K	Fast Si diode 30V 50mA
86	SOT23	BAT68-06		dioda-2x
86s	SOT23	BAT68-06	A	gp dual ca Schottky 8V 130mA
86s	SOT323	BAT68-06W	A	gp dual ca Schottky 8V 130mA
87		MMBD1703	D	dual ser MMBD1701
879	SOT23	S879T		PNP
87s	SOT143	BAT68-07	S	gp dual Schottky 8V 130mA
88		MMBD1704	B	dual cc MMBD1701
888		S888T	W	n-ch dg uhf mosfet
89		MMBD1705	A	dual ca MMBD1701
8A	SC59	MUN2211T1		NPN
8A	SOT23	MMBZ5226B	C	3.3V zener 0.225W
8A	SOT23	MUN2211	N	npn gp with 10k+10k biasres
8A	SOT23	PMBZ5226B		zener.dioda
8A	SOT323	MUN5211	N	MUN2211
8A	SOT323	MUN5211T1		NPN
8A2	SOT23	PZM8.2NB2A	C	dual ca 8.2V 0.3W zener
8B	SC59	MUN2212T1		NPN
8B	SOT23	MMBZ5227		zener.
8B	SOT23	MMBZ5227B	C	3.6V zener 0.225W
8B	SOT23	MUN2212	N	npn gp with 22k+22k biasres
8B	SOT23	PMBZ5227B		zener.dioda
8B	SOT323	MUN5212	N	MUN2212
8B	SOT323	MUN5212T1		NPN
8C	SC59	MUN2213T1		NPN
8C	SOT23	MMBZ5228		zener.
8C	SOT23	MMBZ5228B	C	3.9V zener 0.225W
8C	SOT23	MUN2213	N	npn gp with 47k+47k biasres
8C	SOT23	PMBZ5228B		zener.dioda
8C	SOT323	MUN5213	N	MUN2213
8C	SOT323	MUN5213T1		NPN
8D	SC59	MUN2214T1		NPN
8D	SOT23	MMBZ5229		zener.
8D	SOT23	MUN2214	N	npn gp with 10k+47k biasres
8D	SOT23	PMBZ5229B		zener.dioda
8D	SOT323	MUN5214	N	MUN2214
8D	SOT323	MUN5214T1		NPN
8E	SOT23	FMMT-A92R		PNP
8E	SOT23	MMBZ5230		zener.
8E	SOT23	MMBZ5230B	C	4.7V zener 0.225W
8E	SOT23	MUN2215	N	npn gp with 10k Wypr. res
8E	SOT23	PMBZ5230B		zener.dioda
8E	SOT23R	FMMT-A92R	R	MPSA92
8E	SOT323	MUN5215	N	MUN2215
8F	SOT23	MMBZ5231		zener.
8F	SOT23	MMBZ5231B	C	5.1V zener 0.225W
8F	SOT23	MUN2216	N	npn gp with 4k7 Wypr. resr
8F	SOT23	PMBZ5231B		zener.dioda
8F	SOT323	MUN5216	N	MUN2216
8G	SOT23	FMMZ5232		zener.
8G	SOT23	MMBZ5232		zener.
8G	SOT23	MMBZ5232B	C	5.6V zener 0.225W
8G	SOT23	MUN2230	N	npn gp with 1k0+1k0 biasres
8G	SOT23	PMBZ5232B		zener.dioda
8G	SOT323	MUN5230	N	MUN2230

8H	SOT23	FMMZ5233		zener.
8H	SOT23	MMBZ5233		zener.
8H	SOT23	MMBZ5233B	C	6.0V zener 0.225W
8H	SOT23	MUN2231	N	npn gp with 2k2+2k2 biasres
8H	SOT23	PMBZ5233B		zener.dioda
8H	SOT323	MUN5231	N	MUN223
8J	SOT23	FMMZ5234		zener.
8J	SOT23	MMBZ5234		zener.
8J	SOT23	MMBZ5234B	C	6.2V zener 0.225W
8J	SOT23	MUN2232	N	npn gp with 4k7+4k7 biasres
8J	SOT23	PMBZ5234B		zener.dioda
8J	SOT323	MUN5232	N	MUN2232
8K	SOT23	FMMZ5235		zener.
8K	SOT23	MMBZ5235		zener.
8K	SOT23	MMBZ5235B	C	6.8V zener 0.225W
8K	SOT23	MUN2233	N	npn gp with 4k7+47k biasres
8K	SOT23	PMBZ5235B		zener.dioda
8K	SOT323	MUN5233	N	MUN2233
8L	SOT23	FMMZ5236		zener.
8L	SOT23	MMBZ5236		zener.dioda
8L	SOT23	MMBZ5236B	C	7.5V zener 0.225W
8L	SOT23	MUN2234	N	npn gp with 22k+47k biasres
8L	SOT23	PMBZ5236B		zener.dioda
8L	SOT323	MUN5234	N	MUN2234
8M	SOT23	FMMZ5237		zener.
8M	SOT23	MMBZ5237		zener.
8M	SOT23	MMBZ5237B	C	8.2V zener 0.225W
8M	SOT23	PMBZ5237B		zener.dioda
8N	SOT23	FMMZ5238		zener.
8N	SOT23	MMBZ5238		zener.
8N	SOT23	MMBZ5238B	C	8.7V zener 0.225W
8N	SOT23	PMBZ5238B		zener.dioda
8P	SOT23	FMMZ5239		zener.
8P	SOT23	MMBZ5239		zener.
8P	SOT23	MMBZ5239B	C	9.1V zener 0.225W
8P	SOT23	PMBZ5239B		zener.dioda
8Q	SOT23	FMMZ5240		zener.
8Q	SOT23	MMBZ5240		zener.
8Q	SOT23	MMBZ5240B	C	10V zener 0.225W
8Q	SOT23	PMBZ5240B		zener.dioda
8R	SOT23	FMMZ5241		zener.
8R	SOT23	MMBZ5241		zener.
8R	SOT23	MMBZ5241B	C	11V zener 0.225W
8R	SOT23	PMBZ5241B		zener.dioda
8S	SOT23	FMMZ5242		zener.
8S	SOT23	MMBZ5242		zener.
8S	SOT23	MMBZ5242B	C	12V zener 0.225W
8S	SOT23	PMBZ5242B		zener.dioda
8T	SOT23	FMMZ5243		zener.
8T	SOT23	MMBZ5243		zener.
8T	SOT23	MMBZ5243B	C	13V zener 0.225W
8T	SOT23	PMBZ5243B		zener.dioda
8U	SOT23	FMMZ5244		zener.
8U	SOT23	MMBZ5244		zener.
8U	SOT23	MMBZ5244B	C	14V zener 0.225W
8U	SOT23	PMBZ5244B		zener.dioda
8V	SOT23	FMMZ5245		zener.

8V	SOT23	MMBZ5245		zener.
8V	SOT23	MMBZ5245B	C	15V zener 0.225W
8V	SOT23	PMBZ5245B		zener.dioda
8V2	SOT23	PZM8.2NB	C	8.2V 0.3W zener
8W	SOT23	FMMZ5246		zener.
8W	SOT23	MMBZ5246		zener.
8W	SOT23	MMBZ5246B	C	16V zener 0.225W
8W	SOT23	PMBZ5246B		zener.dioda
8X	SOT23	FMMZ5247		zener.
8X	SOT23	MMBZ5247		zener.
8X	SOT23	MMBZ5247B	C	17V zener 0.225W
8X	SOT23	PMBZ5247B		zener.dioda
8Y	SOT23	FMMZ5248		zener.
8Y	SOT23	MMBZ5248		zener.
8Y	SOT23	MMBZ5248B	C	18V zener 0.225W
8Y	SOT23	PMBZ5248B		zener.dioda
8Y2	SOT89	BZV49-C8V2		zener.
8Y2	SOT89	BZV49-C8V2	O	8.2V 1W zener
8Z	SOT23	FMMZ5249		zener.
8Z	SOT23	MMBZ5249		zener.
8Z	SOT23	MMBZ5249B	C	19V zener 0.225W
8Z	SOT23	PMBZ5249B		zener.dioda
9	SOT23	BC849	N	BC 549B
911	SOT346	PZM9.1NB1	C	9.1V 0.3W zener
912	SOT346	PZM9.1NB2	C	9.1V 0.3W zener
913	SOT346	PZM9.1NB3	C	9.1V 0.3W zener
91A	SOT23	FMMT591A		PNP
91A	SOT23	FMMT591A	N	pnnp 40V 1A 0.5W fT 150 MHz
92V		BFP92A	W	npn RF 6GHz 16V 30mA
94		DTA114T	N	pnnp sw 50V 100mA +Wypr.res
95		DTA124T	N	pnnp sw 50V 100mA + Wypr.res
97	SOT143	BCV65		NPN/PNP
98	SOT143	BCV65B		NPN/PNP
9A	SOT23	FMMT2369RA		NPN
9A	SOT23	PLVA650A		dioda
9A	SOT23	PLVA650A	C	5.0V avalanche reg diode
9A1	SOT346	PZM9.1NB2A	A	dual ca 9.1V 0.3W zener
9B	SOT23	PLVA653A		dioda
9B	SOT23	PLVA653A	C	5.3V avalanche reg diode
9C	SOT23	PLVA656A		dioda
9C	SOT23	PLVA656A	C	5.6V avalanche reg diode
9D	SOT23	PLVA659A		dioda
9D	SOT23	PLVA659A	C	5.9V avalanche reg diode
9E	SOT23	PLVA662A	C	6.2V avalanche reg diode
9E	SOT23	PLVA662A		dioda
9F	SOT23	PLVA665A		dioda
9F	SOT23	PLVA665A	C	6.5V avalanche reg diode
9G	SOT23	PLVA668A		dioda
9G	SOT23	PLVA668A	C	6.8V avalanche reg diode
9J	SOT23	PLVA2650A	A	dual ca 5.0V reg diode
9K	SOT23	PLVA2653A	A	dual ca 5.3V reg diode
9L	SOT23	PLVA2656A	A	dual 5.60V reg diode
9M	SOT23	PLVA2659A	A	dual ca 5.9V reg diode
9N	SOT23	PLVA2662A	A	dual ca 6.2V reg diode
9O	SOT23	PLVA2665A	A	dual ca 6.5V reg diode
9P	SOT23	BCX70HR		NPN
9P	SOT23	PLVA2668A	A	dual ca 6.8V reg diode

9R	SOT23	FMMT2369R		NPN
9V1	SOT346	PZM9.1NB	C	9.1V 0.3W zener
9Y1	SOT89	BZV49-C9V1		zener.
9Y1	SOT89	BZV49-C9V1	O	9.1V 1W zener
A	SCD80	BA892	I	35V 100mA pin
A	SOT323	MRF947	N	nnp RF 8 GHz
A	SOT89	2SA1200		PNP
A	USM	1SS355	I	100V 50mA sw
A0	SOT23	HSMS-2800	C	HP2800 schottky
A0	SOT323	HSMS-280B	C	HP2800 schottky
A03		VAM-03	AQ	modamp MAR 3 Similar
A06		VAM-06	AQ	modamp MAR 6 Similar
A07		VAM-07	AQ	modamp MAR 7 Similar
A1		HSMS-2801	K	HP2800 schottky
A1	SOT23	BAW56		dioda-2x
A1	SOT23	BAW56	A	dual ca BAW62 (1N4148)
A1	SOT323	BAW56W		dioda-2x
A1	SOT323	BAW56W	A	dual ca BAW62 (1N4148)
A11	SOT23	MMBD1501A	C	180V 200mA diode
A13	SOT23	MMBD1503A	D	180V 200mA dual diode series
A14	SOT23	MMBD1504A	B	180V 200mA dual diode cc
A15	SOT23	MMBD1505A	A	180V 200mA dual diode ca
A1p	SOT23	BAW56	A	dual ca BAW62 (1N4148)
A1s	SC74	BAW56U	A	dual ca BAW62 (1N4148)
A1s	SOT23	BAW56	A	dual ca BAW62 (1N4148)
A1s	SOT323	BAW56W	A	dual ca BAW62 (1N4148)
A1t	SOT363	BAW56S		dual ca BAW62 (1N4148)
A1t	SOT416	BAW56T	A	dual ca BAW62 (1N4148)
A1X		MBAW56	A	ditto
A2	SOT143	CFY30		GaAsFET
A2	SOT143	CFY30	CQ	n-ch GaAsfet 6 GHz
A2	SOT23	BAT18		dioda
A2	SOT23	BAT18	C	BA482
A2	SOT23	FMMD2836		dioda-2x
A2	SOT23	HSMS-2802	D	dual HP2800
A2	SOT23	MMBD2836		dioda-2x
A2	SOT23	MMBD2836	A	dual ca sw diode 75V
A2	SOT23	PMBD2836		dioda-2x
A2	SOT23	SMBD2836		dioda-2x
A2	SOT323	HSMS-280C	D	dual HP2800
A2	SOT363	MBT3906DW1	DO	dual 2N3906
A22	SOD27	BAS21	C	BAV21
A2s	SOT23	BAT18	C	BA482
A2X	SOT23	MMBD2836	A	dual ca sw 75V 100mA 15ns
A3		BAS16	C	Si sw 75V 100mA
A3	SOD323	BAP64-03	I	3 GHz pin diode
A3	SOT23	BAS16		dioda
A3	SOT23	BAT17		dioda
A3	SOT23	BAT17	C	BA481
A3	SOT23	HSMS-2803	D	HP2800 ser pair
A3	SOT23	MMBD1005	A	dual ca Si diode low leakage
A3	SOT23	MMBD2835		dioda-2x
A3	SOT23	PMBD2835		dioda-2x
A3	SOT23	SMBD2835		dioda-2x
A3	SOT363	MBT3906DW	N	dual 2N3906
A3p	SOT23	BAT17	C	BA481
A3T	SC59	1PS181		dioda-2x

A3t	SOT23	BAT17	C	BA481
A3X	SOT23	MMBD2835	A	dual ca sw 35V 100mA 15nS
A4	SOT23	BAV70		dioda-2x
A4	SOT23	HSMS-2804	B	dual cc HP2800 schottky
A4	SOT23	SMBD2838		diodax2
A4	SOT323	BAV70W		diodax2
A4	SOT323	BAV70W	B	dual cc BAW62
A4p	SOT23	BAV70	B	dual cc BAW62
A4s	SC74	BAV70U	B	dual cc BAW62
A4s	SOT23	BAV70	B	dual cc BAW62
A4s	SOT323	BAV70W	B	dual cc BAW62
A4s	SOT416	BAV70T	B	dual cc BAW62
A4t	SOT23	BAV70	B	dual cc BAW62
A4t	SOT363	BAV70	B	dual cc BAW62
A4X		MBAV70	B	ditto
A5	SOD323	BAP51-03	I	GP RF pin diode
A5	SOT143	HSMS-2805	S	dual HP2800 schottky
A5	SOT23	FMMD2837		dioda-2x
A5	SOT23	MMBD1010	B	dual cc Si diodes
A5	SOT23	MMBD2837		dioda-2x
A5	SOT23	MMBD2837	B	dual cc diodes 30V 150mA
A5	SOT23	PMBD2837		dioda-2x
A5	SOT23	SMBD2837		dioda-2x
A51	SOT143	BRY62		
A51	SOT23	BRY62		PROGUJT
A5p	SOT143	BRY61		
A5t	SOT143	BRY61		
A6	SOD110	BAS216	I	BAW62 (1N4148)
A6	SOT23	BAS16		dioda
A6	SOT23	FMMD2838		dioda-2x
A6	SOT23	MMBD2836	B	dual sw diode cc 75V
A6	SOT23	MMBD2838		dioda-2x
A6	SOT23	PMBD2838		dioda-2x
A6	SOT323	BAS16W		dioda
A6	SOT323	BAS16W	C	BAW62 (1N4148)
A6	SOT416	BAS16T	C	BAW62 (1N4148)
A61	SOT143	BAS28		diodax2
A6A	SOT23	MMUN2111	N	pnv gp with 10k+10k biasres
A6A	SOT23	MMUN2111T1		PNP
A6B	SOT23	MMUN2112	N	pnv gp with 22k+22k biasres
A6B	SOT23	MMUN2112T1		PNP
A6C	SOT23	MMUN2113	N	pnv gp with 47k+47k biasres
A6C	SOT23	MMUN2113T1		PNP
A6D	SOT23	MMUN2114	N	pnv gp with 10k+10k biasres
A6D	SOT23	MMUN2114T1		PNP
A6E	SOT23	MMUN2115	N	pnv gp with 10k Wypr. res
A6F	SOT23	MMUN2116	N	pnv gp with 4k7 Wypr. res
A6G	SOT23	MMUN2130	N	pnv gp with 1k0+1k0 biasres
A6H	SOT23	MMUN2131	N	pnv gp with 2k2+2k2 biasres
A6J	SOT23	MMUN2132	N	pnv gp with 4k7+4k7 biasres
A6K	SOT23	MMUN2133	N	pnv gp with 4k7+47k biasres
A6L	SOT23	MMUN2134	N	pnv gp with 4k7+47k biasres
A6p	SOD323	BAS316	I	BAW62 (1N4148)
A6p	SOT23	BAS16	C	BAW62 (1N4148)
A6s	SC74	BAS16U	C	BAW62 (1N4148)
A6s	SOT23	BAS16	C	BAW62 (1N4148)
A6s	SOT323	BAS16W	C	BAW62 (1N4148)

A6t	SOT23	BAS16	C	BAW62 (1N4148)
A6X	SOT23	MMBD2838	B	dual sw 50V 100mA
A7	SOT143	HSMS-2807	RQ	HP2800 ring quad
A7	SOT23	BAV99		dioda-2x
A7	SOT23	BAV99	D	dual ser BAW92
A7	SOT323	BAV99W		dioda-2x
A7	SOT323	BAV99W	D	dual ser BAW92
A7s	SC74	BAV99U	D	dual ser BAW92
A7s	SC75	BAV99T	D	dual ser BAW92
A7s	SOT23	BAV99	D	dual ser BAW92
A7s	SOT323	BAV99W	D	dual ser BAW92
A8	SOD323	BAP50-03	I	GP RF pin diode
A8	SOT143	HSMS-2808	BQ	HP2800 bridge quad
A8	SOT23	BAS19		dioda
A8	SOT23	BAS19	C	BAV19
A81	SOT23	BAS20		dioda
A81	SOT23	BAS20	C	BAV20
A82	SOT23	BAS21		dioda
A82	SOT23	BAS21	C	BAV21
A8A	SOT23	MMUN2211	N	npn gp with 10k+10k biasres
A8A	SOT23	MMUN2211T1		NPN
A8B	SOT23	MMUN2212	N	npn gp with 22k+22k biasres
A8B	SOT23	MMUN2212T1		NPN
A8C	SOT23	MMUN2213	N	npn gp with 47k+47k biasres
A8C	SOT23	MMUN2213T1		NPN
A8D	SOT23	MMUN2214	N	npn gp with 10k+10k biasres
A8D	SOT23	MMUN2214T1		NPN
A8E	SOT23	MMUN2215	N	npn gp with 10k Wypr. res
A8F	SOT23	MMUN2216	N	npn gp with 4k7 Wypr. res
A8G	SOT23	MMUN2230	N	npn gp with 1k0+1k0 biasres
A8H	SOT23	MMUN2231	N	npn gp with 2k2+2k2 biasres
A8J	SOT23	MMUN2232	N	npn gp with 4k7+4k7 biasres
A8K	SOT23	MMUN2233	N	npn gp with 4k7+47k biasres
A8L	SOT23	MMUN2234	N	npn gp with 22k+47k biasres
A9	SOT23	FMM02835		dioda-2x
A91	SOT23	BAS17		dioda
A91	SOT23	BAS17	C	BA314
AA	SOT23	BCW60A		NPN
AA	SOT23	BCW60A	N	BCY58-vii
AA	SOT89	BCX51		PNP
AA	SOT89	BCX51	P	pnp 45V audio comp BCX54
AAA	SOT23	MMBF4856		FET
AAA	SOT23	MMBF4856	F	2N4856 n-ch chopper jfet
AAG	SOT23	MMBR951AL	N	npn RF 8GHz
AAs	SOT23	BCW60A	N	BCY58-vii
AB	SOT23	2SA1312		NPN
AB	SOT23	BCW60B		NPN
AB	SOT23	BCW60B	N	BCY58-viii
AB	SOT89	BCX51-6		PNP
ABp	SOT23	BCW60B	N	BCY58-viii
ABs	SOT23	BCW60B	N	BCY58-viii
ABt	SOT23	BCW60B	N	BCY58-viii
AC	SOT23	2SA1313		NPN
AC	SOT23	BCW60C		NPN
AC	SOT23	BCW60C	N	BCY58-ix
AC	SOT89	BCX51-10		PNP
AC	SOT89	BCX51-10	P	45V pnp audio hfe 100

AC	SOT89	BCX51-100	P	45V pnp audio hfe 100
ACp	SOT23	BCW60C	N	BCY58-ix
ACs	SOT23	BCW60C	N	BCY58-ix
ACt	SOT23	BCW60C	N	BCY58-ix
AD	SOT23	BCW60D	NPN	
AD	SOT23	BCW60D	N	BCY58-x
AD	SOT89	BCX51-16	PNP	
AD	SOT89	BCX51-16	P	45V pnp audio hfe 160
AD	SOT89	BCX51-160	P	45V pnp audio hfe 160
ADN		2SC3838K	N	npn 11V 3.2GHz TV tuners
ADp	SOT23	BCW60D	N	BCY58-x
ADs	SOT23	BCW60D	N	BCY58-x
ADt	SOT23	BCW60D	N	BCY58-x
AE	SOT23	2SA1362	NPN	
AE	SOT89	BCX52	PNP	
AE	SOT89	BCX52	P	pnp 60V audio comp BCX55
AEN		2SC3839K	N	npn 20V 2.0GHz TV tuners
AF	SOT23	BCW60FF	NPN	
AF	SOT89	BCX52-6	PNP	
AFs	SOT23	BCW60FF	N	BCY58
AG	SOT23	BCX70G	NPN	
AG	SOT23	BCX70G	N	BCY59-vii BC107
AG	SOT89	BCX52-10	PNP	
AG	SOT89	BCX52-10	P	60V pnp BCX52 hfe 100
AGp	SOT23	BCX70G	N	BCY59-vii BC107
AGs	SOT23	BCX70G	N	BCY59-vii BC107
AGt	SOT23	BCX70G	N	BCY59-vii BC107
AH	SOT223	BCP53	P	pnp amp 80V 150mA
AH	SOT23	BCX70H	NPN	
AH	SOT23	BCX70H	N	BCY59-viii BC107B
AH	SOT89	BCX53	P	pnp 80V audio comp BCX56
AH	SOTS9	BCX53	PNP	
AHp	SOT23	BCX70H	N	BCY59-viii BC107B
AHs	SOT23	BCX70H	N	BCY59-viii BC107B
AHt	SOT23	BCX70H	N	BCY59-viii BC107B
AJ	SOT23	BCX70J	NPN	
AJ	SOT23	BCX70J	N	BCY59-ix BC107
AJ	SOT89	BCX53-6	PNP	
AJ s	SOT23	BCX70J	N	BCY59-ix BC107
AJp	SOT23	BCX70J	N	BCY59-ix BC107
AJt	SOT23	BCX70J	N	BCY59-ix BC107
AK	SOT23	BCX70K	NPN	
AK	SOT23	BCX70K	N	BCY59-x BC107
AK	SOT89	BCX53-10	PNP	
AK	SOT89	BCX53-10	P	pnp 80V BCX53 hfe 100
AKp	SOT23	BCX70K	N	BCY59-x BC107
AKs	SOT23	BCX70K	N	BCY59-x BC107
AL	SOT23	MMBTA55L	N	pnp 25V (MPSA55)
AL	SOT23	MMBTD55	PNP	
AL	SOT89	BCX52-16	PNP	
AL	SOT89	BCX53-16	P	80V pnp BCX53 hfe 100
ALs	SOT343	BFP405	MQ	
AM	SOT23	BSS64	NPN	
AM	SOT23	BSS64	N	npn 80V 0.1A FT 60MHz
AM	SOT23	MMBT3638	PNP	
AM	SOT323	MMBT3904W	N	2N3904
AM	SOT89	BCX52-16	P	pnp 60V BCX52 hfe 160

AM	SOT89	BCX53-16		PNP
AMp	SOT23	BSS64	N	npn 80V 0.1A fT 60MHz
AMs	SOT23	BSS64	N	npn 80V 0.1A fT 60MHz
AMs	SOT343	BFP420	MQ	npn fT 25GHz 4.5V 35mA
AMt	SOT23	BSS64	N	npn 80V 0.1A fT 60MHz
AN	SOT23	2SC2532		NPN
AN	SOT23	BCW60FN		NPN
AN	SOT23	BCW60FN	N	gp npn 35V 0.2A
ANs	SOT343	BFP450	MQ	npn fT 25GHz 4.5V 100mA
AO	SC59	2PB7090		PNP
AO	SOT23	BCW60RA		NPN
AO	SOT23R	BCW60AR	R	BCY58-vii
AP	SOT23	BCW60RB		NPN
AP	SOT23R	BCW60BR	R	BCY58-viii
APs	SOT343	BFP520	MQ	npn fT 40GHz 2.5V 40mA
A-Q	SOT323	2PD1820AQ	N	gp sw amp 50V npn hfe 85-170
A-Q	SOT323	2PD1820AR	N	gp sw amp 50V npn hfe 120-240
AR		MSD709R	N	pnnp gp 25V
AR	SC59	2PB709R		PNP
AR	SC59	MSA709-RT1		PNP
AR	SOT23	BCW60CR		NPN
AR	SOT23	BCW60RC		NPN
AR	SOT23R	BCW60CR	R	BCY58-ix
AR1	SOT89	BSR40		NPN
AR1	SOT89	BSR40	P	npn 70V 1A 1.35W hfe 40-120
AR2	SOT89	BSR41		NPN
AR2	SOT89	BSR41	P	npn 70V 1A 1.35W hfe 100-300
AR3	SOT89	BSR42		NPN
AR3	SOT89	BSR42	P	npn 90V 1A 1.35W hfe 40-120
AR4	SOT89	BSR43		NPN
AR4	SOT89	BSR43	P	npn 90V 1A 1.35W hfe 100-300
AS		MSD709S	N	pnnp gp 25V
AS	SC59	2PB709S		PNP
AS	SC59	MSA709-ST1		PNP
AS	SOT23	BAT18-05		diodax2
AS	SOT23	BCW60RD		NPN
AS	SOT23	BRY61		PROGUJT
AS	SOT23R	BCW60DR	R	BCY58-x
A-S	SOT323	2PD1820AS	N	gp sw amp 50V npn hfe 170-340
AS1	SOT89	BST50		NPN
AS1	SOT89	BST50	P	npn darlington 0.5A 60V
AS2	SOT89	BST51		NPN
AS2	SOT89	BST51	P	npn darlington 0.5A 80V
AS3	SOT223	BSP52	P	npn darlington 0.5A hfe2000
AS3	SOT89	BST52		NPN
AS3	SOT89	BST52	P	npn darlington 0.5A 90V
ASs	SOT23	BAT18-05	B	dual BAT18 RF pin
AT	SOT23	BAT18-06		dioda-2x
AT1	SOT89	BST39		NPN
AT2	SOT89	BST40		NPN
AtQ	SOT323	2PD1820AQ	N	gp sw amp 50V npn hfe 85-170
AtQ	SOT323	2PD1820AR	N	gp sw amp 50V npn hfe 120-240
ATs	SOT23	BAT18-06	A	dual ca BAT18 RF pin
AtS	SOT323	2PD1820AS	N	gp sw amp 50V npn hfe 170-340
ATs	SOT343	BFP540	MQ	npn microwave
AU	SOT23	BAT18-04		dioda-2x
AU	SOT23	BCX70RG		NPN

AU	SOT23R	BCW60GR	R	BCY58
AUs	SOT23	BAT18-04	D	dual BAT18 RF pin
AV		DAN212K	C	80V 100mA sw
AW	SOT23	BCX70RH		NPN
AW	SOT23R	BCW60HR	R	BCY58
AX	SOT23	BCX70RJ		NPN
AX	SOT23R	BCX70JR	R	BCY59-ix
AY	SOT23	BCX70RK		NPN
AY	SOT23	MMBD1000	C	>Si sw diode 30V 0.2A
AY	SOT23R	BCX70KR	R	BCY59-x
B	SCD80	BB555	I	Varicap 18pF 1V
B	SOD323	BAS16-03W	I	Varicap 18pF 1V
B	SOT323	MRF957	N	npn RF FT 9GHz
B	SOT89	2SC2880		NPN
B0	SOD323	BZX399-C4V3	I	4.3V 0.3W zener
B0	SOT23	HSMS-2810	C	HP2810 schottky
B0	SOT323	HSMS-281B	C	HP2810 schottky
B08		SST6908	ZQ	2N6908 prot n-ch jfet
B09		SST6909	ZQ	2N6909 prot n-ch jfet
B1	SOD323	BZX399-C1V8	I	1.8V 0.3W zener
B1	SOT23	BAS40	C	schottky sw diode
B1	SOT23	HSMS-2811	K	HP2811 schottky
B10		SST6910	ZQ	2N6910 prot n-ch jfet
B2	SOD323	BZX399-C2V0	I	2.0V 0.3W zener
B2	SOT23	BSV52		NPN
B2	SOT23	BSV52	N	BSX20 12V fT 400MHz sw
B2	SOT23	HSMS-2812	D	dual HP2810 schottky
B2	SOT23	MMBC1621B2		NPN
B2	SOT323	HSMS-281C	D	dual HP2810 schottky
B26	SOT23	BF570		NPN
B26	SOT23	BF570		NPN
B2p	SOT23	BSV52	N	BSX20 12V fT 400MHz sw
B2t	SOT23	BSV52	N	BSX20 12V fT 400MHz sw
B3	SOD323	BZX399-C2V2	I	2.2V 0.3W zener
B3	SOT23	HSMS-2813	A	dual ca HP2810 schottky
B3	SOT23	MMBC1621B3		NPN
B3	SOT323	MMBD717L	A	dual ca schottky
B3T	SC59	1PS184		dioda-2x
B4	SOD323	BZX399-C2V4	I	2.4V 0.3W zener
B4	SOT23	BSV52R		NPN
B4	SOT23	HSMS-2814	B	dual cc HP2810 schottky
B4	SOT23	MMBC1621B4		NPN
B4	SOT23R	BSV52R	R	BSX20
B5	SOD323	BZX399-C2V7	I	2.7V 0.3W zener
B5	SOT143	HSMS-2815	S	dual HP2810 schottky
B5	SOT23	BSR12		PNP
B6	SOD323	BZX399-C3V0	I	3.0V 0.3W zener
B6	SOT23	BAT54A	A	dual ca 30V schottky
B7	SOD323	BZX399-C3V3	I	3.3V 0.3W zener
B7	SOT143	HSMS-2817	RQ	HP2810 ring quad
B8	SOD323	BZX399-C3V6	I	3.6V 0.3W zener
B8	SOT143	HSMS-2818	BQ	HP2810 bridge quad
B9	SC90	2SC4617	N	npn gp
B9	SOD323	BZX399-C3V9	I	3.9V 0.3W zener
BA		DAN217	D	80V 100mA dual
BA	SOD323	BZX399-C4V7	I	4.7V 0.3W zener
BA	SOT23	BCW61A		PNP

BA	SOT23	BCW61A	N	BCY78-vii
BA	SOT89	BCX54		NPN
BA	SOT89	BCX54	P	npn AF 45V comp BCX51
BAp	SOT23	BCW61A	N	BCY78-vii
BAt	SOT23	BCW61A	N	BCY78-vii
BB	SOD323	BZX399-C5V1	I	5.1V 0.3W zener
BB	SOT143	BAR81	NQ	Dual pin shunt switch
BB	SOT23	BCW61B		PNP
BB	SOT23	BCW61B	N	BCY78-viii
BB	SOT89	BCX54-6		NPN
BBp	SOT23	BCW61B	N	BCY78-viii
BBs	SOT23	BCW61B	N	BCY78-viii
BBs	SOT343	BAR81W	NQ	Dual pin shunt switch
BBt	SOT23	BCW61B	N	BCY78-viii
BC	SOD323	BZX399-C5V6	I	5.6V 0.3W zener
BC	SOT23	BCW61C		PNP
BC	SOT23	BCW61C	N	BCY78-ix
BC	SOT89	BCX54-10		NPN
BC	SOT89	BCX54-10	P	npn hfe100
BCp	SOT23	BCW61C	N	BCY78-ix
BCs	SOT23	BCW61C	N	BCY78-ix
BCT	SOT23	BCW61C	N	BCY78-ix
BD	SOD323	BZX399-C6V2	I	6.2V 0.3W zener
BD	SOT23	BCW61D		PNP
BD	SOT23	BCW61D	N	BCY78-x
BD	SOT89	BCW54-16		NPN
BD	SOT89	BCX54-16		NPN
BD	SOT89	BCX54-16	P	npn hfe160 comp BCX51-16
BDp	SOT23	BCW61D	N	BCY78-x
BDs	SOT23	BCW61D	N	BCY78-x
BDt	SOT23	BCW61D	N	BCY78-x
BE	SOD323	BZX399-C6V8	I	6.8V 0.3W zener
BE	SOT23	BAS70	C	schottky sw diode
BE	SOT89	BCX55		NPN
BE	SOT89	BCX55	P	npn AF 60V comp BCX52
BF	SOD323	BZX399-C7V5	I	7.5V 0.3W zener
BF	SOT23	BCW61FF		PNP
BF	SOT23	BCW61FF	N	low noise BCW61
BF	SOT89	BCX55-6		NPN
BG	SOD323	BZX399-C8V2	I	8.2V 0.3W zener
BG	SOT23	BCX71G		PNP
BG	SOT23	BCX71G	N	BCY79-vii
BG	SOT89	BCX55-10		NPN
BG	SOT89	BCX55-10	P	npn hfe 100
BGp	SOT23	BCX71G	N	BCY79-vii
BGs	SOT23	BCX71G	N	BCY79-vii
BGt	SOT23	BCX71G	N	BCY79-vii
BH	SOD323	BZX399-C9V1	I	9.1V 0.3W zener i
BH	SOT223	BCP56	P	npn amp 80V 150mA
BH	SOT23	BCX71H		PNP
BH	SOT23	BCX71H	N	BCY79-viii
BH	SOT89	BCX56		NPN
BH	SOT89	BCX56	P	npn AF 80V
BHp	SOT23	BCX71H	N	BCY79-viii
BHs	SOT23	BCX71H	N	BCY79-viii
BHt	SOT23	BCX71H	N	BCY79-viii
BJ	SOD323	BZX399-C10	I	10V 0.3W zener

BJ	SOT23	BCX71J		PNP
BJ	SOT23	BCX71J	N	BCY79-ix
BJ	SOT89	BCX56-6		NPN
BJp	SOT23	BCX71J	N	BCY79-ix
BJs	SOT23	BCX71J	N	BCY79-ix
BJt	SOT23	BCX71J	N	BCY79-ix
BK	SOD323	BZX399-C11	I	11V 0.3W zener
BK	SOT223	BCP56-10	P	npn amp 80V 150mA
BK	SOT23	BCX71K		PNP
BK	SOT23	BCX71K	N	BCY79
BK	SOT89	BCX56-10		NPN
BK	SOT89	BCX56-10	P	npn hfe 100
BKp	SOT23	BCX71K	N	BCY79
BKs	SOT23	BCX71K	N	BCY79
BKt	SOT23	BCX71K	N	BCY79
BL	SOD323	BZX399-C12	I	12V 0.3W zener
BL	SOT143	BGA310	GQ	MMIC amp 9dB @1GHz
BL	SOT223	BCP56-16	P	npn amp 80V 150mA
BL	SOT363	MBD54DW	DL	2x schottky detector diodes
BL	SOT89	BCX56-16		NPN
BL	SOT89	BCX56-16	P	npn hfe 160
BLs	SOT343	BGA420	HQ	MMIC amp 13 dB @1.8GHz
BM	SOD323	BZX399-C13	I	13V 0.3W zener
BM	SOT143	BGA312	GQ	MMIC amp 11dB @1GHz
BM	SOT23	BSS63		PNP
BM	SOT23	BSS63L	N	100v pnp comp BSS64
BM	SOT89	BCX55-16		NPN
BM	SOT89	BCX55-16	P	npn hfe 160
BMp	SOT23	BSS63	N	100v pnp comp BSS64
BMs	SOT343	BG427	HQ	MMIC amp 18 dB @1.8GHz
BMt	SOT23	BSS63	N	100v pnp comp BSS64
BN	SOD323	BZX399-C15	I	15V 0.3W zener
BN	SOT143	BGA318	GQ	MMIC amp 16dB @1GHz
BN	SOT23	BCW61FN		PNP
BN	SOT23	MMBT3638A		PNP
BNs	SOT23	BCW61FN	N	low noise BCW61
BO	SOT23	BCW61AR	N	BCX78, BCY78-vii
BO	SOT23	BCW61RA		PNP
BP	SOD323	BZX399-C16	I	16V 0.3W zener
BP	SOT23	BCW61BR	N	BCY78-viii
BP	SOT23	BCW61RB		PNP
BQ	SC59	2PB709AO		PNP
BQ	SOD323	BZX399-C18	I	18V 0.3W zener in SOD323
BR		2SC2412K	N	npn 50V 150mA min hfe 180
BR	EM3	2SC4617	N	2SC2412K above
BR	SC59	2PB709AR		PNP
BR	SOD323	BZX399-C20	I	20V 0.3W zener
BR	SOT23	8CW60DR		NPN
BR	SOT23	BCW61CR	N	BCY78-ix
BR	SOT23	BCW61RC		PNP
BR	SOT323	MSB1218A	N	gp pnp 45V
BR	UMT	2SC4081	N	2SC2412K above
BR1	SOT89	BSR30		PNP
BR1	SOT89	BSR30	P	pnp 70V 1A 1.35W hfe 40-120
BR2	SOT89	BSR31		PNP
BR2	SOT89	BSR31	P	pnp 70V 1A 1.35W hfe 100-300
BR3	SOT89	BSR32		PNP

BR4	SOT89	BSR33		PNP
BR4	SOT89	BSR33	P	pnp 90V 1A 1.35W hfe 100-300
BS	SC59	2PB709AS		PNP
BS	SOD323	BZX399-C22	I	22V 0.3W zener
BS	SOT23	BCW61DR	N	BCY78-x
BS	SOT23	BCW61RD		PNP
BS1	SOT89	BST60		PNP
BS1	SOT89	BST60	P	pnp darlington 0.5A 60V
BS2	SOT89	BST61		PNP
BS2	SOT89	BST61	P	pnp darlington 0.5A 80V
BS3	SOT89	BSP62	P	pnp darlington 0.5A hfe2000
BS3	SOT89	BST62		PNP
BS3	SOT89	BST62	P	pnp darlington 0.5A 90V
BT	SOD323	BZX399-C24	I	24V 0.3W zener
BT1	SOT89	BST15		PNP
BT2	SOT223	BSP16	P	pnp l'300V 1A
BT2	SOT89	BST16		PNP
BT2	SOT89	BST16	P	pnp l'300V 1A
BU	SOD323	BZX399-C27	I	27V 0.3W zener
BU	SOT23	BCX71GR	N	BCX79-vii
BU	SOT23	BCX71RG		PNP
BV	SOD323	BZX399-C30	I	30V 0.3W zener
BW	SOD323	BZX399-C33	I	33V 0.3W zener
BW	SOT23	BCX71RH		PNP
BW	SOT23R	BCW71HR	N	BCX79-viii
BX	SOD323	BZX399-C36	I	36V 0.3W zener
BX	SOT23	BCX71		PNP
BX	SOT23R	BCW71JR	N	BCX79-ix
BY	SOD323	BZX399-C39	I	39V 0.3W zener
BY	SOT23	BCX71RK		PNP
BY	SOT23R	BCW71KR	N	BCX79-x
BZ	SOD323	BZX399-C43	I	43V 0.3W zener
C	SCD80	BB565	I	uhf varicap 2-20pF
C	SOD123	BAT65		dioda
C	SOT23	2SA1163		NPN
C	SOT89	2SA1201		PNP
C	URD	KV1832E	I	uhf varicap 4-17pf i
C (white)		BAT165	I	40V 750mA sw Schottky
C0	SOT23	HSMS-2820	C	HP2835 schottky
C0	SOT323	HSMS-282B	C	HP2835 schottky
C1	SOT173	BFQ51C	CX	pnp BFR90A complement
C1	SOT23	BCW29		PNP
C1	SOT23	BCW29	N	BC178A
C1	SOT23	HSMS-2821	K	HP2835 schottky
C1	SOT23	SST111		JFET
C10	SOD80	BZV55-C10		zener.
C11	SOD80	BZV55-C11		zener.
C11	SOT23	FMMJ111		FET
C11	SOT23	SST111	F	J111 n-ch fet
C12	SOD80	BZV55-C12		zener.
C12	SOT23	FMMJ112		FET
C12	SOT23	SST112	F	J112 n-ch fet
C13	SOD80	BZV55-C13		zener.
C13	SOT23	FMMJ113		FET
C13	SOT23	SST113	F	J113 n-ch fet
C15	SOD80	BZV55-C15		zener.
C16	SOD80	BZV55-C16		zener.

C18	SOD80	BZV55-C18		zener.
C1p	SOT23	BCW29	N	BC178A
C1t	SOT23	BCW29	N	BC178A
C1X	SOT23	KSC1623		NPN
C2	SOT173	BFQ32C	CX	pnp 4.5GHz 15V 100mA
C2	SOT23	BCW30		PNP
C2	SOT23	BCW30	N	BC178B
C2	SOT23	HSMS-2822	D	dual HP2835 schottky
C2	SOT23	SST112		JFET
C2	SOT23	SST112	F	J112 analog sw n-ch jfet
C2	SOT323	HSMS-282C	D	dual HP2835 schottky
C20	SOD80	BZV55-C20		zener.
C22	SOD80	BZV55-C22		zener.
C24	SOD80	BZV55-C24		zener.
C27	SOD80	BZV55-C27		zener.
C2p	SOT23	BCW30	N	BC178B
C2t	SOT23	BCW30	N	BC178B
C2V4	SOD80	BZV55-C2V4		zener.
C2V7	SOD80	BZV55-C2V7		zener.
C3		SMBT4126	N	2N4126
C3	SOT173	BFQ23C	CX	pnp complement BFP91A
C3	SOT23	HSMS-2823	A	dual HP2835 schottky
C3	SOT23	MMBT4126		PNP
C3	SOT23	SMBT4126		PNP
C3	SOT23	SST113		JFET
C3	SOT23	SST113	F	J113 analog sw jfet
C30	SOD80	BZV55-C30		zener.
C33	SOD80	BZV55-C33		zener.
C36	SOD80	BZV55-C36		zener.
C38	SOT23	SST5638	F	2N5638
C39	SOD80	BZV55-C39		zener.
C39	SOT23	SST5639	F	2N5639
C3T	SC59	1PS226		dioda
C3V3	SOD80	BZV55-C3V3		zener.
C3V6	SOD80	BZV55-C3V6		zener.
C3V9	SOD80	BZV55-C3V9		zener.
C3VO	SOD80	BZV55-C3VO		zener.
C4	SOT23	BCW29R		PNP
C4	SOT23	HSMS-2824	B	dual HP2835 schottky
C4	SOT23R	BCW29R	R	BC178A
C40	SOT23	SST5640	F	2N5640
C41	SOT23	SST4091	F	2N4091
C42	SOT23	SST4092	F	2N4092
C43	SOD80	BZV55-C43		zener.
C43	SOT23	SST4093	F	2N4093
C47	SOD80	BZV55-C47		zener.
C4V3	SOD80	BZV55-C4V3		zener.
C4V7	SOD80	BZV55-C4V7		zener.
C5		MMBA811C5	N	2N5086 pnp hfe 135-270
C5	SOT143	HSMS-2825	S	dual HP2835 schottky
C5	SOT23	BCW30R		PNP
C5	SOT23	MMBA811C5		PNP
C5	SOT23R	BCW30R	R	BC178B
C51	SOD80	BZY55-C51		zener.
C56	SOD80	BZV55-C56		zener.
C56	SOT23	SST4856	F	2N4856
C57	SOT23	SST4857	F	2N4857

C58	SOT23	SST4858	F	2N4858
C59	SOT23	SST4859	F	2N4859
C5V1	SOD80	BZV55-C5V1		zener.
C5V6	SOD80	BZV55-C5V6		zener.
C6		MMBA811C6	N	2N5086 pnp hfe 200-400
C6	SOT23	MMBA811C6		PNP
C60	SOT23	SST4860	F	2N4860
C61	SOT23	SST4861	F	2N4861
C62	SOD80	BZV55-C62		zener.
C68	SOD80	BZV55-C68		zener.
C6V2	SOD80	BZV55-C6V2		zener.
C6V8	SOD80	BZV55-C6V8		zener.
C7		MMBA811C7	N	2N5086 pnp hfe 300-600
C7	SOT143	HSMS-2827	RQ	HP2835 ring quad
C7	SOT23	BCF29		PNP
C7	SOT23	MMBA811C7		PNP
C75	SOD80	BZV55-C75		zener.
C77	SOT23	BCF29R		PNP
C7V5	SOD80	BZV55.C7V5		zener.
C8		MMBA811C8	N	2N5086 pnp hfe 450-900
C8	SOT143	HSMS-2828	BQ	HP2835 bridge quad
C8	SOT23	BCF30		PNP
C8	SOT23	BCF30	N	BC559B
C8	SOT23	MMBA811C8		PNP
C8V2	SOD80	SZV55-C8V2		zener.
C9	SOT23	BCF30R		PNP
C91	SOT23	FMMJ4391		FET
C91	SOT23	SST4391	F	2N4391
C92	SOT23	FMMJ4392		FET
C92	SOT23	SST4392	F	2N4392
C93	SOT23	FMMJ4393		FET
C93	SOT23	SST4393	F	2N4393
C95	SOT143	BCV64		PNP
C95	SOT143	BCV64B		PNP
C9V1	SOD80	BZV55-C9V1		zener.
CA	SOT223	BCP68	P	20V 1A npn
CA	SOT23	BCW61AR		PNP
CA	SOT23	SST4391		JFET
CA	SOT23R	BCW61AR	R	BCY78-vii
CA	SOT89	BCX68		NPN
CAC	SOT89	BC868		NPN
CB	SOT23	2SC3324		NPN
CB	SOT23	BCW61BR		PNP
CB	SOT23	SST4392		JFET
CB	SOT23R	BCW61BR	R	BCY78-viii
CB	SOT89	BCX68-10		NPN
CB	SOT89	BCX68-10	P	nnp AF 20V 2A hfe 100
CBC	SOT89	BC868-10		NPN
CC	SOT23	2SC3326		NPN
CC	SOT23	BCW61CR		PNP
CC	SOT23	BF554		NPN
CC	SOT23	SST4393		JFET
CC	SOT23R	BCW61CR	R	BCY78-ix
CC	SOT89	BCX68-16		NPN
CC	SOT89	BCX68-16	P	nnp AF 20V 2A hfe 160
CCC	SOT89	BC868-16		NPN
CD	SOT23	BCW61DR		PNP

CD	SOT23	BSS81B		NPN
CD	SOT23R	BCW61DR	R	BCY78-x
CD	SOT89	BCX68-25		NPN
CD	SOT89	BCX68-25	P	npn AF 20V 2A hfe 250
CDC	SOT89	BC868-25		NPN
CDs	SOT23	BSS81B	N	npn sw 35V 0.8A
CE	SOT223	BCP69	P	20V 1A pnp
CE	SOT23	2SC3325		NPN
CE	SOT23	BSS79B		NPN
CE	SOT89	BCX69		PNP
CEC	SOT89	BC869		PNP
CEs	SOT23	BSS79B	N	npn 40V 0.8A hfe 40-120
CF	SOT23	BSS79C		NPN
CF	SOT23	BSS79C	N	npn 40V 0.8A hfe 100 min
CF	SOT89	BCX69-10		PNP
CF	SOT89	BCX69-10	P	pnp AF 20V 2A hfe 100
CF1	SOT143	CF910		MOSFET
CF3	SOT143	CF912		MOSFET
CF4	SOT143	CF922		MOSFET
CF5	SOT143	CF930		MOSFET
CF6	SOT143	CF940		MOSFET
CFC	SOT89	BC869-10		PNP
CG	SOT23	2SC3426		NPN
CG	SOT23	BCX71GR		PNP
CG	SOT23	BSS81C		NPN
CG	SOT23R	BCX71GR	R	BCY79-vii
CG	SOT89	BCX69-16		PNP
CG	SOT89	BCX69-16	P	pnp AF 20V 2A hfe 160
CGs	SOT23	BSS81C	N	npn sw 35V 1A
CH	SOT23	2SC3437		NPN
CH	SOT23	BSS80B		PNP
CH	SOT23	BSS82BL	N	pnp 60V
CH	SOT89	BCX69-25		PNP
CH	SOT89	BCX69-25	N	pnp AF 20V 2A hfe 250
CHC	SOT89	BC869-16		PNP
CHs	SOT23	BSS80B	N	pnp 40V 0.8A hfe 40-120
CJ	SOT23	BSS80C		PNP
CJC	SOTS9	BC869-25		PNP
CJs	SOT23	BSS80C	N	pnp 40V 0.8A hfe 100 min
CK	SOT23	BCX71KR		PNP
CK	SOT23R	BCX71JR	R	BCY79-viii
CL	SOT23	BSS82B		PNP
CLs	SOT23	BSS82B	N	pnp 60V 0.8A hfe 40-120
CM	SOT23	BSS82C		PNP
CMs	SOT23	BSS82C	N	pnp 60V 0.8A hfe 100 min
CQ		2SC2411K	N	npn darlington
CQ	SC59	2PB7100		PNP
CQ	SC59	MSA710-OT1		PNP
CQ	SOT346	MSD710Q	N	pnp gp 25V 150mA
CR	SC59	2PB710R		PNP
CR	SC59	MSA710-RT1		PNP
CR	SOT23	BCW60AR		NPN
CR	SOT346	MSD701R	N	pnp gp 25V 150mA
CS	SC59	2PB710S		PNP
D	SCD80	BB659	I	2-38p varicap
D	SOD323	BAS21-03W	I	
D	SOT23	2SC2713		NPN

D	SOT323	MRF577	N	npn RF ft 7GHz
D	SOT89	2SC2881		NPN
D	USM	1SS376	I	300V 50mA sw
D0	SOT23	HSMP-3800	C	HP3800 pin atten diode
D01	SOT23	SD914		dioda
D1		HSMP-3801	K	HP3800 pin atten diode
D1		SST211	XQ	n-ch mosfet 30V 1nS
D1	SOT143	SST211		JFET
D1	SOT23	BCW31		NPN
D1	SOT23	BCW31	N	BC108A
D1p	SOT23	BCW31	N	BC108A
D1t	SOT23	BCW31	N	BC108A
D1X	SOT23	KSA812		PNP
D2		HSMP-3802	D	dual HP3800 pin atten diode
D2	SOT23	BCW32		NPN
D2	SOT23	BCW32	N	BC108B
D2p	SOT23	BCW32	N	BC108B
D2t	SOT23	BCW32	N	BC108B
D3	SOT143	SST213		JFET
D3	SOT23	BCW33		NPN
D3	SOT23	BCW33	N	BC108C
D3B		RB420D	C	25V 100mA schottky
D3E	SOT23	RB411D	C	20V 500mA schottky
D3J		RB420D	C	25V 100mA schottky
D3L		RB706D-40	B	dual 45V 30mA schottky
D3p	SOT23	BCW33	N	BC108C
D3t	SOT23	BCW33	N	BC108C
D4		BCW31R	R	
D4	SOT23	BCW31R		NPN
D49	SOT23	BAY84		dioda
D5	SOT143	SST215		JFET
D5	SOT23	BCW32R		NPN
D52	SOT23	BRY55-30		SCR
D53	SOT23	BAY85		dioda
D6	SOT23	BCW33R		NPN
D6	SOT23	MMBC1622D6		NPN
D62	SOT23	BAR53		dioda
D65	SOT23	BRY55-30R		SCR
D66	SOT23	BRY55-60		SCR
D67	SOT23	BRY55-60R		SCR
D7	SOT23	BCF32		NPN
D7	SOT23	MMBC1622D7		NPN
D73	SOT23	BA579A		dioda
D74	SOT23	BA579C		dioda
D75	SOT23	BA579S		dioda
D76	SOT23	BAR18		dioda
D77	SOT23	BCF32R		NPN
D78	SOT23	BRY55-100		SCR
D79	SOT23	BRY55-100R		SCR
D8	SOT23	BCF33		NPN
D8	SOT23	MMBC1622D8		NPN
D81	SOT23	BCF33R		NPN
D82	SOT23	BRY55-200R		SCR
D84	SOT23	BAT18DK		dioda
D85	SOT23	BAT170S		dioda
D87	SOT23	BRY55-200		SCR
D94	SOT23	BAR42		dioda

D95	SOT143	BCV63		NPN
D95	SOT23	BAR43		dioda
D96	SOT143	BCV63B		NPN
D96	SOT23	BAS70-04		dioda-2x
D97	SOT23	BAS70-05		dioda-2x
D98	SOT23	BAS7M6		dioda-2x
DA	SOT23	BCW67A		PNP
DA	SOT89	BF622		NPN
DA2	SOT23	SDBAX12		dioda
DA5	SOT23	BAR43S		dioda
DA6	SOT23	BZV53A		VREFdioda
DA7	SOT23	BZV53B		VREFdioda
DA8	SOT23	BZV54A		VREFdioda
DA9	SOT23	BZV54B		VREFdioda
DB	SOT89	BF623		PNP
DB1	SOT23	BAR43A		dioda
DB2	SOT23	BAR43C		dioda
DB6	SOT23	BAY85S		dioda
DC	SOT23	BCW67C		PNP
DC	SOT89	BF620		NPN
DC	SOT89	BFN20		NPN
DD	SOT89	BFN16		NPN
DE	SOT89	BFN18		NPN
DF	SOT23	BCW68F		PNP
DF	SOT89	BF621		PNP
DF	SOT89	BFN21		PNP
DG	SOT23	BCW68G		PNP
DG	SOT89	BFN17		PNP
DH	SOT23	BCW68H		PNP
DH	SOT89	BFN19		PNP
DK	SOT23	BCX42		PNP
DQ	SC59	2PB710AO		PNP
DR	SC59	2PB710AR		PNP
DR	SOT23	BCW60BR		NPN
DS	SC59	2PB710AS		PNP
DT	SOT23	BCW67RA		PNP
DU	SOT23	BCW67RB		PNP
DW	SOT23	BCW67RC		PNP
DX	SOT23	BCW68RF		PNP
DY	SOT23	BCW68RG		PNP
DZ	SOT23	BCW68RH		PNP
e	SCD80	BAT64-02W	I	
E	SCD80	BB689	I	2-55pF varicap
E	SOT23	2SC3265		NPN
E	SOT89	2SA1202		PNP
E	USM	1SS780	I	40V 100mA lo leakage
E0	SOT23	HSMP-3810	C	HP3810 pin atten diode
E0	SOT323	HSMP-381B	C	HP3810 pin atten diode
E1	SOT23	BFS17		NPN
E1	SOT23	HSMP-3811	K	HP3810 pin atten diode
E1	SOT323	BFS17W		NPN
E15	SOT23	BF747		NPN
E16	SOT23	BF547		NPN
E1p	SOT23	BFS17	N	BFY90 BFW92
E1p	SOT323	BFS17W	N	BFY90 BFW92
E1X	SOT23	KSC2859		NPN
E2		BAL99	C	sw diode 75V 100mA

E2	SOT23	BAL99		dioda
E2	SOT23	BFS17A		NPN
E2	SOT23	BFS17A	N	npn RF 3GHz 25mA
E2	SOT23	HSMP-3812	D	dual series HP3810 pin attendiode
E3		BAR99	C	sw diode 75V 100mA
E3	SOT23	BAR99		dioda
E3	SOT23	HSMP-3813	A	dual HP3810 pin atten diode
E4		BFS17R	R	BFY90 BFW92
E4	SOT23	BFS17R		NPN
E4	SOT23	HSMP-3814	B	dual cc HP3810 pin attendiode
E5		BFS17AR	R	npn rf 3 GHz 25mA
E5	SOT23	BFS17AR		NPN
E5	SOT23	BFS17S		NPN
E6		ZC2800E	C	HP2800
E6	SOT143	BFG17A		NPN
E6	SOT23	ZC2800E		dioda
E7	SOT23	ZC2810E		dioda
E8		ZC2811E	C	HP2811
E8	SOT23	ZC2811E		dioda
E9		ZC5800E	C	HP5800
E9	SOT23	ZC5800E		dioda
EA	SOT23	BCW65A		NPN
EAs	SOT23	BCW65A	N	npn 32V 800mA hfe 100 min
EB		MSC1022-B	H	pnp RF 150MHz fT 20V
EB	SC59	MSA1022-BT1		PNP
EB	SOT23	BCW65B		NPN
EB	SOT23	HSMP-4810	J	0.5-3GHz pin 2 cathode connections
EBs	SOT23	BCW65B	N	npn 32V 800mA hfe 160 min
EC		MSC1022-C	H	pnp RF 150MHz fT 20V
EC	SC59	MSA1022-CT1		PNP
EC	SOT23	BCW65C		NPN
EC	SOT23	BCW67C		PNP
ECs	SOT23	BCW65C	N	npn 32V 800mA hfe 250 min
ED	SOT89	BCV28		PNP
ED	SOT89	BCV28	P	pnp darlington 30V 0.8Acomp BCV29
EE	SOT89	BCV48		PNP
EE	SOT89	BCV48	P	pnp darlington 60V 0.8Acomp BCV49
EF	SOT23	BCW66F		NPN
EF	SOT23	BCW66F	N	npn 45V 800mA hfe 100 min
EF	SOT89	BCV29		NPN
EF	SOT89	BCV29	P	npn darlington 30V 0.8Acomp BCV28
EG	SOT23	BCW66G		NPN
EG	SOT89	BCV49		NPN
EG	SOT89	BCV49	P	npn darlington 60V 0.8Acomp BCV48
EGs	SOT23	BCW66G	N	npn 45V 800mA hfe 160 min
EH	SOT23	BCW66H		NPN
EHs	SOT23	BCW66H	N	npn 45V 800mA hfe 240 min
EK	SOT23	BCX41		NPN
EKs	SOT23	BCX41	N	gp npn 125V 1A comp BCX42
ET	SOT23	BCW66RA		NPN
ET	SOT23R	BCW65AR	R	npn 32V 800mA hfe 100 min
EU	SOT23	BCW66RB		NPN
EU	SOT23R	BCW65BR	R	npn 32V 800mA hfe 160 min
EW	SOT23	BCW66RC		NPN
EW	SOT23R	BCW65CR	R	npn 32V 800mA hfe 240 min
EX	SOT23	BCW66RF		NPN
EX	SOT23R	BCW65FR	R	npn 45V 800mA hfe 100 min

EY	SOT23	BCW66RG		NPN
EY	SOT23R	BCW65GR	R	npn 45V 800mA hfe 160 min
EZ	SOT23	BCW66HH		NPN
EZ	SOT23R	BCW65HR	R	npn 45V 800mA hfe 240 min
f	SCD80	BAS20-02W	I	
F	SOT323	MRF927	N	npn RF fT 8GHz
F	SOT89	2SC2882		NPN
F	URD	KV1831E	I	uhf varicap 2.5-22pf
F0	SOT23	HSMP-3820	C	35V RF pin sw diode
F01	SOT23	S04416		FET
F02	SOT23	S04091		FET
F03	SOT23	S04391		FET
F05		TSDF1205	X	fT 12GHz npn RF 4V 12mA
F07	SOT23	S04392		FET
F08	SOT23	S04393		FET
F09	SOT23	S03966		FET
F1		MMBC1009F1	N	RF npn fT 150MHz hfe30-60
F1	SOT23	BFS18		NPN
F1	SOT23	BFS18	N	BF495
F1	SOT23	HSMP-3821	K	35V RF pin sw diode
F1	SOT23	MMBC1009F1		NPN
F10	SOT23	S04092		FET
F11	SOT23	S04093		FET
F12	SOT23	SO245B		FET
F13	SOT23	BFR30R		FET
F14	SOT23	BFR31R		FET
F15	SOT23	S05432		FET
F16	SOT23	SO5432R		FET
F17	SOT23	SO5433		FET
F18	SOT23	S05433R		FET
F19	SOT23	S05434		FET
F1X	SOT23	KSA1182		PNP
F2	SOT23	BFS19		NPN
F2	SOT23	BFS19	N	BF184 BF494
F2	SOT23	HSMP-3822	D	dual series HP3820 pin swdiode
F2	SOT23	MMBC1009F2		NPN
F20		TSDF1220	X	fT 12GHz npn 6V 20mA
F20	SOT23	S0245BR		FET
F21	SOT23	S0245A		FET
F22	SOT23	SO4091R		FET
F23	SOT23	SO4391R		FET
F24	SOT23	S0245AR		FET
F25	SOT23	S0245C		FET
F26	SOT23	S0245CR		FET
F27	SOT23	S04392R		FET
F28	SOT23	S04393R		FET
F29	SOT23	S03966R		FET
F2p	SOT23	BFS19	N	BF184 BF494
F2t	SOT23	BFS19	N	BF184 BF494
F3		MMBC1009F3	N	RF npn fT150MHz hfe60-120
F3	SOT23	MMBC1009F3		NPN
F30	SOT23	S04092R		FET
F31	SOT23	S04093R		FET
F32	SOT23	S05434R		FET
F3T	SC59	1PS193		dioda-2x
F4		BFS18R	N	BF495
F4	SOT23	BFS18R		NPN

F4	SOT23	HSMP-3824	B	dual cc HP3820 pin sw diode
F4	SOT23	MMBC1009F4		NPN
F5		BFS19R	N	BF184 BF494
F5	SOT23	BFS19R		NPN
F5	SOT23	MMBC1009F5		NPN
F69	SOT23	ZBF569		PNP
F79	SOT23	ZBF579		PNP
F8	SOT23	BF824		PNP
F8p	SOT23	BF824	N	
F8t	SOT23	BF824	N	
F8t	SOT323	BF824W	N	
FA		BFP81	X	BFQ69
FA	SOT143	BFP81		NPN
FA	SOT23	HSMP-4820	B	0.5-3GHz cc pin dual anode
FA	SOT89	BFQ17		NPN
FA	SOT89	BFQ17	P	npn RF 1.5GHz 300mA
FA	SOT89	BFQ19	P	npn RF Ft 5.5GHz 100mA
FB		BFP17	X	BFW92
FB	SOT89	BFQ19		NPN
FC		BFP29	X	BFT97
FC		BFQ64	P	BFT98T
FC	SOT89	BFQ64		NPN
FD		BFP35A	X	BFR34A
FD	SOT23	BCV26		PNP
FD	SOT23	BCV26	N	pnnp darlington
FD	SOT89	BFQ17P		NPN
FD	SOT89	BFQ17P	P	BFW16A
FDp	SOT23	BCV26	N	pnnp darlington
FDt	SOT23	BCV26	N	pnnp darlington
FE	SOT143	BFP93A		NPN
FE	SOT143	BFP93A	X	BFR91A
FE	SOT23	BCV46		PNP
FE	SOT23	BCV46	N	pnnp darlington
FE	SOT89	BFQ19P		NPN
FEp	SOT23	BCV46	N	pnnp darlington
FEs	SOT89	BFQ19P	P	BFR96
FET	SOT23	BCV46	N	pnnp darlington
FF	SOT23	BCV27		NPN
FF	SOT23	BCV27	N	npn darlington
FF	SOT89	BFQ18A		NPN
FFp	SOT23	BCV27	N	npn darlington
FFt	SOT23	BCV27	N	npn darlington
FG	SOT23	BCV47		NPN
FG	SOT23	BCV47	N	npn darlington
FG	SOT89	BFQ149		PNP
FG	SOT89	BFQ19S		NPN
FG	SOT89	BFQ19S	P	BFR96S
FGp	SOT23	BCV47	N	npn darlington
FGt	SOT23	BCV47	N	npn darlington
FH	SOT23	BFN24		NPN
FHs	SOT23	BFN24	N	npn 250V comp to BFN25
FJ	SOT23	BFN26		NPN
FJ	SOT23	BFN26	N	npn 300V comp to BFN27
FK	SOT23	BFN25		PNP
FK	SOT23	BFN25	N	pnnp 250V comp to BFN24
FL	SOT23	BFN27		PNP
FL	SOT23	BFN27	N	pnnp 300V comp to BFN26

F-Q	SOT323	2PA1576Q	N	gp pnp SC70 hfe 120-270
FR		2SA1037AK	N	hfe 150@1ma preamp pnp
FR	EM3	2SA1774	N	see 2SA1037K above
FR	UMT	2SA1576A	N	see 2SA1037K above
F-R	SOT323	2PA1576R	N	gp pnp hfe 180-390
F-S	SOT323	2PA1576S	N	gp pnp hfe 270-560
FT107	SOT223	MMFT107T1		MOS
FT960	SOT223	MMFT960T1		MOS
FtQ	SOT323	2PA1576Q	N	gp pnp SC70 hfe 120-270
FtR	SOT323	2PA1576R	N	gp pnp hfe 180-390
FtS	SOT323	2PA1576S	N	gp pnp hfe 270-560
G	SCD80	BAR63-02W	I	RF pin to 3GHz
G	SOD323	BAR63-03W	I	RF pin to 3GHz
G	SOT323	MRF947A	N	npn RF 8GHz
G	SOT89	2SC2883		NPN
G	URD	KV1181E	I	uhf varicap 2-16pF
G0	SOT23	HSMP-3890	C	HP3890 pin sw diode
G0	SOT323	HSMP-389B	C	HP3890 pin sw diode
G1	SOT23	BFS20		NPN
G1	SOT23	BFS20	N	BF199
G1	SOT23	FMMT5551		NPN
G1	SOT23	MMBT5551		NPN
G1	SOT23	MMBT5551	N	2N5551 npn Vce 140V
G1	SOT23	PMBT5551		NPN
G1E		BC847A	N	BC547A
G1F		BC847B	N	BC547B
G1G		BC847C	N	BC547C
G1J		BC848A	N	BC548A
G1K		BC848B	N	BC548B
G1L		BC848C	N	BC548C
G1p	SOT23	BFS20	N	BF199
G1t	SOT23	HSMP-3891	K	HP3890 pin sw diode
G2	SOT143	CGY50		GaAsMMIC
G2	SOT143	CGY50	IQ	GaAs MMIC amp
G2	SOT23	BF550		PNP
G2	SOT23	HSMP-3892	D	dual ser HP3890 pin sw diode
G3	SOT23	BAR63	C	single 3GHz pin
G3	SOT23	BF536		PNP
G3	SOT23	HSMP-3893	A	dual HP3890 pin sw diode
G30	SOT23	ZGF300F		NPN
G3E	SOT23	BC857A	N	BC557A
G3F	SOT23	BC857B	N	BC557B
G3J	SOT23	BC858A	N	BC558A
G3K	SOT23	BC858B	N	BC558B
G3L	SOT23	BC858C	N	BC558C
G4	SOT23	BAR63-04	D	dual series 3GHz pin
G4	SOT23	BFS20R		NPN
G4	SOT23	BFS20R	N	BF199
G4	SOT23	HSMP-3894	B	dual HP3890 pin sw diode
G4s	SOT323	BAR63-04W	D	dual series 3GHz pin
G5	SOT143	HSMP-3895	S	dual HP3890 pin sw diode
G5	SOT23	BAR63-05	B	dual cc 3GHz pin
G5	SOT23	BF550R		PNP
G5s	SOT323	BAR63-05W	B	dual cc 3GHz pin
G6	SOT23	BAR63-06	A	dual ca 3GHz pin
G6	SOT23	BF569		PNP
G6A		BC817-16	N	BC337-16

G6B		BC817-25	N	BC337-25
G6s	SOT323	BAR63-06W	A	dual ca 3GHz pin
G7		BF579	N	BF979 pnp uhf fT 1.75GHz
G7	SOT23	BF579		PNP
G8	SOT23	BF660		PNP
G9	SOT23	BF767		PNP
GA	SOT23	HSMP-4890	B	0.5-3GHz dual cc pin limiter
GA	SOT23	S416T		PNP
GA	SOT89	BAW78A		dioda
GA	SOT89	BAW78A	LQ	50V 1A sw diode
GB	SOT89	BAW78B		dioda
GB	SOT89	BAW78B	LQ	100V 1A sw diode
GC	SOT89	BAW78C		dioda
GC	SOT89	BAW78C	LQ	200V 1A sw diode
GC1		BCW29	N	BC178A
GC2		BCW30	N	BC178B
GD	SOT89	BAW78D		dioda
GD	SOT89	BAW78D	LQ	400V 1A sw diode
GD1		BCW33	N	BC108C
GD2		BCW32	N	BC108B
GE	SOT23	BFR35AP		NPN
GE	SOT23	BFR35AP	N	BFR34A
GE	SOT89	BAW79A		dioda-2x
GE	SOT89	BAW79A	JQ	dual cc 50V 1A switch diodes
GF	SOT23	BFR92P		NPN
GF	SOT23	BFR92P	N	BFR90
GF	SOT89	BAW79B		dioda-2x
GF	SOT89	BAW79B	JQ	dual cc 100V 1A switch diodes
GG		BF579R	R	BF979 pnp uhf fT1.75GHz
GG	SOT23	BF579R		PNP
GG	SOT23	BFR93P		NPN
GG	SOT23	BFR93P	N	BFR91A
GG	SOT89	BAW79C		dioda-2x
GG	SOT89	BAW79C	JQ	dual cc 200V 1A switch diodes
GH	SOT89	BAW79D		dioda-2x
GH	SOT89	BAW79D	JQ	dual cc 400V 1A switch diodes
GH1		BCW69	N	BC177A
GH2		BCW70	N	BC177B
GK1		BCW71	N	BC107A
GK2		BCW72	N	BC107B ZXT300
GLP	SOT23	MMBT1010	N	pnp 15V hfe 300-600 @100mA
GLP	SOT346	MMBT1010	N	pnp 15V hfe 300-600 @100mA
GT1		BCX17	N	BC327
GT2		BCX18	N	BC328
GU1		BCX19	N	BC337
GU2		BCX20	N	BC338
H	SCD80	BB659C	I	2.5-39 pF varicap in
H	SOD323	BBY51-03W	I	3-5 pF varicap in
H	SOT323	MRF947B	N	nnp RF 8GHz
H	SOT89	2SA1203		PNP
H1	SOT23	BCW69		PNP
H1	SOT23	BCW69	N	BC177A
H1	SOT23	SST4416		JFET
H11		UMH11TN	DI	nnp/pnp pair 10k+10k biasres
H16		SST4416	F	2N4416 n-ch jfet
H1p	SOT23	BCW69	N	BC177A
H1t	SOT23	BCW69	N	BC177A

H2	SOT23	BCW70		PNP
H2	SOT23	BCW70	N	BC177B
H2p	SOT23	BCW70	N	BC177B
H2t	SOT23	BCW70	N	BC177B
H3	SOT23	BCW89		PNP
H3	SOT23	BCW89	N	BC556
H31	SOT23	BCW89R		PNP
H31	SOT23R	BCW89R	N	BC556
H3p	SOT23	BCW89	N	BC556
H3t	SOT23	BCW89	N	BC556
H4	SOT23	BCW69R		PNP
H4	SOT23	SST5484		JFET
H4	SOT23R	BCW69R	R	BC177A
H5		MBD770DW	DL	Dual UHF schottky diode
H5	SOT23	BCW70R		PNP
H5	SOT23	SST5485		JFET
H5	SOT23R	BCW70R	R	BC177B
H6	SOT23	BCW89R		PNP
H6	SOT23	SST5486		JFET
H6	SOT23R	BCW89R	R	BC556
H7	SOT23	BCF70		PNP
H71	SOT23	BCF70R		PNP
H84	SOT23	FMMJ5484		FET
H84	SOT23	SST5484	F	2N5484
H85	SOT23	FMMJ5485		FET
H85	SOT23	SST5485	F	2N5485
H86	SOT23	FMMJ5486		FET
H86	SOT23	SST5486	F	2N5486
HB		BFN22	P	npn Vce 250V
HB	SOT23	2SC3120		NPN
HB	SOT23	BFN22		NPN
HC		BFN23	P	pnv Vce 250V
HC	SOT23	2SC3121		NPN
HC	SOT23	2SC4255		NPN
HC	SOT23	BFN23		PNP
HD	SOT23	2SC3122		NPN
HE	SOT23	2SC3123		NPN
HF	SOT23	2SC3124		NPN
HG		CFY77-08	DM	20GHz HEMT 0.8dB nf
HH		CFY77-10	DM	20GHz HEMT 1.0 dB nf
HH	SOT143	BBY51-07	S	dual varicap like BBY51
HH	SOT23	2SC3125		NPN
HI	SOT23	2SC3547A		NPN
HK	SOT143	2SC3828		NPN
HL	SOT23	2SC3862		NPN
HM	SOT23	2SC3547B		NPN
HN	SOT143	2SC4214		NPN
HQ		2SA1036K	N	pnv 500mA driver
I	SCD80	BBY51-02W	I	3-5 pF varicap
I	SOD323	BBY52-03W	I	1.25-1.75 pF varicap in
I	SOT23	2SA1298		NPN
I	SOT89	2SA1384		PNP
I0	SOT23	SST110		JFET
I08	SOT23	SST108	F	J108 n-ch jfet
I09	SOT23	SST109	F	J109 n-ch jfet
I10	SOT23	SST110	F	J110 n-ch jfet
I8	SOT23	SST108		JFET

I9	SOT23	SST109		JFET
J	SOT23	2SK208		JFET
J	SOT89	2SC3515		NPN
J0	SOT23	HSMS-2840	C	schottky diode
J01		SO2906R	N	2N2906
J01	SOT23	S02906R		PNP
J03		SO2907AR	R	2N2907A
J03	SOT23	S02907AR		PNP
J05		SO2907R	R	2N2907
J05	SOT23	SO2907R		PNP
J06	SOT23	S02894R		PNP
J1		ZC830	C	ZC820 varicaps
J1	SOT23	BSS138L	M	n-ch enh TMOS fet
J1	SOT23	HSMS-2841	K	schottky diode
J12		SO2906AR	R	2N2906A
J12	SOT23	S02906AR		PNP
J1A	SOT23	ZC830A		VCAPdioda
J1B	SOT23	ZC830B		VCAPdioda
J1S	SOT23	ZC830		VCAPdioda
J1X	SOT23	KSA1298		PNP
J2		ZC833	C	ZC823
J25	SOT23	S03906R		PNP
J26	SOT23	S03905R		PNP
J2A	SOT23	ZC833A		VCAPdioda
J2B	SOT23	ZC833B		VCAPdioda
J2S	SOT23	ZC833		VCAPdioda
J3		ZC831	C	ZC821
J32		SO5400R	R	2N5400
J32	SOT23	S05400R		PNP
J33		SO5401R	R	2N5401
J33	SOT23	S05401R		PNP
J39		SO692R		pnp Vce 300V
J39	SOT23	S0692		PNP
J3A	SOT23	ZC831A		VCAPdioda
J3B	SOT23	ZC831B		VCAPdioda
J3D		MSB81T1		vhf pnp fT 0.6GHz
J3S	SOT23	ZC831		VCAPdioda
J4		ZC832	C	ZC823
J4A	SOT23	MBV109	C	29pF VHF varicap diode
J4A	SOT23	ZC832A		VCAPdioda
J4B	SOT23	ZC832B		VCAPdioda
J4S	SOT23	ZC832		VCAPdioda
J5		ZC834	C	ZC824
J5A	SOT23	ZC834A		VCAPdioda
J5B	SOT23	ZC834B		VCAPdioda
J5S	SOT23	ZC834		VCAPdioda
J6		M1MA174	C	gp Si diode 100V
J6		ZC835	C	ZC825
J6A	SOT23	ZC835A		VCAPdioda
J6B	SOT23	ZC835B		VCAPdioda
J6S	SOT23	ZC835		VCAPdioda
J7		ZC836	C	ZC826
J7A	SOT23	ZC836A		VCAPdioda
J7B	SOT23	ZC836B		VCAPdioda
J7S	SOT23	ZC836		VCAPdioda
J8	SOT23	BCX71JR		PNP
J8	SOT23R	BCX71JR	R	BCY79-ix

JA	SOT23	BAV74		diodax2
JA	SOT23	BAV74	B	dual diode cc 50V 0.1A
JA	SOT23	BAV74	B	dual sw diodes
JB	SOT23	BAR74		dioda
JBs	SOT23	BAR74	C	fast sw diode 50V 0.25A
JC	SOT23	BAL74		dioda
JCs	SOT23	BAL74	V	fast sw diode 50V 0.25A
JF	SOT23	BAL99		dioda
JFs	SOT23	BAL99	V	fast sw diode 70V 0.25A
JG		BAR99	E	fast sw diode 70V 0.25A
JG	SOT23	BAR99		dioda
JJ	SOT23	BAV70		dioda-2x
JKs	SOT143	BF1009	W	biased n-ch dg mosfet 1GHz9V
JL	SOT323	MRF949	N	nnp RF FT 9GHz
JLs	SOT143	BF1009S	W	biased n-ch dg mosfet 1GHz9V
JP	SOT143	BAW101		dioda-2x
JP	SOT23	BAS19		dioda
JPs	SOT143	BAW101	S	pair isolated 300V sw diodes
JPs	SOT23	BAS19	C	120V 250mA fast sw diode
JR	SOT23	BAS20		dioda
JRs	SOT23	BAS20	C	150V 250mA fast sw diode
JS	SOT143	BAW		100
JS	SOT143	BAW100	Y	dual isolated fast sw diodes
JS	SOT23	BAS21		dioda
JSs	SOT143	BAS21	C	200V 250mA fast sw diode
JT	SOT143	BAS28		dioda-2x
JTs	SOT143	BAS28	S	dual isolated fast sw diodes
JTs	SOT343	BAS28W	FQ	dual isolated fast sw diodes
JV	SOT23	BAS116		dioda
JV	SOT23	BAS116	C	250V 75mA Ir 5nA
JX	SOT23	BAV170		dioda-2x
JX	SOT23	BAV170	B	dual cc Si diode low Ir
JY	SOT23	BAV199		dioda-2x
JY	SOT23	BAV199	D	dual series Si diode lowIr
JZ	SOT23	BAW		156
JZ	SOT23	BAW156	A	dual ca Si diode low Ir
K	SCD80	BBY52-02W	I	UHF varicap 1.75-1.25pF
K	SOD323	BAT68-03W	I	BAT68 Schottky
K	SOT23	2SK211		JFET
K	SOT323	MRF917	N	nnp RF FT 6GHz
K0	SOT23	HSMP-3830	C	gp pin diode HP3830
K1	SOT23	BCW71		NPN
K1	SOT23	BCW71	N	BC107A
K1	SOT23	HSMP-3831	K	gp pin diode HP3830
K14		DTA114G	N	pnp sw 50V 100mA w. b-eres
K15		DTA124G	N	pnp sw 50V 50mA w. b-e res
K1p	SOT23	BCW71	N	BC107A
K1t	SOT23	BCW71	N	BC107A
K1X	SOT23	KSC3265		NPN
K2	SOT23	BCW72		NPN
K2	SOT23	BCW72	N	BC107B ZXT300
K2	SOT23	HSMP-3832	D	dual HP3830 pin diode
K24		DTC114G	N	nnp sw 50V 100mA w. b-eres
K25		DTA124G	N	pnp sw 50V 50mA w. b-e res
K2p	SOT23	BCW72	N	BC107B ZXT300
K2t	SOT23	BCW72	N	BC107B ZXT300
K3	SOT23	BCW81		NPN

K3	SOT23	BCW81	N	npn 50V 0.1A 0.2W hfe 420
K3	SOT23	HSMP-3833	A	dual HP3830 pin diode
K31		BCW81R	R	npn 50V 0.1A 0.2W hfe 420
K31	SOT23	BCW81R		NPN
K3p	SOT23	BCW81	N	npn 50V 0.1A 0.2W hfe 420
K3t	SOT23	BCW81	N	npn 50V 0.1A 0.2W hfe 420
K4	SOT23	BCW71R		NPN
K4	SOT23	HSMP-3834	B	dual HP3830 pin diode
K4	SOT23R	BCW71R	R	BC107A
K5	SOT23	BCW72R		NPN
K5	SOT23R	BCW72R	R	BC107B ZTX300
K6	SOT23	BCV71R		NPN
K6	SOT23R	BCV71R	R	BC546A
K7	SOT23	BCV71		NPN
K7	SOT23	BCV71	N	BC546A
K71	SOT23	BCV71R		NPN
K7p	SOT23	BCV71	N	BC546A
K7t	SOT23	BCV71	N	BC546A
K8	SOT23	BCV72		NPN
K8	SOT23	BCV72	N	BC546B
K81	SOT23	BCV72R		NPN
K8p	SOT23	BCV72	N	BC546B
K8t	SOT23	BCV72	N	BC546B
K9	SOT23	BCF81		NPN
K9	SOT23	BCV72R		NPN
K9	SOT23R	BCV72R	R	BC546B
K91	SOT23	BCF81R		NPN
KA	SOT23	2SK368		JFET
KA	SOT87	BSS87		MOSFET
KB	SOT23	MMBT8099L	N	npn 80V gp
KB	SOT89	BSS192		MOSFET
KC		BFQ29P	N	BFT66
KC	SOT23	2SK625		JFET
KC	SOT23	BFQ29P		NPN
KM		BST80	T	VN10
KM	SOT89	BST80		FET
KN		BST84	T	Nch VMOS 200V 0.25A
KN	SOT89	BST84		FET
KO		BST86	T	nch VMOS 180V 0.3A
KO	SOT89	BST86		FET
KX	SOT23	PMBF170		MOSFET
L	SCD80	BBY53-02W	I	varicap 5.3-2.2 pF
L	SOD323	BAT62-03W	I	BAT62 schottky detector
L	SOT23	2SC2712		NPN
L0	SOT23	BAT721S	C	dual series 40V 200mA schottky
L0	SOT23	HSMP-3860	C	dual series pin diode
L0	SOT323	HSMP-386B	C	gp RF pin diode
L1		BSS65	N	pnp 12V 0.1A 400MHz sw
L1	SOT23	BSS65		PNP
L12	SOT89	ZVNL120Z		MOSFET
L2		BSS69	N	pnp 40V 0.1A 200MHz sw
L2	SOT23	BSS69		PNP
L2	SOT23	HSMP-3862	D	dual RF pin diode
L20	SOT23	BAS29		dioda
L20	SOT23	BAS29	C	Si diode 120V 50mA
L21	SOT23	BAS31		dioda-2x
L21	SOT23	BAS31	D	dual BAS29 diodes

L22	SOT23	BAS35		dioda-2x
L22	SOT23	BAS35	A	dual BAS29 diodes
L3		BSS70	N	pnv 40V 0.1A 200MHz sw
L3		MMBC1623L3	N	npn 40V gp
L3	SOT23	BSS70		PNP
L3	SOT23	HSMP-3863	A	ca gp RF pin diode
L3	SOT23	MMBC1623L3		NPN
L30	SOT143	BAV23		dioda-2x
L30	SOT143	BAV23	S	dual 200V 225mA diodes
L31	SOT23	BAV23S		dioda-2x
L4		MMBC1623L4	N	npn 40V gp
L4	SOT23	BAT54		dioda
L4	SOT23	HSMP-3864	B	cc gp RF pin diode
L4	SOT23	MMBC1623L4		NPN
L4	SOT323	BAT54W		dioda
L4	SOT323	BAT54W	C	BAT85 schottky
L41	SOT143	BAT74		dioda-2x
L41	SOT143	BAT74	S	2x BAT85
L42	SOT23	BAT54A		dioda-2x
L42	SOT323	BAT54AW		dioda-2x
L42p	SOT23	BAT54A	A	dual c anode schottky
L43	SOT23	BAT54C		dioda-2x
L43	SOT323	BAT54CW		dioda-2x
L43p	SOT23	BAT54C	B	dual c cathode schottky
L44	SOT23	BAT54S		dioda-2x
L44	SOT323	BAT54SW		dioda-2x
L44p	SOT23	BAT54S	D	dual series schottky
L4p	SOT23	BAT54	C	BAT85 schottky
L4Z	SOT23	BAT54	C	BAT85 schottky
L5		BSS65R	R	pnv 12V 0.1A 400MHz sw
L5		MMBC1623L5	N	MPS3904 hfe 135-270
L5	SOT23	BAS55		dioda
L5	SOT23	BSS65R		PNP
L5	SOT23	MMBC1623L5		NPN
L51	SOT143	BAS56		dioda-2x
L51	SOT143	BAS56	S	dual 60V 200mA diodes
L52	SOT23	BAS678		dioda
L6		BAR17	C	pin diode
L6		BSS69R	N	pnv 40V 0.1A 200MHz sw
L6		MMBC1623L6	N	MPS3904 hfe 200-400
L6	SOT23	BAR17		dioda
L6	SOT23	BSS69R		PNP
L6	SOT23	MMBC1623L6		NPN
L7		BAR14-1	D	dual pin 100mA max
L7		BSS70R	N	pnv 40V 0.1A 200MHz sw
L7		MMBC1623L7	N	MPS3904 hfe 300-600
L7	SOT23	BAR14-1		diodax2
L7	SOT23	BSS70R		PNP
L7	SOT23	MMBC1623L7		NPN
L8		BAR15-1	A	dual pin 100mA max
L8	SOT23	BAR15-1		dioda-2x
L8	SOT23	BAT721A	A	dual c anode 40V 200mA schottky
L9		BAR16-1	B	dual pin 100mA max
L9	SOT23	BAR16-1		dioda-2x
L9	SOT23	BAT721C	B	dual c cathode 40V 200mAschottky
LA	SOT23	BF550		PNP
LAp	SOT23	BF550	N	pnv 40V 25mA

LB		S525T	G	n-ch vhf mosfet 200MHz
LB	SOT143	BF999		FET
LBs	SOT23	BF999	G	n-ch vhf mosfet 300MHz
LD	SOT23	BF543		FET
LDs	SOT23	BF543	G	n-ch vhf mosfet 300MHz
LE	SOT23	BF660		PNP
LEs	SOT23	BF660	N	BF606A pnp vhf osc ft 800MHz
LF	SOT23	BF777		NPN
LG	SOT23	BF775A		NPN
LGs	SOT23	BF775A	N	npn RF ft 5.6GHz for IFamp
LH		BF569R	R	BF970 pnp RF
LH	SOT23	BF569		PNP
LHs	SOT23	BF569	N	BF970 pnp RF
LJ	SOT23	BF579		PNP
LK	SOT23	BF799		NPN
LKs	SOT23	BF799	N	BF959
LKs	SOT323	BF799W	N	BF959
LM		d >BST120	T	p-ch DMOSfet 60V 0.3A
LM	SOT23	BF569R		PNP
LM	SOT89	BST120		FET
LN		BST122	T	p-ch DMOSfet 50V 0.25A
LN	SOT89	BST122		FET
LO	SOT23	BF775		NPN
LOs	SOT23	BF775	N	BFQ69
LOs	SOT323	BF775W	N	BFQ69
LR	SOT23	BF517		NPN
LRs	SOT23	BF517	T	BF763 2.5 GHz
LS	SOT23	BF770A		NPN
LSs	SOT23	BF770A	N	npn low noise RF, Ft 6GHz
M	SCD80	BAR64-02W	I	pin diode
M	SOT143	BAR65-07	S	dual pin diode
M	SOT89	2SC2873		NPN
M (blue)	SOD323	BAR65-03W	I	pin diode
M (white)	SOD323	BBY55-03W	I	5.4-2.3pF varicap in
M01	SOT143	BF901		FET
M02	SOT143	BF901R		FET
M04	SOT143	BF904		FET
M06	SOT143	BF904R		FET
M08	SOT23	PMBFJ308	F	VHF n-ch JFET J308
M09	SOT23	PMBFJ309		FET
M09	SOT23	PMBFJ309	F	VHF n-ch JFET J309
M1	SOT23	BFR30		FET
M1	SOT23	BFR30	F	BFW11 BF245
M10	SOT23	PMBFJ310		FET
M10	SOT23	PMBFJ310	F	J310 n-ch jfet
M10	SOT23	PMBFJ310	F	VHF n-ch JFET J310
M16	SOT23	PMBF4416A		FET
M1B	SOT23	MMBT2222L	N	2N2222
M1E	SOT23	MMBTA43L	N	MPSA43 200V Vce npn
M1F	SOT23	MMBT5550L	N	2N5550 npn 140V
M1J	SOT23	MMBT2369L	N	2N2369A
M2	SOT23	BFR31		FET
M2	SOT23	BFR31	F	BFW12 BF245
M20	SOT143	BFR200		FET
M2B	SOT23	MMBT2907L	N	2N2907 pnp gp
M2C	SOT23	MMBTA70L	N	gp pnp MPSA70
M3		MMBA812M3	N	2N5086 hfe 60-120 pnp

M3	SOT23	BFT46		FET
M3	SOT23	BFT46	F	n-ch fet gp low level amp
M3	SOT23	MMBA812M3		PNP
M31		BSD20	XQ	n-ch depl sw mosfet 10V
M31	SOT89	BSD20		FET
M32		BSD22	XQ	n-ch depl sw mosfet 20V
M32	SOT89	BSD22		FET
M3A	SOT23	MMBTH24L	N	npn VHF amp 400MHz ft 30V
M3B	SOT23	MMBT918L	N	2N918 UHF amp
M3J	SOT23	MMBTH69L	N	pnp VHF amp 2GHz ft 15V
M4		BSR56	F	2N4856 n-ch fet
M4	SOT23	BSR56		FET
M4	SOT23	MMBA812M4		PNP
M4	SOT363	MBD110DW	DL	dual UHF schottky
M4A	SOT323	MMBV109	C	Hyperabrupt varicap
M4B	SOT23	MMBV432	B	dual cc varicap 45pF/2V
M4C	SOT23	MMBV3102	C	Hyperabrupt varicap
M4E	SOT23	MMBV105G	C	Hyperabrupt varicap
M4F	SOT23	MMBD353	D	dual MBD101 in series
M4G	SOT23	MMBV2101	C	varicap 6.8pF MV2101
M5		BSR57	F	2N5457 n-ch fet
M5		MMBA812M5	N	2N5086 hfe 135-270 pnp
M5	SOT23	BSR57		FET
M5	SOT23	MMBA812M5		PNP
M5	SOT323	MMBD352W	Z	2x MBD101 in series
M5C	SOT23	MMBD7000	D	100V 2x series sw diodes
M6		BSS66	N	npn 40V 0.1A sw ft 250MHz
M6		MMBA812M6	N	2N5086 hfe 200-400 pnp
M6	SOT23	BSR58		FET
M6	SOT23	BSR58	F	2N4858 n-ch fet
M6	SOT23	BSS66		NPN
M6	SOT23	MMBA812M6		PNP
M65	SOT23	BF545A		FET
M66	SOT23	BF545B		FET
M67	SOT23	BF545C		FET
M6A	SOT23	MMBF4416	F	2N4416 n-ch rf jfet
M6B	SOT23	MMBF5484	F	2N5484 n-ch rf jfet
M6C	SOT23	MMBFU310	F	U310 n-ch rf jfet
M6E	SOT23	MMBF5460	F	2N5460 n-ch rf jfet
M6H	SOT23	MMBD354	A	dual MBD101 cc
M7		BSS67	N	npn 40V 0.1A sw ft 300MHz
M7		MMBA812M7	N	2N5086 hfe 300-600 pnp
M7	SOT23	BSS67		NPN
M7	SOT23	MMBA812M7		PNP
M74		BSS83	XQ	n-ch enh sw mosfet
M74	SOT143	BSS83		MOSFET
M8		BSS66R	R	npn 40V 0.1A sw ft 250MHz
M8	SOT23	BSH103	M	n-ch 50V 0.11A mosfet
M8	SOT23	BSS66R		NPN
M84	SOT23	BF556A		FET
M85	SOT143	BF990AR		FET
M85	SOT23	BF556B		FET
M86	SOT23	BF556C		FET
M87	SOT143	BF990A		FET
M89		BF989	K	BF960
M89	SOT143	BF989		FET
M8p	SOT23	BSN20	M	n-ch 50V 0.11A mosfet

M9		BSS67R	R	npn 40V 0.1A sw ft 300MHz
M9	SOT23	BSS67R		NPN
M90		BF990	W	BF980
M90	SOT143	BF990		FET
M91		BF991	W	BF981
M91	SOT143	BF991		FET
M92		BF992	W	BF982
M92	SOT143	BF992		FET
M94		BF994	W	BF964
M94	SOT143	BF994		FET
M96		BF996	W	BF966
M96	SOT143	BF996		FET
M97		BFR101A		
M97	SOT143	BFR101A		FET
M98		BFR101B		
M98	SOT143	BFR101B		FET
MA	SC59	M1MA151A		dioda
MA	SOT143	BF989		FET
MA	SOT23	2SC3011		NPN
MA	SOT23	FMMT-A06R		NPN
MA	SOT346	M1MA151AT	E	40V 100mA sw diode
MA	SOT346	M1MA152AT	E	80V 100mA sw diode
MA	SOT363	MBT3904DW1	DN	dual 2N3904
MB		BF995	W	n-ch vhf dg mosfet BF961
MB		MBT3904DW9		dual 2N3904
MB	SOT143	BF995		FET
MB	SOT23	2SC3098		NPN
MB	SOT23	FMMT-A56R		PNP
MC	SOT23	2SC3099		NPN
MC	SOT23	BFS17P		NPN
MC	SOT23	ZVN3306F		MOSFET
MC	SOT23	ZVN3306F	M	n-ch mosfet 60V 150mA
MCs	SOT23	BFS17P	N	BFW92
MCs	SOT323	BFS17PW	N	BFW92
MD	SOT143	BF996		FET
MD	SOT23	2SA1245		PNP
ME	SOT143	BF993		FET
ME	SOT23	2SC3429		NPN
ME	SOT89	2SC3268		NPN
MF	SOT23	ZVN3310F		MOSFET
MF	SOT23	ZVN3310F	M	n-ch mosfet 100V 100mA
MG		BF994S	W	BF964 n-ch dg vhf mosfet
MG	SOT143	BF994S		FET
MH		BF996S	W	BF966 n-ch dg vhf mosfet
MH	SC59	M1MA151K		dioda
MH	SOT143	2SC3609		NPN
MH	SOT143	BF996S		FET
MH	SOT23	2SC3606		NPN
MH	SOT323	M1MA141		dioda
MH	SOT323	M1MA141KT	C	40V 100mA sw diode
MH	SOT346	M1MA151KT	C	40V 100mA sw diode
MH	SOT89	2SC3607		NPN
MI	SOT323	M1MA142KT	C	80V 100mA sw diode
MI	SOT346	M1MA152KT	C	80V 100mA sw diode
MK	SOT143	2SC4315		NPN
MK	SOT143	BF997		FET
MI	SOT143	2SC3745		NPN

ML	SOT23	ZVP3306F		MOSFET
ML	SOT23	ZVP3306F	M	p-ch mosfet 60V 90mA
MI	SOT323	M1MA142		dioda
MN	SC59	M1MA151WA		dioda-2x
MN	SOT143	2SC4320		NPN
MN	SOT23	2SC4317		NPN
MN	SOT323	M1MA141WA		dioda-2x
MN	SOT323	M1MA141WA	A	d diode ca 40V 100mA
MN	SOT346	M1MA151WA	A	d diode ca 40V 100mA
MN	SOT89	2SC4318		NPN
MO	SOT143	2SC4324		NPN
MO	SOT143	BF998		FET
MO	SOT143R	BF998R		FET
MO	SOT23	2SC4322		NPN
MO	SOT323	M1MA142W	A	d diode ca 80V 100mA
MO	SOT323	M1MA142WA		dioda-2x
MO	SOT346	M1MA152W	A	d diode ca 80V 100mA
MO	SOT89	2SC2873Y		NPN
MO8	SOT23	PMBFJ308		FET
MOR	SOT143R	BF998R	UQ	n-ch vhf dg mosfet BF988
MOs	SOT143	BF998	W	n-ch vhf dg mosfet BF988
MR	SOT23	ZVP3310F		MOSFET
MR	SOT23	ZVP3310F	M	p-ch mosfet 100V 75mA
MR	SOT343	BF998W	UQ	n-ch vhf dg mosfet BF988
MS		CF739	W	dg GaAsfet 2GHz
MS	SOT143	CF739		GaAsFET
MT	SC59	M1MA151WK		dioda-2x
MT	SOT23	ZVP1320F		MOSFET
MT	SOT323	M1MA141WK		dioda-2x
MT	SOT323	M1MA141WK	B	dual diode cc 40V 100mA
MT	SOT346	M1MA151WK	B	dual diode cc 40V 100mA
MU	SOT23	ZVN3320F		MOSFET
MU	SOT323	M1MA142WK		dioda-2x
MU	SOT323	M1MA142WK	B	dual diode cc 80V 100mA
MU	SOT346	M1MA152WK	B	dual diode cc 80V 100mA
MV	SOT23	BS170F		MOSFET
MX		CF750	U	biased dg GaAsfet, 3-6V
MX	SOT143	CF750		GaAsFET
MX	SOT23	BS250F		MOSFET
MY		BF1012	W	n-ch dg mosfet 1GHz 12V
MY	SOT23	VN10LF		MOSFET
MY	SOT23	VN10LF	M	n-ch mosfet 60V 150mA
MY	SOT89	2SC2873		NPN
MZ		BF1005	W	n-ch dg mosfet 1GHz 5V
MZ	SOT23	ZVN4106F		MOSFET
MZ	SOT23	ZVN4106F	M	n-ch mosfet 60V 200mA
N		DAN202K	B	80V 100mA dual diode
N	SOT23	2SC3138		NPN
N	SOT89	2SA1213		PNP
N0	SOT23	TN0200T	M	n-ch mosfet 0.6A Id
N0	SOT323	BFS505		NPN
N05		SO2484	N	2N2484
N08		SO930	N	2N930
N1		MMBT100	N	npn gp sw 500mA
N1	SOT23	BFR53		NPN
N1	SOT23	MMBF201N	M	n-ch tmosfet 20V 0.3A Id
N1	SOT23	TN0201T		MOSFET

N1	SOT23	TN0201T	M	n-ch mosfet 0.3A Id 0.2W
N1	SOT416	MRF571	N	8 GHz 40mA npn RF
N1	SOT89	FCK491		NPN
N10		SO918	N	2N918
N10	SOT23	S0918		NPN
N10	SOT89	ZVN2120Z		MOSFET
N11		SO2369	N	2N2369
N11	SOT23	S02369		NPN
N12		SO2221	N	2N2221
N12	SOT23	S02221		NPN
N13		SO2222	N	2N2222
N13	SOT23	S02222		NPN
N16	SOT89	ZVN2106Z		MOSFET
N18		SO1711	N	2N1711
N18	SOT23	S01711		NPN
N2		MMBC1653N2	N	npn 130V 50mA hfe 50-130
N2		MMBT200	N	pnp gp sw 500mA
N2	SOT23	MMBC1653N2		NPN
N2	SOT323	BFS520		NPN
N2	SOT323	BFS520	N	npn RF 9GHz 70mA
N2	SOT89	FCX491A		NPN
N20		SO2222A	N	2N2222A
N20	SOT23	S02222A		NPN
N26	SOT89	ZVN4206Z		MOSFET
N27		SO1893	N	2N1893
N27	SOT23	S01893		NPN
N28	SOT23	BFR520		NPN
N28	SOT23	BFR520	N	npn RF 9GHz 70mA
N29	SOT23	BFR540	N	npn RF 9GHz 120mA
N3		MMBC1653N3	N	npn 130V 50mA hfe 100-220
N3	SOT23	MGSF1N03L	M	n-ch TMOS mosfet 30V 0.75A
N3	SOT23	MMBC1653N3		NPN
N3	SOT89	FCX649		NPN
N30	SOT23	BFR505		NPN
N30	SOT23	BFR505	N	npn RF 9GHz 15V 18mA
N33	SOT143	BFG505		NPN
N33	SOT143	BFG505	TQ	npn RF 9GHz 15V 18mA
N36	SOT143	BFG520		NPN
N36	SOT143	BFG520	X	npn RF 9GHz 70mA
N37	SOT143	BFG540	X	npn RF 9GHz 120mA
N38	SOT143	BFG590	TQ	npn RF 5GHz 15V 0.2A
N39		BFG505X	X	npn RF 9GHz 15V 18mA
N39	SOT143	BFG505/X		NPN
N4		MMBC1653N4	N	npn 130V 50mA hfe 150-330
N4	SOT23	MMBC1653N4		NPN
N4	SOT323	BFS540		NPN
N4	SOT89	FCX2369		NPN
N42	SOT143	BFG520/X		NPN
N44		BFG590X	X	npn RF 5GHz 15V 0.2A
N45	SOT143R	BFG505/XR		NPN
N48	SOT143R	BFG520/XR		NPN
N5		MMBC1654N5	N	npn 160V 50mA hfe 50-130
N5	SOT23	MMBC1654N5		NPN
N5	SOT89	FCX2369A		NPN
N54		SO2221A	N	2N2221A
N54	SOT23	S02221A		NPN
N58	SOT89	FCX458		NPN

N6		MMBC1653N6	N	npn 160V 50mA hfe 100-220
N6	SOT23	MMBC1654N6		NPN
N6	SOT323	BFS25A		NPN
N6	SOT323	BFS25A	N	npn RF 5GHz 6.5mA 32 mW
N6	SOT89	FCX749		PNP
N7		MMBC1653N7	N	npn 160V 50mA hfe 150-330
N7	SOT23	MMBC1654N7		NPN
N70	SOT143	BFG10	TQ	npn 8V 250mA 1.8GHz pwramp
N71		BFG10X	X	8V 250mA 1.8GHz pwr amp
N71		SO3904	N	2N3904
N71	SOT23	SO3904		NPN
N72		SO3903	N	2N3903
N72	SOT143	BFG11	TQ	8V 400mA 1.8GHz pwr amp
N72	SOT23	SO3903		NPN
N73		BFG11X	X	8V 400mA 1.8GHz pwr amp
N79		SO5550	N	2N5550
N79	SOT23	SO5550		NPN
N8	SOT89	FCX653		NPN
N80		SO5551	N	2N5551
N80	SOT23	SO5551		NPN
N81		SO2369A	N	2N2369A
N9	SOT416	DAN222	B	dual cc si diode
N9	SOT89	FCX5550		NPN
N91		SO642	N	npn Vce 300V
N91	SOT23	SO642		NPN
N94		SO517	N	npn darlington
N94	SOT23	SO517		NPN
N95	SOT89	FCX495		NPN
NA		CFY35-20	DM	10GHz GaAsfet
NA	SOT23	BFS20		NPN
NA	SOT23	FMMT-A05R		NPN
NB		CFY35-23	DM	10GHz GaAsfet
NB	SOT23	BF599		NPN
NB	SOT23	FMMT-A55R		PNP
NC	SOT23	BF840		NPN
ND	SOT23	BF841		NPN
NO	SOT89	2SA1213Y		PNP
NO5	SOT23	SO2484		NPN
NO8	SOT23	SO930		NPN
NY		BF1012s	W	n-ch dg mosfet 1GHz 12V
NY	SOT89	2SA1213		PNP
NZ		MGSF1N02L	M	n-ch TMOS FET
O	SOT23	2SA1255		NPN
O (white)	SOD323	BAT14-03W	I	RF Schottky 4V 90mA
O05		SO2484R	R	2N2484
O05	SOT23	SO2484R		NPN
O08		SO930R	R	2N930
O08	SOT23	SO930R		NPN
O10		SO918R	R	2N918
O10	SOT23	SO918R		NPN
O11	SOT23	SO2369R		NPN
O12		SO2221R	R	2N2221
O12	SOT23	SO2221R		NPN
O13		SO2222R	R	2N2222
O13	SOT23	SO2222R		NPN
O2	SOT23	BST82		FET
O2	SOT23	BST82	M	n-ch mosfet 80V 175mA

O20		SO2222AR	R	2N2222A
O20	SOT23	S02222AR		NPN
O27		SO1893R	R	2N1893
O27	SOT23	S01893R		NPN
O54		SO2221AR	R	2N2221A
O54	SOT23	S02221AR		NPN
O71	SOT23	S03904R		NPN
O72	SOT23	S03903R		NPN
O79		SO5550R	R	2N5550
O79	SOT23	S05550R		NPN
O80		SO5551R	R	2N5551
O80	SOT23	S05551R		NPN
O91		SO642R	R	npn Vce 300V
O91	SOT23	SO642		NPN
OB	SOT23	BCW67B		PNP
P		DAP202K	A	80V 100mA dual
P	SOT23	2SC3295		NPN
P	SOT89	2SC2884		NPN
P	URD	KV1841E	I	uhf varicap 7-15pF
P (white)	SOD323	BAT15-03W	I	RF Schottky 4V 100mA
P0	SOT173	BFP90A	CX	BFG90A
P0	SOT23	HSMS-2850	C	zero-bias schottky diodeW det
P0	SOT23	TP0101T	M	p-ch mosfet 0.5A 12V
P0	SOT323	HSMS-285B	C	zero-bias schottky diodeW det
P01		SO2906	N	2N2906
P01	SOT23	FMMJ201		FET
p01	SOT23	PDTA143ET	N	pnp 4k7+4k7 bias res
P01	SOT23	SST201	F	J201 n-ch fet
P02	SOT23	FMMJ202		FET
p02	SOT23	PDTC143ET	N	npn 4k7+4k7 bias res
P02	SOT23	SST202	F	J202 n-ch fet
P03		SO2907A	N	2N2907A
P03	SOT23	FMMJ203		FET
P03	SOT23	SST203	F	J203 n-ch fet
P04	SOT23	FMMJ204		FET
P04	SOT23	SST204	F	J204 n-ch fet
P05		SO2907	N	2N2907
P06		SO2894	N	2N2894
P1	SOT173	BFP91A	CX	BFG91A
P1	SOT23	BFR92		NPN
P1	SOT23	BFR92	N	BFR90
P1	SOT23	SST201		JFET
P1	SOT23	SST201	F	J201 n-ch jfet
P1	SOT89	FCX591		PNP
p11	SOT23	PDTA114TT	N	pnp + res
P12		SO2906A	N	2N2906A
p12	SOT23	PDTC114TT	N	npn + res
P12	SOT23	S02906A		PNP
p16	SOT23	PDTC114ET	N	npn + res
P16	SOT89	ZVP2106Z		MOSFET
p17	SOT23	PDTC124ET	N	npn + res
p18	SOT23	PDTC143ZT	N	npn 4k7+47k bias res
P18	SOT23	S0679		PNP
p19	SOT23	PDTA143ZT	N	pnp 4k7+47k bias res
p1A	SOT23	PMMT3904	N	2N3904
P1A	SOT323	PMST3904		NPN
p1A	SOT89	PXT3904	N	2N3904

p1B	SOT23	PMBT2222	N	2N2222
P1D		PZTA42	P	MPSA42 10mA 300V npn
P1D		PZTA42	P	MPSA42 300V npn
P1D	SOT223	PZTA42T1		NPN
P1D	SOT23	PMBTA42		NPN
p1D	SOT23	PMBTA42	N	MPSA42 300V npn
p1D	SOT89	PXTA42	N	MPSA42 300V npn
P1E	SOT23	PMBTA43		NPN
P1F		PZT2222A	P	2N2222A sw npn
P1F	SOT223	PZT2222AT1		NPN
p1F	SOT23	PMBT5550	N	2N5550 140V npn
P1G	SOT23	PMBTA06		NPN
p1G	SOT23	PMMTA06	N	MPSA06
P1H	SOT23	PMBTA05		NPN
p1J	SOT23	PMBT2369	N	2N2369
p1K	SOT23	PMBT6428	N	MPSA18 50V
p1L	SOT23	PMBT6429	N	MPSA18 45V
p1M	SOT23	PMBTA13	N	MPSA13 darlington
p1M	SOT89	PXTA13	N	MPSA13 darlington
P1N		PZTA14	P	MPSA14 darlington
P1N		PZTA14	P	nnp darlington MPSA14
P1N	SOT223	PZTA14T1		NPN
p1N	SOT23	PMBTA14	N	MPSA14 darlington
p1N	SOT89	PXTA14	N	MPSA14 darlington
p1P	SOT23	PMBT2222A	N	2N2222A
p1P	SOT89	PXT2222A	N	2N2222A
p1Q	SOT23	PMBT5088	N	MPSA18 Vce 30V
P1Q	SOT323	PMST5088		NPN
P1R	SOT323	PMST5089		NPN
P2	SOT23	BFR92A		NPN
P2	SOT23	BFR92A	N	BFR90A
P2	SOT23	HSMSM-2852	D	dual series HSMS-285B
P2	SOT23	SST202		JFET
P2	SOT323	BFR92AW		NPN
P2	SOT323	HSMSM-285C	D	dual series HSMS-285B
P2	SOT89	FCX591A		PNP
P25		SO3906	N	2N3906
P25	SOT23	SO3906		PNP
P26		SO3905	N	2N3905
P26	SOT23	SO3905		PNP
p2A	SOT23	PMBT3906	N	>2N3906
P2A	SOT323	PMST3906		PNP
p2A	SOT89	PXT3906	O	2N3906
p2B	SOT23	PMBT2907	N	2N2907
P2D		PZTA92	P	MPSA92 300V pnp
P2D	SOT223	PZTA92T1		PNP
P2D	SOT23	PMBTA92		PNP
p2D	SOT23	PMBTA92	N	MPSA92 pnp Vce 300V
p2D	SOT89	PXTA92	O	MPSA92 pnp Vce 300V
P2E	SOT23	PMBTA93		PNP
P2F		PZT2907A	P	2N2907A sw pnp
P2F	SOT223	PZT2907AT1		PNP
p2F	SOT23	PMBT2907A	N	2N2907A
p2F	SOT89	PXT2907A	O	2N2907A
P2G	SOT23	PMBTA55		PNP
p2G	SOT23	PMBTA56	N	MPSA56
P2H	SOT23	PMBTA56		PNP

p2L	SOT23	PMBT5401	N	2N5401 pnp 150V
P2p	SOT323	BFR92AW	N	BFR90A
p2T	SOT23	PMBT4403	N	2N4403
P2T	SOT323	PMST4403		PNP
p2T	SOT89	PXT4403	O	2N4403
P2V		PZTA64	P	MPSA64 darlington
P2V	SOT223	PZTA64T1		PNP
p2V	SOT89	PXTA64	O	MPSA64 darlington
p2X	SOT23	PMBT4401	N	2N4401
P2X	SOT323	PMST4401		NPN
p2X	SOT89	PxT4401	O	2N4401
P3		TP0202T	M	p-ch mosfet 0.3A 20V
P3	SOT23	MMBF2202P	M	p-ch TMOSfet 0.3A 20V
P3	SOT23	TP0202T		MOSFET
P32		SO5400	N	2N5400
P32	SOT23	S05400		PNP
P33		SO5401	N	2N5401
P33	SOT23	S05401		PNP
P38	SOT23	SST4338	F	2N4338
P39		SO692		pnp Vce 300V
P39		SST4339	F	2N4339
P39	SOT23	S0692		PNP
P4	SOT23	BFR92R		NPN
P4	SOT23	SST204		JFET
P4	SOT23R	BFR92R	R	BFR90
P40	SOT23	SST4340	F	2N4340
P41	SOT23	SST4341	F	2N4341
P5		FMMT2369A	N	2N2369A
P5	SOT143	HSMSM-2855	S	separate pair HSMS-2850
P5	SOT23	BFR92AR		NPN
P5	SOT23	FMMT2369A		NPN
P5	SOT23R	BFR92AR	R	BFR90A
P57	SOT23	SST5457	F	2N5457
P58	SOT23	SST5458	F	2N5458
P58	SOT89	FCX558		PNP
P59	SOT23	SST5459	F	2N5459
P6	SOT173	BFP96	CX	BFG96
P60	SOT23	SST5460	F	2N5460
P61	SOT23	SST5461	F	2N5461
P62	SOT23	SST5462	F	2N5462
P63	SOT23	SST5463	F	2N5463
P64	SOT23	SST5464	F	2N5464
P65	SOT23	SST5465	F	2N5465
P6A	SOT23	PMBF4416		FET
P8	SOT143	BFG92A		NPN
P8	SOT89	FCX753		PNP
P89	SOT89	FCX589		PNP
P8A	SOT23	FLLD258	B	low leakage dual ca Si diode
P9	SOT23	BCX70KR		NPN
P9	SOT23R	BCX70KR	R	BCY59-x
P9	SOT416	DAP222	A	dual ca sw diode
P9	SOT89	FCX5401		PNP
P96	SOT89	FCX596		PNP
PA	SOT23	BA885		dioda
PC	SOT23	BA886		dioda
PC	SOT23	MGSF1P02L	M	p ch enh tmosfet
PD	SOT23	BSS84L	M	p-ch enh tmosfet

pG3	SOT323	PMST5551	N	2N5551
PH2	SOT23	SST4302	F	2N4302
PH3	SOT23	SST4303	F	2N4303
PH4	SOT23	SST4304	F	2N4304
pJ1	SOT23	BSH101	M	n-ch 60V 0.7A mosfet
pJ2	SOT23	BSH102	M	n-ch 30V 1A mosfet
pJ3	SOT23	BSH103	M	n-ch 30V 0.8A mosfet
PL	SOD323	BB149A	I	2-18pF varicap
PO1	SOT23	S02906		PNP
PO3	SOT23	S02907A		PNP
PO4	SOT323	PMSS3904		NPN
PO5	SOT23	S02907		PNP
PO6	SOT23	S02894		PNP
PO6	SOT323	PMSS3906		PNP
POs	SOT23	BAR64	C	single 200V RF pin
PPs	SOT23	BAR64-04	D	dual series 200V RF pin
PPs	SOT323	BAR64-04W	D	dual series 200V RF pin
PRs	SOT23	BAR64-05	B	dual cc 200V RF pin
PRs	SOT323	BAR64-05W	B	dual cc 200V RF pin
PSs	SOT23	BAR64-06	A	dual ca 200V RF pin
PSs	SOT323	BAR64-06W	A	dual ca 200V RF pin
Q	SOT23	2SC2714		NPN
Q2	SOT23	MMBC1321Q2		NPN
Q3		MMBC1321Q3	N	npn VHF amp fT 0.6GHz
Q3	SOT23	MMBC1321Q3		NPN
Q4		MMBC1321Q4	N	npn VHF amp fT 0.6GHz
Q4	SOT23	MMBC1321Q4		NPN
Q5		MMBC1321Q5	N	npn VHF amp fT 0.6GHz
Q5	SOT23	MMBC1321Q5		NPN
QQ		2SC4536	P	npn RF fT 5.7GHz 2W hFE40-80
QR		2SC4536	P	npn RF fT 5.7GHz 2W hFE60-120
QS		2SC4536	P	npn RF fT 5.7GHz 2W hFE100-200
R	SCD80	BA895	I	
R	SOD123	BA585	I	pin diode 50mA max
R	SOT23	2SC2715		NPN
R	SOT89	2SA1204		PNP
R (white)	SOD323	BA595	I	UHF pin diode 50mA max
R (yellow)	SOD323	BA597	I	UHF pin diode 100mA max
R1	SOT23	BFR93		NPN
R1	SOT23	BFR93	N	BFR91
R1	SOT23	HSMS-8101	K	10-14GHz schottky mixer
R1	SOT23	TN2010T		MOSFET
R13		2SC4885	WQ	npn RF fT 3.5GHz
R2		2SC2351P	N	pnP RF fT 4.5 GHz hfe 40-120
R2		2SC4225	N	npn RF fT 4GHz hfe 40-120
R2	SOT23	BFR93A		NPN
R2	SOT23	BFR93A	N	BFR91A
R2	SOT323	BFR93A		NPN
R22		2SC3356	N	npn RF fT 7GHz 20V 0.2W
R23		2SC3356Q	N	npn RF fT 7GHz hfe 50-100
R23		2SC4336	N	npn RF fT 4.5 GHz hfe 40-80
R24		2SC3356R	N	npn RF fT 7GHz hfe 80-160
R24		2SC4336	N	npn RF fT 4.5 GHz hfe 70-140
R25		2SC3356S	N	npn RF fT 7GHz hfe 125-250
R25		2SC4336	N	npn RF fT 4.5 GHz hfe 125-250
R26		2SC4093	WQ	npn RF fT 6.5 GHz hfe 50-100
R26		2SC5011	WQ	As 2SC4093 but mini-moldpkg

R27		2SC4093	WQ	npn RF FT 6.5 GHz hfe 80-160
R27		2SC5011	WQ	As 2SC4093 but mini-moldpkg
R28		2SC4093	WQ	npn RF FT 6.5 GHz hfe 125-250
R28		2SC5011	WQ	As 2SC4093 but mini-moldpkg
R3		2SC2351Q	N	pnnp RF FT 4.5 GHz hfe 100-200
R3		2SC4225	N	npn RF FT 4GHz hfe 100-200
R32		2SC3583	N	npn RF FT 9GHz @ 20mA
R33		2SC3583Q	N	npn RF FT 9GHz hfe 50-100
R33		2SC4227	NN	npn RF FT 7 GHz hfe 40-90
R34		2SC3583R	N	npn RF FT 9GHz hfe 80-160
R34		2SC4227	NN	npn RF FT 7 GHz hfe 70-150
R35		2SC3583S	N	npn RF FT 9GHz hfe 125-250
R35		2SC4227	NN	npn RF FT 7 GHz hfe 110-240
R36		2SC4094	WQ	npn RF FT 9GHz hfe 50-100
R36		2SC5012	WQ	2SC4094 but min-mold pkg
R37		2SC4094	WQ	npn RF FT 9GHz hfe 80-160
R37		2SC5012	WQ	2SC4094 but min-mold pkg
R38		2SC4094	WQ	npn RF FT 9GHz hfe 125-250
R38		2SC5012	WQ	2SC4094 but min-mold pkg
R4		2SC4092	WQ	npn RF FT 6GHz hfe 40-120
R4		BFR93R	R	BFR91
R4	SOT23	BFR93R		NPN
R42		2SC3585	N	npn RF FT 10GHz @ 10mA
R43		2SC3585Q	N	npn RF FT 10GHz hfe 50-100
R43		2SC4228	N	npn RF FT 8.5GHz hfe 50-100
R44		2SC3585R	N	npn RFFT 10GHz hfe 80-160
R44		2SC4228	N	npn RF FT 8.5GHz hfe 80-160
R45		2SC3585S	N	npn RF FT 10GHz hfe 125-250
R45		2SC4228	N	npn RF FT 8.5GHz hfe 125-250
R46		2SC5013	WQ	npn FT10GHz mini-mold pkg
R47		2SC5013	WQ	npn FT10GHz mini-mold pkg
R48		2SC5013	WQ	npn FT10GHz mini-mold pkg
R5		2SC4092	WQ	npn RF FT 6GHz hfe 100-200
R5	SOT143	HSMS-8205	S	separate pair HSMS-8101
R5	SOT23	BFR93AR		NPN
R5	SOT23R	BFR93AR	R	BFR91A
R62		2SC3663	N	npn RF FT 4GHz @1mA
R64		2SC4091	WQ	npn RF FT 4GHz @1mA
R66		2SC4091Q	WQ	npn RF FT 4GHz hfe 50-100
R66		2SC4091R	WQ	npn RF FT 4GHz hfe 80-160
R66		2SC4091S	WQ	npn RF FT 4GHz hfe 125-250
R6A		2SC4187	NN	npn RF FT 4GHz hfe 50-100
R6B		2SC4187	NN	npn RF FT 4GHz hfe 80-160
R6C		2SC4187	NN	npn RF FT 4GHz hfe 125-250
R7	SOT145	HSMS-8207	RQ	HSMS-8101 ring quad mixer
R7	SOT23	BFR106		NPN
R7	SOT23	BFR106	N	BFR96S
R8	SOT143	BFG93A		NPN
R8	SOT143	BFG93A	TQ	BFG90
RA	SOT143	BF772		NPN
RA	SOT23	2SC3718		NPN
RA	SOT23	BFQ81		NPN
RA	SOT23	BFQ81	N	BFQ69 npn FT 5.8GHz
RAs	SOT143	BF772	X	npn RF TV tuners
RB		MSC1621	H	npn sw 20V 200MHz
RB	SC59	MSC1621T1		NPN
RB	SOT23	2SK711		JFET

RB	SOT23	BF771		NPN
RBs	SOT23	BF771	N	npn RF ft 8GHz
RBs	SOT323	BF771W	N	npn RF ft 8GHz
RC	SOT143	BFP193		NPN
RC	SOT23	BFR193		NPN
RC	SOT89	BFQ193		NPN
RCs	SC75	BFR193T	N	BFQ82 npn ft 8GHz
RCs	SOT143	BFP193	X	BFQ82 npn ft 8GHz
RCs	SOT23	BFR193	N	BFQ82 npn ft 8GHz
RCs	SOT343	BFP193W	WQ	BFQ82 npn ft 8GHz
RD	SOT143	BFP180		NPN
RD	SOT23	BFR180		NPN
RDs	SOT143	BFP180	X	npn RF 8V 4mA ft 7GHz
RDs	SOT23	BFR180	N	npn RF 8V 4mA ft 7GHz
RDs	SOT323	BFR180W	N	npn RF 8V 4mA ft 7GHz
RDs	SOT343	BFP180W	WQ	npn RF 8V 4mA ft 7GHz
RE		2SC3357	N	npn RF 1.2W ft 6.5GHz
RE	SOT143	BFP280		NPN
RE	SOT23	BFR280		NPN
REs	SOT143	BFP280	X	npn RF 8V 8mA ft 7.5GHz
REs	SOT23	BFR280	N	npn RF 8V 8mA ft 7.5GHz
REs	SOT323	BFR280W	N	npn RF 8V 8mA ft 7.5GHz
REs	SOT343	BFP280W	WQ	npn RF 8V 8mA ft 7.5GHz
REs	SOT363	BFS480	DJ	dual RF npn ft 7GHz
RF		2SC3357	N	npn RF 1.2W ft 6.5GHz
RF	SOT143	BFP181		NPN
RF	SOT23	BFR181		NPN
RFs	SOT143	BFP181	X	npn RF 12V 20mA ft 8GHz
RFs	SOT23	BFR181	N	npn RF 12V 20mA ft 8GHz
RFs	SOT343	BFP181W	WQ	npn RF 12V 20mA ft 8GHz
RFs	SOT363	BFS481	DJ	Dual BFR181
RG	SOT143	BFP182		NPN
RG	SOT23	BFR182		NPN
RGs	SC75	BFR182T	N	npn RF12V 35mA ft 8GHz
RGs	SOT143	BFP182	X	npn RF12V 35mA ft 8GHz
RGs	SOT23	BFR182	N	npn RF12V 35mA ft 8GHz
RGs	SOT323	BFR182W	N	npn RF12V 35mA ft 8GHz
RGs	SOT343	BFP182W	WQ	npn RF12V 35mA ft 8GHz
RGs	SOT363	BFS482	DJ	Dual BFR182
RH		2SC3357	N	npn RF 1.2W ft 6.5GHz
RH	SOT143	BFP183		NPN
RH	SOT23	BFR183		NPN
RHs	SC75	BFR183T	N	npn RF 12V 65mA ft8GHz
RHs	SOT143	BFP183	X	npn RF 12V 65mA ft 8GHz
RHs	SOT23	BFR183	N	npn RF 12V 65mA ft 8GHz
RHs	SOT323	BFR183W	N	npn RF 12V 65mA ft 8GHz
RHs	SOT343	BFP183W	WQ	npn RF 12V 65mA ft 8GHz
RHs	SOT363	BFS483	DJ	Dual BFR183 npn RF
RI	SOT143	BFP196	X	pnp RF 12V 100mA Ft 7.5GHz
RK		2SC3357	N	npn RF 1.2W ft 6.5GHz
RK	SOT143	BFP194		PNP
RK	SOT23	BFR194		PNP
RKs	SOT143	BFP194	X	pnp RF 15V 100mA Ft 5GHz
RKs	SOT233	BFR194	N	pnp RF 15V 100mA Ft 5GHz
RI	SOT143	BFP196		NPN
RR	SOT23	BFR93P	N	BFR91
RW		BFR194	N	pnp RF amp 1.5GHz

S		BB811	I	9.8pF @ 1V 30V max
S	SOD523	BAP64-02	I	3GHz pin diode
S	SOT23	2SA1162		NPN
S	SOT89	2SC2982		NPN
S (blue)	SOD323	BA592	I	BA282
S (red)	SOD323	BB640	I	70-3pF varicap
S (white)	SOD323	BB535	I	18-2pF varicap
S (yellow)	SOD323	BB639	I	39-2.7pF varicap
S0	SOT23	HSMP-3880	C	pin sw diode
S0	SOT23	SST270		JFET
S1	SOT23	BBY31		VCAPdioda
S1	SOT23	BBY31	C	BB405
S1	SOT23	HSMP-3881	K	pin sw diode
S1	SOT23	SST271		JFET
S12	SOT23	BBY39		VCAPdioda-2x
S12	SOT23	BBY39	B	2x BBY31
S13	SOT143	KSY13		HALLEFFECT
S13	SOT23	BBY42		YCAPdioda
S14	SOT23	BB901		VCAPdioda
S14	SOT23	SST5114	F	2N5114
S15	SOT23	SST5115	F	2N5115
S16	SOT23	SST5116	F	2N5116
S2		BFQ31	N	npn vhf 15V 0.1A
S2	SOT23	BBY40		VCAPdioda
S2	SOT23	BBY40	C	BB809
S2	SOT23	BFQ31		NPN
S2	SOT23	MMBA813S2		PNP
S3		BFQ31R	R	npn vhf 15V 0.1A
S3	SOT23	BBY51	B	dual cc varicap
S3	SOT23	BFQ31R		NPN
S3	SOT23	MMBA813S3		PNP
S4		BFQ31A	N	npn vhf 15V 0.1A
S4	SOT143	BBY62		VCAPdioda-2x
S4	SOT23	BFQ31A		NPN
S4	SOT23	MMBA813S4		PNP
S4	SOT23	SST174		JFET
S5		BFQ31AR	R	npn vhf 15V 0.1A
S5	SOT143	BAT1		5-099dioda-2x
S5	SOT143	BAT15-099	NQ	Dual BAT15 schottky
S5	SOT23	BBY52	B	dual cc varicap
S5	SOT23	BFQ31AR		NPN
S5	SOT23	SST175		JFET
S6		BAT15-099R	DQ	Ring quad BAT15 schottky
S6		BF510	G	BF410A
S6	SOT143	BAT15-099R		diodax4
S6	SOT23	BF510		FET
S6	SOT23	SST176		JFET
S7		BF511	G	BF410B
S7	SOT143	BAT114-099	NQ	Dual schottky
S7	SOT23	BF511		FET
S7	SOT23	SST177		JFET
S7	SOT23	SST177	F	J177 p-ch analogsw jfet
S70	SOT23	SST270	F	J270 p-ch jfet
S71	SOT23	SST271	F	J271 p-ch jfet
S74	SOT23	FMMJ174		FET
S74	SOT23	SST174	F	J174 p-ch fet
S75	SOT23	FMMJ175		FET

S75	SOT23	SST175	F	J175 p-ch fet
S76	SOT23	FMMJ176		FET
S76	SOT23	SST176	F	J176 p-ch fet
S77	SOT23	FMMJ177		FET
S77	SOT23	SST177	F	J177 p-ch fet
S7s	SOT23	BBY53-05	B	dual cc varicap
S7s	SOT323	BBY53-05W	B	dual cc varicap
S8		BF512	G	BF410C
S8	SOT143	BAT14-099	NQ	Dual schottky
S8	SOT143	BAT14-099R		diodax4
S8	SOT23	BF512		FET
S9		BAT14-099R	DQ	Quad crossover ring schottky
S9		BF513	G	BF410D
S9	SOT143	BAT14-099		dioda-2x
S9	SOT23	BF513		FET
SA	SOT23	BSS123		MOSFET
SA	SOT23	BSS123	M	n-ch mosfet 100V 0.17A
SAA	SOT23	BSS123A		MOSFET
SD	SOT23	BSS284	M	p-ch mosfet 50V 0.13A
SE		2SC4703	P	npn RF 1.8W fT 6GHz
SF		2SC4703	P	npn RF 1.8W fT 6GHz
SF	SOT23	BB804		VCAPdioda
SF	SOT23	SP0610T		MOSFET
SFs	SOT23	BB804	A	dual 45-26pF cc VHF varicap
SG	SOT23	SN7002		MOSFET
SH		2SC4703	P	npn RF 1.8W fT 6GHz
SH	SOT23	BB814		VCAPdioda-2x
SH	SOT23	BSS119		MOSFET
SH2	SOT23	BB814	A	dual 45-20pF cc varicap
SLR	SOT23	BC858RC		PNP
SM	SOT23	BB914	B	dual varicap for FM radio
SP	SOT23	BSS84		MOSFET
SP	SOT23	BSS84	M	p-ch mosfet 50V 0.13A
SR	SOT23	BSS131		MOSFET
SR	SOT23	BSS131	M	n-ch mosfet 240V 0.1A
SS	SOT23	BSS138		MOSFET
SS	SOT23	BSS138	M	n-ch mosfet 50V 0.22A
sSG	SOT23	SN7002	M	n-ch mosfet 60V 0.19A
ST	SOT23	BSS139		MOSFET
ST	SOT23	BSS139	M	n-ch dep mosfet 250V 0.04A
T	SCD80	BAR67-02W	I	
T	SOD323	BB515	I	varicap 17.7pf @ 1V 30Vmax
T	SOT23	2SK302		MOSFET
T	SOT89	2SA1314		PNP
T0		TP0601T	M	p-ch mosfet 60V 0.12A
T0	SOT23	HSMS-2860	C	zero bias schottky diode
T0	SOT23	TP0610T		MOSFET
T0	SOT323	HSMS-286B	C	zero bias schottky diode
t01	SOT23	PDTA143ET	N	pnp 4k7+4k7 bias res
t02	SOT23	PDTC143ET	N	npn 4k7+4k7 bias res
t04	SOT23	PMBS3904	N	2N3904
t06	SOT23	PMBS3906	N	2N3906 in
T1		IMT1A	DA	2 x 2SA1037AK pnp
T1	SOT23	BCX17		PNP
T1	SOT23	BCX17	N	BC327
T1	SOT23	BSS63	N	pnp 100V 0.1A
t11	SOT23	PDTA114TT	N	pnp + res

t12	SOT23	PDTC114TT	N	npn + res
t16	SOT323	PDTC114EU	N	npn + res
t17	SOT323	PDTC124EU	N	npn + res
t18	SOT23	PDTC143ZT	N	npn 4k7+47k bias res
t19	SOT23	PDTA143ZT	N	pnnp 4k7+47k bias res
t1A	SOT23	PMMT3904	N	2N3904
t1A	SOT323	PMST3904	N	2N3904
t1B	SOT23	PMBT2222	N	2N2222
t1B	SOT233	PMST2222	N	2N2222
t1D	SOT23	PMBTA42	N	MPSA42 300V npn
t1D	SOT323	PMSTA42	N	MPSA42 300V npn
t1E	SOT23	PMBTA43	N	MPSA43 200V npn
t1E	SOT323	PMSTA43	N	MPSA43 200V npn
t1F	SOT23	PMBT5550	N	2N5550 140V npn
t1F	SOT323	PMST5550	N	2N5550 140V npn
t1G	SOT23	PMMTA06	N	MPSA06
t1G	SOT323	PMMTA06	N	MPSA06
t1H	SOT323	MMBTA05	N	MPSA05
t1J	SOT23	PMBT2369	N	2N2369
t1J	SOT323	PMBT2369	N	2N2369
t1K	SOT23	PMBT6428	N	MPSA18 50V
t1K	SOT323	PMBT6428	N	MPSA18 50V
t1L	SOT23	PMBT6429	N	MPSA18 45V
t1L	SOT323	PMBT6429	N	MPSA18 45V
t1M	SOT23	PMBTA13	N	MPSA13 darlington
t1N	SOT23	PMBTA14	N	MPSA14 darlington
T1N10	SOT223	MMFT1N10T1		MOSFET
T1p	SOT23	BCX17	N	BC327
t1P	SOT23	PMBT2222A	N	2N2222A
t1P	SOT323	PMST2222A	N	2N2222A
t1Q	SOT23	PMBT5088	N	MPSA18 Vce 30V
t1Q	SOT323	PMST5088	N	MPSA18 Vce 30V
t1R	SOT323	PMST5089	N	MPSA18 Vce 25V
T1t	SOT23	BCX17	N	BC327
T2		IMT2A	DB	2 x 2SA1037AK pnp
T2	SOT23	BCX18		PNP
T2	SOT23	BCX18	N	BC328
T2	SOT23	HSMS-2862	D	dual series HSMS-286B
T2	SOT23	TN2460T		MOSFET
T2	SOT323	HSMS-286C	D	dual series HSMS-286B
t23	SOT323	PDTA114TU	N	pnnp +10k Wypr. res
t24	SOT323	PDTC114TU	N	npn +10k res
T2406	SOT223	MMFT2406T1		MOSFET
t2A	SOT23	PMBT3906	N	2N3906
t2A	SOT323	PMST3906	N	2N3906
t2B	SOT23	PMBT2907	N	2N2907
t2D	SOT23	PMBTA92	N	MPSA92 pnp Vce 300V
t2D	SOT323	PMSTA92	N	MPSA92 pnp Vce 300V
t2E	SOT23	PMBTA93	N	MPSA93 pnp Vce 200V
t2E	SOT323	PMSTA93	N	MPSA93 pnp Vce 200V
t2F	SOT23	PMBT2907A	N	2N2907A
t2F	SOT323	PMBT2907A	N	2N2907A
t2G	SOT23	PMBTA56	N	MPSA56
t2G	SOT323	PMSTA56	N	MPSA56
t2H	SOT23	PMBTA55	N	MPSA55
t2H	SOT323	PMSTA55	N	MPSA55
t2L	SOT23	PMBT5401	N	2N5401 pnp 150V

t2L	SOT323	PMST5401	N	2N5401 pnp 150V
T2p	SOT23	BCX18	N	BC328
T2t	SOT23	BCX18	N	BC328
t2T	SOT23	PMBT4403	N	2N4403
t2T	SOT323	PMST4403	N	2N4403
t2U	SOT23	PMBTA63	N	MPSA63 darlington
t2V	SOT23	PMBTA64	H	MPSA64 darlington
t2X	SOT23	PMBT4401	N	2N4401
t2X	SOT323	PMST4401	N	2N4401
T3	SOT23	BSS63		PNP
T3	SOT23	BSS63	N	BSS68
T3	SOT23	HSMS-2863	A	ca dual HSMS-286B
T3	SOT323	HSMS-286E	A	ca dual HSMS-286B
T3166	SOT223	MMFT3166T1		MOSFET
T32		2SC4182	N	npn RF ft 1.1GHz @3V hfe60-105
T33		2SC4182	N	npn RF ft 1.1GHz @3V hfe85-150
T34		2SC4182	N	npn RF ft 1.1GHz @3V hfe120-220
T35	SOT23	BSR20		PNP
T36	SOT23	BSR20A		PNP
T4	SOT23	BCX17R		PNP
T4	SOT23	HSMS-2864	B	cc dual HSMS-286B
T4	SOT23R	BCX17R	R	BC327
T4	SOT323	HSMS-286F	B	cc dual HSMS-286B
T4	SOT363	MBD330DW	DL	dual UHF schottky diode
T42		2SC3545P	N	npn RF ft 2GHz Hfe 50-100
T42		2SC4184	N	npn RF ft1.8GHz hFE 40-80
T43		2SC3545Q	N	UHF osc/mix ft 2GHz Hfe70-140
T43		2SC4184	N	npn ft1.8GHz hFE 60-120
T44		2SC3545R	N	npn RF ft 2GHz Hfe 120-250
T44		2SC4184	N	npn RF ft1.8GHz hFE 100-200
T5	SOT143	HSMS-2865	S	separate dual HSMS-286B
T5	SOT23	BCX18R		PNP
T5	SOT23R	BCX18R	R	BC328
T52	SOT23	MMBTS102		TEMP.SENSOR
T53	SOT23	MMBTS103		TEMP.SENSOR
T55	SOT23	MMBTS105		TEMP.SENSOR
T6	SOT23	BSS63R		PNP
T6	SOT23R	BSS63R	R	BSS68
T6661	SOT223	MMFT6661T1		MOSFET
T7	SOT23	BSR15		PNP
T7	SOT23	BSR15	N	2N2907
T7	SOT23	SST4117		JFET
T71	SOT23	BSR15R		PNP
T71	SOT23R	BSR15R	R	2N2907
T72		2SC4568	N	npn RF ft 5.5GHz hFE 40-80
T72		2SC4570	N	npn RF ft 5.5GHz hFE 40-80
T73		2SC4568	N	npn RF ft 5.5GHz hFE 60-120
T73		2SC4570	N	npn RF ft 5.5GHz hFE 60-120
T74		2SC4568	N	npn RF ft 5.5GHz hFE 100-200
T74		2SC4570	N	npn RF ft 5.5GHz hFE 100-200
T75		2SC4569	N	npn RF ft 5GHz hFE 40-80
T75		2SC4571	N	npn RF ft 5GHz hFE 40-80
T76		2SC4569	N	npn RF ft 5GHz hFE 60-120
T76		2SC4571	N	npn RF ft 5GHz hFE 100-200
T76		2SC4571	N	npn RF ft 5GHz hFE 60-120
T77		2SC4569	N	npn RF ft 5GHz hFE 100-200
T7p	SOT23	BSR15	N	2N2907

T7t	SOT23	BSR15	N	2N2907
T8	SOT23	BSR16		PNP
T8	SOT23	BSR16	N	2N2907A
T8	SOT23	SST4118		JFET
T81	SOT23	BSR16R		PNP
T81	SOT23R	BSR16R	R	2N2907A
T82		2SC4954	N	npn RF FT12GHz @3V 5mA
T82		2SC4956	WQ	npn RF FT 12GHz @3V 5mA
T83		2SC4955	WQ	npn RF FT 12GHz @3V 10mA
T84		2SC5177	N	npn RF FT 13GHz @2V 7mA
T84		2SC5178	WQ	npn RF FT 13GHz @2V 7mA
T84		2SC5179		npn RF FT 13GHz @2V 7mA
T86		2SC5182	N	npn RF FT 12GHz @2V 20mA
T86		2SC5182	NN	npn RF FT 12GHz @2V 20mA
T86		2SC5183	WQ	npn RF FT 12GHz @2V 20mA
T88		2SC5191	N	npn RF FT 8.5GHz @3V 20mA
T88		2SC5192	WQ	npn RF FT 8.5GHz @3V 20mA
T88		2SC5193	N	npn RF FT 8.5GHz @3V 20mA
T89		2SC5288	WQ	npn RF
T8p	SOT23	BSR16	N	2N2907A
T8t	SOT23	BSR16	N	2N2907A
T9	SOT23	BSR18		PNP
T9	SOT23	SST4119		JFET
T90		2SC5289	WQ	npn RF
T92		2SC1977	WQ	pnp RF FT 8.5GHz
T92	SOT23	BSR18A		PNP
T92	SOT23	BSR18A	N	2N3904
T92P	SOT23	BSR18A	N	2N3904
T93		2SC1978	WQ	pnp RF FT 8.5GHz
TA	SOT23	KTY13A		TEMP.SENSE
TB	SOT23	KTY13B		TEMP.SENSE
TC	SOT23	KTY13C		TEMP.SENSE
TD	SOT23	KTY13D		TEMP.SENSE
TFX	SOT23	BAL99	V	switching diode
tG1	SOT23	PMBT5551	N	2N5551 npn Vce 140V
tG1	SOT323	PMST5551	N	2N5551 npn Vce 140V
TV	SOT23	MMBF112		FET
TV	SOT23	MMBF112L	F	RF jfet
U	SOD323	BB545	I	20-2pF varicap
U	SOT143	BCV61A		NPN
U	SOT23	BC848A		NPN
U	SOT23	FMMT2369		NPN
U	SOT23	MMBT2369		NPN
U	SOT23	PMBT2369		NPN
U	SOT323	BC848AW		NPN
U1	SOT143	BGX50A		diodax4
U1	SOT143	BGX50A	BQ	quad ring Si sw diodes
U1	SOT23	BCX19		NPN
U1	SOT23	BCX19	N	BC337
U16		2SC4183	N	npn RF 5V FT1GHz hFE 60-120
U17		2SC4183	N	npn RF 5V FT1GHz hFE 90-180
U18		2SC4183	N	npn RF 5V FT1GHz hFE 120-240
U1A	SOT143	3SK230A	UQ	dg RF mosfet
U1B	SOT143	3SK230B	UQ	dg RF mosfet
U1C	SOT143	3SK231C	UQ	dg RF mosfet
U1D	SOT143	3SK231D	UQ	dg RF mosfet
U1E	SOT143	3SK252E	UQ	dg RF mosfet

U1E	SOT343	3SK254E	UQ	dg RF mosfet
U1G	SOT143	3SK253G	UQ	dg RF mosfet
U1G	SOT343	3SK255G	UQ	dg RF mosfet
U1p	SOT23	BCX19	N	BC337
U1t	SOT23	BCX19	N	BC337
U2	SOT23	BCX20		NPN
U2	SOT23	BCX20	N	BC338
U21		2SC4185	N	npn RF 10V fT2.4GHz hFE40-80
U22		2SC4185	N	npn RF 10V fT2.4GHz hFE60-120
U23		2SC4185	N	npn RF 10V fT2.4GHz hFE90-180
U2t	SOT23	BCX20	N	BC338
U3	SOT23	BSS64		NPN
U3	SOT23	BSS64	N	120V 0.25A 0.2W
U35	SOT23	BSR19		NPN
U36	SOT23	BSR19A		NPN
U4	SOT23	BCX19R		NPN
U4	SOT23R	BCX19R	R	BC337
U5	SOT23	BCX20R		NPN
U5	SOT23R	BCX20R	R	BC338
U55	SOT143	3SK134B	UQ	dg mosfet
U55	SOT343	3SK245	UQ	dg mosfet
U56	SOT143	3SK134B	UQ	dg mosfet
U56	SOT343	3SK245	UQ	dg mosfet
U6	SOT23	BSS64R		NPN
U6	SOT23R	BSS64R	R	120V 0.25A 0.2W
U65	SOT143	3SK135A	UQ	dg mosfet
U66	SOT143	3SK135A	UQ	dg mosfet
U7	SOT23	BSR13		NPN
U7	SOT23	BSR13	N	2N2222
U71	SOT143	3SK177	UQ	dg GaAsfet Idss 5-15mA
U71	SOT23	BSR13R		NPN
U71	SOT23R	BSR13R	R	2N2222
U71	SOT343	3SK299	UQ	dg GaAsfet Idss 5-15mA
U72	SOT143	3SK177	UQ	dg GaAsfet Idss10-25mA
U72	SOT343	3SK299	UQ	dg GaAsfet Idss 10-25mA
U73	SOT143	3SK177	UQ	dg GaAsfet Idss 20-35mA
U73	SOT343	3SK299	UQ	dg GaAsfet Idss 20-35mA
U74	SOT143	3SK177	UQ	dg GaAsfet Idss 30-40mA
U74	SOT343	3SK299	UQ	dg GaAsfet Idss 30-40mA
U76	SOT143	3SK206	UQ	dg GaAsfet Idss 10-25mA
U77	SOT143	3SK206	UQ	dg GaAsfet Idss 20-35mA
U78	SOT143	3SK206	UQ	dg GaAsfet Idss 30-50mA
U79	SOT143	3SK206	UQ	dg GaAsfet Idss 45-80mA
U7p	SOT23	BSR13	N	2N2222
U7t	SOT23	BSR13	N	2N2222
U8	SOT23	BSR14		NPN
U8	SOT23	BSR14	N	2N2222A
U81	SOT23	BSR14R		NPN
U81	SOT23R	BSR14R	R	2N2222A
U87	SOT143	3SK176A	UQ	dg mosfet
U88	SOT143	3SK176A	UQ	dg mosfet
U8p	SOT23	BSR14	N	2N2222A
U8t	SOT23	BSR14	N	2N2222A
U9	SOT23	BSR17		NPN
U90	SOT143	3SK223	UQ	dg mosfet
U90	SOT343	3SK243	UQ	dg mosfet
U91	SOT143	3SK223	UQ	dg mosfet

U91	SOT143	3SK243	UQ	dg mosfet
U92	SOT23	BSR17A		NPN
U92	SOT23	BSR17A	N	2N3904
U92p	SOT23	BSR17A	N	2N3904
U94	SOT143	3SK224D	UQ	dg mosfet
U94	SOT343	3SK244D	UQ	dg mosfet
U95	SOT143	3SK224E	UQ	dg mosfet
U95	SOT143	3SK244E	UQ	dg mosfet
UA	SOT23	MMBT2369A		NPN
UB		2SB852Kbsp	N	pnp darlington comp 2SD1383K
UC		MSC2404-C	H	nnp RF 450MHz ft 20V
UC	SC59	MSC2402-CT1		NPN
UC	SOT143	3SK126		MOSFET
UD	SOT143	3SK127		MOSFET
UE	SOT143	3SK146		MOSFET
UF	SOT23	BB801		VCAPdioda
UG	SOT143	3SK140		GAASMESFET
UH	SOT143	3SK151		MOSFET
UJ	SOT143	3SK195		MOSFET
UI	SOT143	3SK153		MOSFET
UL	SOT143	3SK160		MOSFET
UM	SOT143	3SK199		MOSFET
V	SOT23	2SJ106		JFET
V	SOT89	2SC3803		NPN
V0	SOT23	YP0610T		MOSFET
V01		VN50300T	M	n-ch enh mosfet 500V 22mA
V02		VN0605T	M	n-ch enh mosfet 60V/0.18A
V04		VN45350T	M	n-ch enh mosfet 450V 20mA
V1	SC75	MRF959	N	nnp RF ft 9GHz
V1	SOT23	BFT25		NPN
V1	SOT23	VN50300T		MOSFET
V10	SOT23	BFT25A		NPN
V11	SOT143	3SK131	UQ	dg VHF mosfet
V11	SOT143	BFG25A/X		NPN
V11	SOT343	3SK242	UQ	dg VHF mosfet
V12	SOT143	3SK131	UQ	dg VHF mosfet
V12	SOT143	BFG67/X		NPN
V12	SOT343	3SK242	UQ	dg VHF mosfet
V13	SOT143	3SK131	UQ	dg VHF mosfet
V13	SOT143	BFG197/X		NPN
V13	SOT343	3SK242	UQ	dg VHF mosfet
V14	SOT143	BFG92A/X		NPN
V15	SOT143	BFG93A/X		NPN
V16	SOT143	BFG33/X		NPN
V1p	SOT23	BFT25	N	nnp RF 5V 6.5mA 2.3GHz
V2		BFQ67	N	nnp RF ft 7.5 GHz 50mA
V2	SOT23	BFQ67		NPN
V2	SOT23	VN0605T		MOSFET
V2	SOT323	BFQ67W		NPN
V21	SOT143	3SK222	UQ	dg VHF mosfet
V21	SOT343	3SK246	UQ	dg VHF mosfet
V22	SOT143	3SK222	UQ	dg VHF mosfet
V22	SOT343	3SK246	UQ	dg VHF mosfet
V25	SOT23	PMBT3640		PNP
V26	SOT143R	BFG67/XR		NPN
V27	SOT143R	BFG67R		NPN
V29	SOT143R	BFG92A/XR		NPN

V3	SOT143	BFG67		NPN
V3	SOT143	BFG67	X	npn RF ft 8GHz 50mA
V30	SOT23	PMBTH10		NPN
V31	SOT23	PMBTH81		PNP
V32	SOT143R	BF750		NPN
V33	SOT143R	BFG93A/XR		NPN
V34	SOT143R	BF749		NPN
V35	SOT143R	BFG197/XR		NPN
V38	SOT143R	BF752		NPN
V5	SOT143	BFG197		NPN
V5	SOT143	BFG197	X	npn RF 7.5GHz 100mA
V50		VP0610T	M	p-ch enh mosfet -60V 120mA
V6	SOT143	BFG33		NPN
V7005	SOT223	MV7005		VARICAPdioda
V7404	SOT223	MV7404		VARICAPdioda
VB		MSC2295-B	H	npn RF 150MHz ft 20V
VB	SC59	MSC2295-BT1		NPN
VC		MSC2295-C	H	npn RF 150MHz ft 20V
VC	SC59	MSC2295-CT1		NPN
W	SOT23	2SC2859		NPN
W	SOT89	2SA1483		PNP
W0F	SOT343	TSDF1205RW	WQ	12GHz npn 5mA 4V
W1	SOT23	BFT92		PNP
W1	SOT323	BFT92W		PNP
W18		BFP181TRW	WQ	npn RF ft 7.8GHz 10V 20mA
W18		BFP181TW	X	npn RF ft 7.8GHz 10V 20mA
W1s	SOT23	BFT92	N	BFQ51/BFQ76
W1s	SOT363	BCR10PN	DP	pnp/npn dig 0.1A 10k+10k
W2	SOT343	TSDF1220RW	WQ	12GHz npn 6V 20mA
W22		S822TRW	WQ	npn rf ft 5.2 GHz 6V 8mA
W22		S822TW	X	npn rf ft 5.2 GHz 6V 8mA
W28		BFP280TRW	WQ	npn rf ft 7 GHz 8V 10mA
W28		BFP280TW	X	npn rf ft 7 GHz 8V 10mA
W3	SOT23	BZX84-C2V4	C	0.3W zener 2.4V
W4	SOT23	BZX84-C2V7		zener.
W4	SOT23	BZX84-C2V7	C	0.3W zener 2.7V
W5	SOT23	BZX84-C3V0	C	0.3W zener 3.0V
W5	SOT23	BZX84-C3V0		zener.
W52		S852TW	X	npn rf ft 5.2 GHz 6V 8mA
W6	SOT23	BZX84-C3V3		zener.
W6	SOT23	BZX84-C3V3	C	0.3W zener 3.3V
W67		BFP67W	X	npn rf FT 7.5 GHz 10V 50mA
W7	SOT23	BZX84-C3V6		zener.
W7	SOT23	BZX84-C3V6	C	0.3W zener 3.6V
W74	SOT23	BAW74		dioda-2x
W8	SOT23	BZX84-C3V9		zener.
W8	SOT23	BZX84-C3V9	C	0.3W zener 3.9V
W82		BFP182TRW	WQ	npn rf ft 7.5 GHz 10V 35mA
W82		BFP182TW	X	npn rf ft 7.5 GHz 10V 35mA
W83		BFP183T	X	npn rf ft 7.4 GHz 10V 65mA
W83		BFP183TRW	WQ	npn rf ft 7.4 GHz 10V 65mA
W9	SOT23	BZX84-C4V3		zener.
W9	SOT23	BZX84-C4V3	C	0.3W zener 4.3V
W92	SOT343	BFP92AW	X	npn rf ft 6 GHz 15V 30mA
WB		2SD1383K	N	npn darlington comp 2SB852K
WCs	SC75	BCR133T	N	npn dig 50V 0.1A 10k+10k
WCs	SOT23	BCR133	N	npn dig 50V 0.1A 10k+10k

WCs	SOT323	BCR133W	N	npn dig 50V 0.1A 10k+10k
WCs	SOT363	BCR133S	DN	dual BCR133
WCs	SOT457	BCR133U	N	npn dig 50V 0.1A 10k+10k
WDs	SC75	BCR141T	N	npn 50V 0.1A dig 22k +22k
WDs	SOT23	BCR141	N	npn 50V 0.1A dig 22k +22k
WDs	SOT323	BCR141W	N	npn 50V 0.1A dig 22k +22k
WDs	SOT363	BCR141S	DN	dual BCR141
WE1		BFS17W	N	npn rf ft 2.1GHz SOT-323
WE2		BFS17AW	N	npn rf ft 3.2GHz SOT-323
WEs	SC75	BCR148T	N	npn 50V 0.1A dig 47k +47k
WEs	SOT23	BCR148	N	npn 50V 0.1A dig 47k +47k
WEs	SOT323	BCR148W	N	npn 50V 0.1A dig 47k +47k
WEs	SOT363	BCR148S	DN	dual BCR148
WEs	SOT457	BCR148U	N	npn 50V 0.1A dig 47k +47k
WF0	SOT343	TSDF1205W	X	12 GHz npn 5mA 4V
WF2	SOT343	TSDF1220W	X	12GHz npn 6V 20mA
WFE	SOT343	BFP93A	X	BFP93A (FE) in 6GHz npn
WFs	SOT23	BCR112	N	npn dig 50V 0.1A 4k7+4k7
WFs	SOT363	BCR08PN	DP	pnp/npn dig 0.1A 2k2+47k
WGs	SOT23	BCR116	N	npn dig 50V 0.1A 4k7+47k
WGs	SOT323	BCR116W	N	npn dig 50V 0.1A 4k7+47k
WHs	SC75	BCR108T	N	npn dig 50V 0.1A 2k2+47k
WHs	SOT23	BCR108	N	npn dig 50V 0.1A 2k2+47k
WHs	SOT323	BCR108W	N	npn dig 50V 0.1A 2k2+47k
WHs	SOT363	BCR108S	DN	dual BCR108
WIs	SC75	BCR158T	N	pnp dig 50V 0.1A 2k2+47k
WIs	SOT23	BCR158	N	pnp dig 50V 0.1A 2k2+47k
WIs	SOT323	BCR158W	N	pnp dig 50V 0.1A 2k2+47k
WJs	SC75	BCR135T	N	npn dig 50V 0.1A 10k+47k
WJs	SOT23	BCR135	N	npn dig 50V 0.1A 10k+47k
WJs	SOT323	BCR135W	N	npn dig 50V 0.1A 10k+47k
WJs	SOT363	BCR135S	DN	dual BCR135
WKs	SOT23	BCR119	N	npn dig 50V 0.1A 4k7
WKs	SOT323	BCR119W	N	npn dig 50V 0.1A 4k7
WKs	SOT363	BCR119S	DN	npn dig 50V 0.1A 4k7
WLS	SOT23	BCR146	N	dual npn dig 50V 47k+22k
WLS	SOT323	BCR146W	N	dual npn dig 50V 47k+22k
WMO	SOT343R	BF998RW	UQ	vhf dg mosfet BF988
WMs	SC75	BCR183T	N	pnp dig 50V 10k+10k
WMs	SOT23	BCR183	N	pnp dig 50V 10k+10k
WMs	SOT323	BCR183W	N	pnp dig 50V 10k+10k
WMs	SOT363	BCR183S	DO	dual pnp dig 50V 10k+10k
WMs	SOT457	BCR183U	N	pnp dig 50V 10k+10k
WNS	SOT23	BCR185	N	pnp dig 50V 0.1A 10k+47k
WNS	SOT323	BCR185W	N	pnp dig 50V 0.1A 10k+47k
WNS	SOT363	BCR185S	DO	dual BCR185
WNS	SOT457	BCR185U	N	pnp dig 50V 0.1A 10k+47k
WO	SOD110	BZX284-B2V4	I	0.4W zener 2.4V E24 -2%
WOS	SOT23	BCR191	N	pnp dig 50V 0.1A 22k+22k
WOS	SOT323	BCR191W	N	pnp dig 50V 0.1A 22k+22k
WOS	SOT363	BCR191S	DO	dual BCR191
WP	SOD110	BZX284-B2V7	I	0.4W zener 2.7V E24 -2%
WP2	SOT23	BFR92A	N	BRF90A
WPs	SC75	BCR192T	N	pnp dig 50V 0.1A 22k+47k
WPs	SOT23	BCR192	N	pnp dig 50V 0.1A 22k+47k
WPs	SOT323	BCR192W	N	pnp dig 50V 0.1A 22k+47k
WPs	SOT363	BCR22PN	DP	pnp/npn dig 0.1A 22k+22k

WQ	SC59	2PB602Q		NPN
WQ	SOD110	BZX284-B3V0	I	0.4W zener 3.0V E24 -2%
WR	SC59	2PB602R		NPN
WR	SC59	MSD602-RT1		NPN
WR	SOD110	BZX284-B3V3	I	0.4W zener 3.3V E24 -2%
WR	SOT346	MSD602R	N	npn gp 25V 150mA
WR2		BFR93AW	N	BFR91A
WRE		BFR280TW	N	npn RF ft 7.5GHz
WRF		BFR181TW	N	npn RF ft 7.8GHz
WRG		BFR182TW	N	npn RF ft 7GHz
WRH		BFR183TW	N	npn RF ft 7.4GHz
WRs	SOT23	BCR198	N	pnnp dig 50V 0.1A 47k+47k
WRs	SOT323	BCR198W	NN	pnnp dig 50V 0.1A 47k+47k
WRs	SOT363	BCR198S	D	dual BCR198
WS	SC59	2PB602S		NPN
WS	SOD110	BZX284-B3V6	I	0.4W zener 3.6V E24 -2%
WS	SOT23	BCR169	N	pnnp dig 50V 0.1A 4k7
WS	SOT323	BCR169W	N	pnnp dig 50V 0.1A 4k7
WS	SOT363	BCR169S	DO	dual BC169
WT	SOD110	BZX284-B3V9	I	0.4W zener 3.9V E24 -2%
WT	SOT23	BCR166	N	pnnp dig 50V 0.1A 4k7+47k
WT	SOT323	BCR166W	N	pnnp dig 50V 0.1A 4k7+47k
WT	SOT363	BCR48PN	DP	pnnp/npn dig npn 2x47k pnp2k2+47k
WU	SC75	BCR162T	N	pnnp dig 50V 0.1A 4k7+4k7
WU	SOD110	BZX284-B4V3	I	0.4W zener 4.3V E24 -2%
WU	SOT23	BCR162	N	pnnp dig 50V 0.1A 4k7+4k7
WU	SOT363	BCR35PN	DP	pnnp/npn dig 0.1A 10k+47k
WU	SOT363	MRF2947A	DG	dual MRF941 npn RF 9GHz
X	SOT23	2SK209		JFET
X (white)	SOT323	BB833	I	9.3-0.75pF varicap
X (yellow)	SOT323	BB835	I	9.1-0.6pF varicap
X1		IMX1	DC	dual 2SC2412K npn
X1	SOT23	BFT93		PNP
X1	SOT23	BFT93	N	BFQ23 BFQ75
X1	SOT23	BFT93W		PNP
X1	SOT23	BZX84-C27		zener.
X1	SOT23	BZX84-C27	C	0.3W zener 27V
X2		IMX2	DD	dual 2SC2412K npn
X2	SOT23	BZX84-C30		zener.
X2	SOT23	BZX99-C13	C	13V 0.3W zener
X3	SOT23	BZX84-C33		zener.
X3	SOT23	BZX99-C15	C	15V 0.3W zener
X4	SOT23	BZX84-C36		zener.
X5	SOT23	BZX84-C39		zener.
X5	SOT23	MMBV409		VCAPdioda
X5	SOT23	MMBV409G	C	Hyperabrupt varicap
X6	SOT23	BZX84-C43		zener.
X7	SOT23	BZX84-C47		zener.
XA	SOD110	BZX284-B7V5	I	0.4W zener 7.5V E24 -2%
XA	SOT23	BZX99-C4V7	C	4.7V 0.3W zener
XA	SOT23	RN1401		NPN
XAs	SOT23	BCR503	N	npn dig 50V 0.5A 2k2+2k2
XB	SOD110	BZX284-B8V2	I	0.4W zener 8.2V E24 -2%
XB	SOT23	BZX99-C5V1	C	5.1V 0.3W zener
XB	SOT23	RN1402		NPN
XBs	SOT23	BCR553	N	pnnp dig 50V 0.5A 2k2+2k2
XC	SOD110	BZX284-B9V1	I	0.4W zener 9.1V E24 -2%

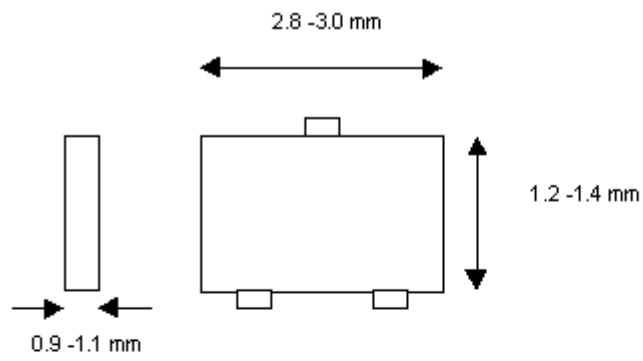
XC	SOT23	BZX99-C5V6	C	5.6V 0.3W zener
XC	SOT23	RN1403		NPN
XC _s	SOT23	BCR533	N	npn dig 50V 0.5A 10k+10k
XD	SOD110	BZX284-B10	I	0.4W zener 10V E24 -2%
XD	SOT23	BZX99-C6V2	C	6.2V 0.3W zener
XD	SOT23	RN1404		NPN
XD _s	SOT23	BCR555	N	pn _p dig 50V 0.5A 2k2+10k
XE	SOD110	BZX284-B11	I	0.4W zener 11V E24 -2%
XE	SOT23	BZX99-C6V8	C	6.8V 0.3W zener
XE	SOT23	RN1405		NPN
XF	SOD110	BZX284-B12	I	0.4W zener 12V E24 -2%
XF	SOT23	RN1406		NPN
XF _s	SOT23	BCR512	N	npn dig 50V 0.5A 4k7+4k7
XG	SOD110	BZX284-B13	I	0.4W zener 13V E24 -2% S
XG _s	SOT23	BCR523	N	npn dig 50V 0.5A 1k0+10k
XH	SOD110	BZX284-B15	I	0.4W zener 15V E24 -2%
XH	SOD123	MMSD701	I	MMBD701
XH	SOT23	RN1407		NPN
XH _s	SOT23	BCR573	N	pn _p dig 50V 0.5A 1k0+10k
XI	SOD110	BZX284-B16	I	0.4W zener 16V E24 -2%
XI	SOT23	RN1408		NPN
XJ	SOD110	BZX284-B18	I	0.4W zener 18V E24 -2%
XJ	SOT23	RN1409		NPN
XK	SOD110	BZX284-B20	I	0.4W zener 20V E24 -2%
XK	SOT23	RN1410		NPN
XK _s	SOT23	BCR519	N	npn dig 50V 0.5A 4k7
XL	SOD110	BZX284-B22	I	0.4W zener 22V E24 -2%
XL	SOT23	BZX99-C2V4	C	2.4V 0.3W zener
XL _s	SOT23	BCR569	N	pn _p dig 50V 0.5A 4k7
XM	SOD110	BZX284-B24	I	0.4W zener 24V E24 -2%
XM	SOT23	BZX99-C2V7	C	2.7V 0.3W zener
XM	SOT23	RN1411		NPN
XM _s	SOT23	BCR583	N	pn _p dig 50V 0.5A 10k+10k
XN	SOD110	BZX284-B27	I	0.4W zener 27V E24 -2%
XN	SOT23	BZX99-C3V0	C	3.0V 0.3W zener
XN	SOT89	2SD1784		NPN
XO	SOD110	BZX284-B30	I	0.4W zener 30V E24 -2%
XP	SOD110	BZX284-B33	I	0.4W zener 33V E24 -2%
XP	SOT23	BZX99-C3V3	C	3.3V 0.3W zener
XP	SOT346	MMBD3000	C	Si diode 30V 0.2A
XQ	SC59	2PB602AQ		NPN
XQ	SOD110	BZX284-B36	I	0.4W zener 36V E24 -2%
XQ	SOT346	2PD602AQ	N	gp npn hfe 85-170
XQ	SOT346	MMBD3005	A	dual ca MMBD3000
XR	SC59	2PB602AR		NPN
XR	SOD110	BZX284-B39	I	0.4W zener 39V E24 -2%
XR	SOT23	BZX99-C3V6	C	3.6V 0.3W zener
XR	SOT346	2PD602AR	N	gp npn hfe 120-240
XR	SOT363	MRF2947RA	DH	dual MRF941 npn RF 9GHz
XS	SC59	2PB602AS		NPN
XS	SOD110	BZX284-B43	I	0.4W zener 43V E24 -2%
XS	SOT23	BZX99-C3V9	C	3.9V 0.3W zener
XS	SOT346	2PD602AS	N	gp npn hfe 170-340
XS	SOT346	MMBD3010	B	dual cc MMBD3000
XT	SOD110	BZX284-B47	I	0.4W zener 47V E24 -2%
XT	SOD123	MMSD301	I	MBD301
XT	SOT23	BZX99-C4V3	C	4.3V 0.3W zener

XU		MRF2947RA	DH	dual MRF941 npn RF 9GHz
XU	SOD110	BZX284-B51	I	0.4W zener 51V E24 -2%
XU	SOT23	BZX99-C7V5	C	7.5V 0.3W zener
XUs	SOT23	BCR562	N	npn dig 50V 0.5A 4k7+4k7
XV	SOD110	BZX284-B56	I	0.4W zener 56V E24 -2%
XV	SOT23	BZX99-C8V2	C	8.2V 0.3W zener
XVs	SOT23	BCR521	N	npn dig 50V 0.5A 1k0+1k0
XW	SOD110	BZX284-B62	I	0.4W zener 62V E24 -2%
XW	SOT23	BZX99-C9V1	C	9.1V 0.3W zener
XWs	SOT23	BCR505	N	npn dig 50V 0.5A 2k2+10k
XX	SOD110	BZX284-B68	I	0.4W zener 68V E24 -2%
XX	SOT23	BZX99-C10	C	10V 0.3W zener
XXs	SOT23	BCR571	N	npn dig 50V 0.5A 1k0+1k0
XY	SOD110	BZX284-B75	I	0.4W zener 75V E24 -2%
XY	SOT23	BZX99-C11	C	11V 0.3W zener
XZ	SOT23	BZX99-C12	C	12V 0.3W zener
Y	SOT23	2SK210		JFET
Y0s		CGY121B		GaAs MMIC
Y1	SOT23	BZX84-C11		zener.
Y1	SOT23	BZX84-C11	C	0.3W zener 11V
Y10	SOT23	BZX84-C27		zener.
Y10	SOT23	BZX84-C27	C	0.3W zener 27V
Y11	SOT23	BZX84-C30		zener.
Y11	SOT23	BZX84-C30	C	0.3W zener 30V
Y12	SOT23	BZX84-C33		zener.
Y12	SOT23	BZX84-C33	C	0.3W zener 33V
Y13	SOT23	BZX84-C36		zener.
Y13	SOT23	BZX84-C36	C	0.3W zener 36V
Y14	SOT23	BZX84-C39		zener.
Y14	SOT23	BZX84-C39	C	0.3W zener 39V
Y15	SOT23	BZX84-C43		zener.
Y15	SOT23	BZX84-C43	C	0.3W zener 43V
Y16	SOT23	BZX84-C47		zener.
Y16	SOT23	BZX84-C47	C	0.3W zener 47V
Y17	SOT23	BZX84-C51		zener.
Y17	SOT23	BZX84-C51	C	0.3W zener 51V
Y18	SOT23	BZX84-C56		zener.
Y18	SOT23	BZX84-C56	C	0.3W zener 56V
Y19	SOT23	BZX84-C62		zener.
Y19	SOT23	BZX84-C62	C	0.3W zener 62V
Y2	MW6	CLY2	DR	3GHz GaAsfet 0.25W 3GHz
Y2	SOT23	BZX84-C12		zener.
Y2	SOT23	BZX84-C12	C	0.3W zener 12V
Y20	SOT23	BZX84-C68		zener.
Y20	SOT23	BZX84-C68	C	0.3W zener 68V
Y21	SOT23	BZX84-C75		zener.
Y21	SOT23	BZX84-C75	C	0.3W zener 75V
Y3	SOT23	BZX84-C13		zener.
Y3	SOT23	BZX84-C13	C	0.3W zener 13V
Y4	SOT23	BZX84-C15		zener.
Y4	SOT23	BZX84-C15	C	0.3W zener 15V
Y5	SOT23	BZX84-C16		zener.
Y5	SOT23	BZX84-C16	C	0.3W zener 16V
Y5s	SOT363	CGY59	DS	GaAs 0.9/1.8GHz preamp
Y6	SOT23	BZX84-C18		zener.
Y6	SOT23	BZX84-C18	C	0.3W zener 18V
Y6s	MW6	CGY62	DS	GaAs MMIC

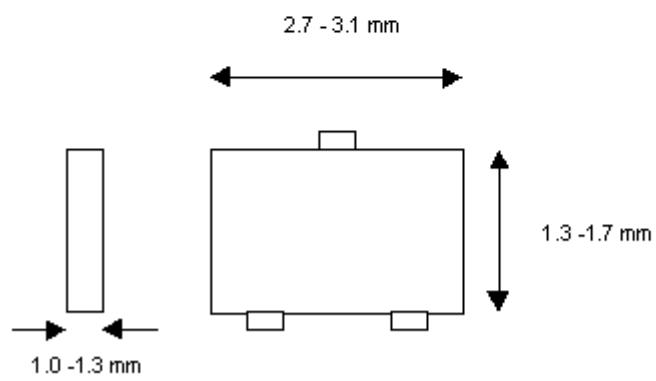
Y7	MW6	CGY60	DS	GaAs preamp MMIC 1.8GHz
Y7	SOT23	BZX84-C20		zener.
Y7	SOT23	BZX84-C20	C	0.3W zener 20V
Y8	MW6	CGY120		GaAs MMIC
Y8	SOT23	BZX84-C22		zener.
Y8	SOT23	BZX84-C22	C	0.3W zener 22V
Y9	SOT23	BZX84-C24		zener.
Y9	SOT23	BZX84-C24	C	0.3W zener 24V
Y9s	MW6	CGY121A		GaAs MMIC
YA	SOT23	RN2401		PNP
YB	SOT23	RN2402		PNP
YBs	SOT23	BSS84	M	p-ch mosfet 50V 0.13A
YC	SOT23	RN2403		PNP
YD	SOT23	RN2404		PNP
YE	SOT23	RN2405		PNP
YF	SOT23	RN2406		PNP
YH	SOT23	RN2407		PNP
YJ	SOT23	RN2409		PNP
YK	SOT23	RN2410		PNP
YI	SOT23	RN2408		PNP
YM	SOT23	RN2411		PNP
YO	SOD110	BZX284-C2V4	I	0.4W zener 2.4V E12 -5%
YP	SOD110	BZX284-C2V7	I	0.4W zener 2.7V E12 -5%
YQ	SC59	2PB601Q		NPN
YQ	SOD110	BZX284-C3V0	I	0.4W zener 3.0V E12 -5%
YR	SC59	2PB601R		NPN
YR	SC59	MSD601-RT1		NPN
YR	SOD110	BZX284-C3V3	I	0.4W zener 3.3V E12 -5%
YR	SOT346	MSD601R	N	npn gp 25V
YS	SC59	2PB601S		NPN
YS	SC59	MSD601-ST1		NPN
YS	SOD110	BZX284-C3V6	I	0.4W zener 3.6V E12 -5%
YS	SOT346	MSD601S	N	npn gp 25V
YT	SOD110	BZX284-C3V9	I	0.4W zener 3.9V E12 -5%
YU	SOD110	BZX284-C4V3	I	0.4W zener 4.3V E12 -5%
YV	SOD110	BZX284-C4V7	I	0.4W zener 4.7V E12 -5%
YW	SOD110	BZX284-C5V1	I	0.4W zener 5.1V E12 -5%
YX	SOD110	BZX284-C5V6	I	0.4W zener 5.6V E12 -5%
YY	SOD110	BZX284-C6V2	I	0.4W zener 6.2V E12 -5%
YZ	SOD110	BZX284-C6V8	I	0.4W zener 6.8V E12 -5%
Z	SOT23	2SA1182		NPN
Z0	SOD323	PDZ2.4B	I	2.4V 0.4W zener
Z0	SOT23	SST310		JFET
Z0	SOT23	SST310	F	J310 n-ch jfet
Z08	SOT23	SST308	F	J308 n-ch jfet
Z09	SOT23	SST309	F	J309 n-ch jfet
Z1		IMZ1A	DE	2SC2414 npn,2SA1037AK pnp
Z1	SOD323	PDZ2.7B	I	2.7V 0.4W zener
Z1	SOT23	BZX84-C4V7		zener.
Z1	SOT23	BZX84-C4V7	C	0.3W zener 4.7V
Z1	SOT23	SSTJ211	F	J211 n-ch jfet
Z10	SOT23	SST310	F	J310 n-ch jfet
Z11	SOT23	BZX84-C2V4		zener.
Z11	SOT23	BZX84-C2V4	C	0.3W zener 2.4V
Z12	SOT23	BZX84-C2V7		zener.
Z12	SOT23	BZX84-C2V7	C	0.3W zener 2.7V
Z13	SOT23	BZX84-C3V0	C	0.3W zener 3.0V

Z13	SOT23	BZX84-C3V0		zener.
Z14	SOT23	BZX84-C3V3		zener.
Z14	SOT23	BZX84-C3V3	C	0.3W zener 3.3V
Z15	SOT23	BZX84-C3V6		zener.
Z15	SOT23	BZX84-C3V6	C	0.3W zener 3.6V
Z16	SOT23	BZX84-C3V9		zener.
Z16	SOT23	BZX84-C3V9	C	0.3W zener 3.9V
Z17	SOT23	BZX84-C4V3		zener.
Z17	SOT23	BZX84-C4V3	C	0.3W zener 4.3V
Z2		IMZ2A	DF	2SC2414 npn,2SA1037AK pnp
Z2	SOD323	PDZ3.0B	I	3.0V 0.4W zener
Z2	SOT23	BZX84-C5V1	C	0.3W zener 4.7V
Z2	SOT23	SSTJ212	F	J212 n-ch jfet
Z3	SOD323	PDZ3.3B	I	3.3V 0.4W zener
Z3	SOT23	BZX84-C5V6		zener.
Z3	SOT23	BZX84-C5V6	C	0.3W zener 5.6V
Z4	SOD323	PDZ3.6B	I	3.6V 0.4W zener
Z4	SOT23	BZX84-C6V2		zener.
Z4	SOT23	BZX84-C6V2	C	0.3W zener 6.2V
Z5	SOD323	PDZ3.9B	I	3.9V 0.4W zener
Z5	SOT23	BZX84-C6V8		zener.
Z5	SOT23	BZX84-C6V8	C	0.3W zener 6.8V
Z6	SOD323	PDZ4.3B	I	4.3V 0.4W zener
Z6	SOT23	BZX84-C7V5		zener.
Z6	SOT23	BZX84-C7V5	C	0.3W zener 7.5V
Z7	SOD323	PDZ4.7B	I	4.7V 0.4W zener
Z7	SOT23	BZX84-C8V2		zener.
Z7	SOT23	BZX84-C8V2	C	0.3W zener 8.2V
Z8	SOD323	PDZ5.1B	I	5.1V 0.4W zener
Z8	SOT23	BZX84-C9V1		zener.
Z8	SOT23	BZX84-C9V1	C	0.3W zener 9.1V
Z8	SOT23	SST308		JFET
Z9	SOD323	PDZ5.6B	I	5.6V 0.4W zener
Z9	SOT23	BZX84-C10		zener.
Z9	SOT23	BZX84-C10	C	0.3W zener 10V
Z9	SOT23	SST309		JFET
ZA	SOD110	BZX284-C7V5	I	0.4W zener 7.5V 5%
ZA	SOD323	PDZ6.2B	I	6.2V 0.4W zener
ZB	SOD110	BZX284-C8V2	I	0.4W zener 8.2V 5%
ZB	SOD323	PDZ6.8B	I	6.8V 0.4W zener
ZB	SOT23	FMMT4123		NPN
ZB	SOT23	FMMT4123	N	2N4123
ZC	SOD110	BZX284-C9V1	I	0.4W zener 9.1V 5%
ZC	SOD323	PDZ7.5B	I	7.5V 0.4W zener
ZC	SOT23	FMMT4124		NPN
ZC	SOT23	FMMT4124	N	2N4124
ZC	SOT23	MMBT4124		NPN
ZC	SOT23	SMBT4124		NPN
ZC	SOT23	YTS4124		NPN
ZD	SOD110	BZX284-C10	I	0.4W zener 10V -5%
ZD	SOD323	PDZ8.2B	I	8.2V 0.4W zener
ZD	SOT23	FMMT4125		PNP
ZD	SOT23	FMMT4125	N	2N4125
ZD	SOT23	MMBT4125		PNP
ZD	SOT23	MMBT4125	N	2N4125
ZD	SOT23	YTS4125		PNP
ZE	SOD110	BZX284-C11	I	0.4W zener 11V -5%

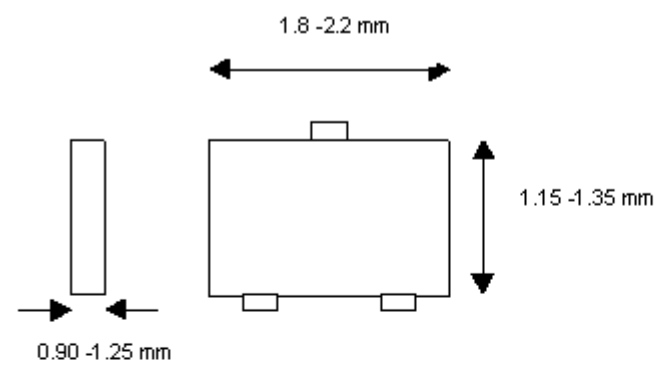
ZE	SOD323	PDZ9.1B	I	9.1V 0.4W zener
ZE	SOT23	FMMT4126		PNP
ZE	SOT23	FMMT4126	N	2N4126
ZE	SOT23	MMBT4123	N	2N4123
ZF	SOD110	BZX284-C12	I	0.4W zener 12V -5%
ZF	SOD323	PDZ10B	I	10V 0.4W zener
ZG	SOD110	BZX284-C13	I	0.4W zener 13V -5%
ZG	SOD323	PDZ11B	I	11V 0.4W zener
ZH	SOD110	BZX284-C15	I	0.4W zener 15V -5%
ZH	SOD323	PDZ12B	I	12V 0.4W zener
ZHK	2W SMD	SM2Z5V1	I	5.1V 2W zener
ZHL	2W SMD	SM2Z5V6	I	5.6V 2W zener
ZHW	2W SMD	SM2Z12	I	12V 2W zener
ZI	SOD110	BZX284-C16	I	0.4W zener 16V -5%
ZJ	SOD110	BZX284-C18	I	0.4W zener 18V -5%
ZJ	SOD323	PDZ13B	I	13V 0.4W zener
ZJF	2W SMD	SM2Z18	I	18V 2W zener
ZJQ	2W SMD	SM2Z30	I	30V 2W zener
ZK	SOD110	BZX284-C20	I	0.4W zener 20V -5%
ZK	SOD323	PDZ15B	I	15V 0.4W zener
ZKR	2W SMD	SM2Z150	I	150V 2W zener
ZL	SOD110	BZX284-C22	I	0.4W zener 22V -5%
ZL	SOD323	PDZ16B	I	16V 0.4W zener
ZM	SOD110	BZX284-C24	I	0.4W zener 24V -5%
ZM	SOD323	PDZ18B	I	18V 0.4W zener
ZN	SOD110	BZX284-C27	I	0.4W zener 27V -5%
ZN	SOD323	PDZ20B	I	20V 0.4W zener
ZO	SOD110	BZX284-C30	I	0.4W zener 30V -5%
ZP	SOD100	BZX284-C33	I	0.4W zener 33V -5%
ZP	SOD323	PDZ22B	I	22V 0.4W zener
ZQ	SC59	2PB601AQ		NPN
ZQ	SOD110	BZX284-C36	I	0.4W zener 36V -5%
ZQ	SOD323	PDZ24B	I	24V 0.4W zener
Z-Q	SOT323	2PC4081Q	N	gp npn hfe 120-270
ZR	SC59	2PB601AR		NPN
ZR	SOD110	BZX284-C39	I	0.4W zener 39V -5%
ZR	SOD323	PDZ27B	I	27V 0.4W zener
ZR	SOT323	MSD1819A	N	nnp gp 50V
Z-R	SOT323	2PC4081R	N	gp npn hfe 180-390
ZS	SC59	2PB601AS		NPN
ZS	SOD110	BZX284-C43	I	0.4W zener 43V -5%
ZS	SOD323	PDZ30B	I	30V 0.4W zener
Z-S	SOT323	2PC4081S	N	gp npn hfe 270-560
ZS1	SOT23	ZHCS1000	C	schottky 1A 30V
ZS7	SOT23	ZHCS750	C	schottky 0.75A 30V
ZT	SOD110	BZX284-C47	I	0.4W zener 47V -5%
ZT	SOD323	PDZ33B	I	33V 0.4W zener
ZTA96	SOT223	PZTA96T1		PNP
ZtQ	SOT323	2PC4081Q	N	gp npn hfe 120-270
ZtR	SOT323	2PC4081R	N	gp npn hfe 180-390
ZtS	SOT323	2PC4081S	N	gp npn hfe 270-560
ZU	SOD110	BZX284-C51	I	0.4W zener 51V -5%
ZU	SOD323	PDZ36B	I	36V 0.4W zener
ZV	SOD110	BZX284-C56	I	0.4W zener 56V -5%
ZW	SOD110	BZX284-C62	I	0.4W zener 62V -5%
ZX	SOD110	BZX284-C68	I	0.4W zener 68V -5%
ZY	SOD110	BZX284-C75	I	0.4W zener 75V -5%



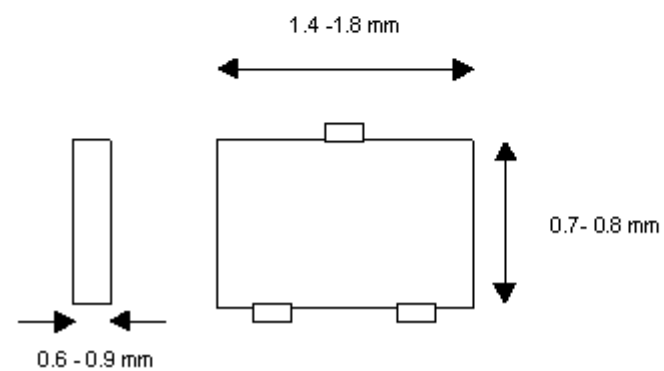
SOT- 23



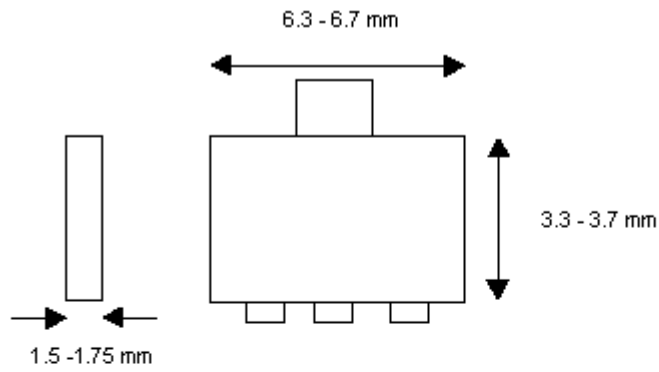
SC- 59



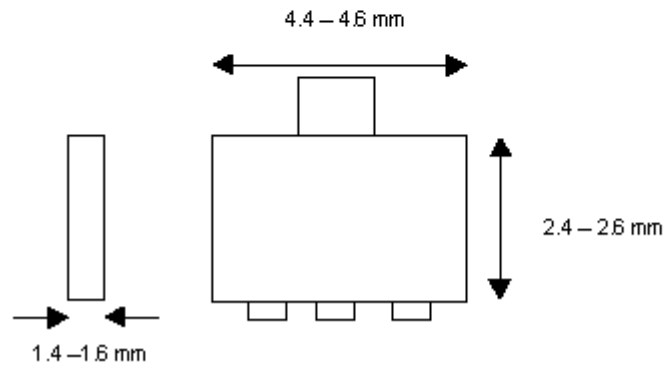
SOT- 323/SC-70



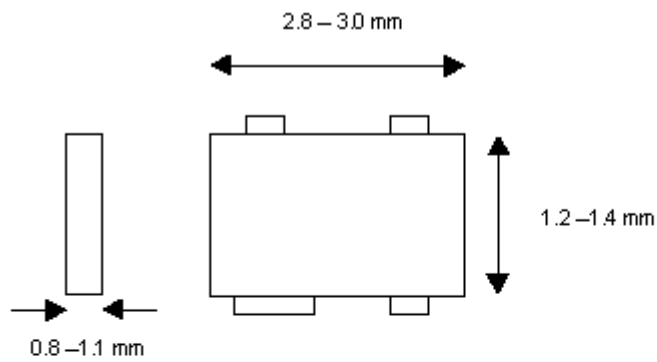
SOT- 416/SC- 90



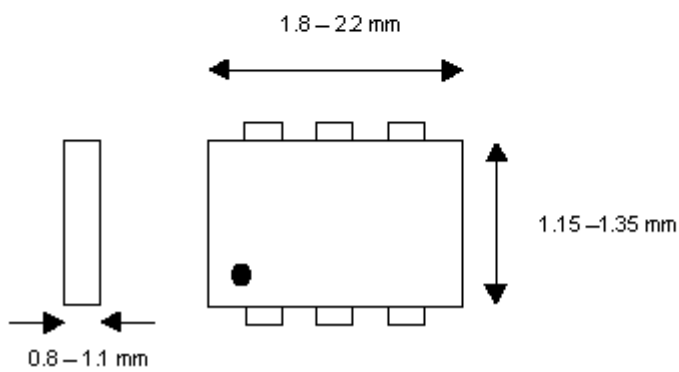
SOT- 223



SOT- 89



SOT-143



SOT-363