

KODY SMD II

Zestawienie zawiera ponad 4500 kodów SMD.

Symbol elementu	Wyprowadzenia	Opis	Kod SMD	Obudowa
1PS181		dioda-2x	A3T	SC59
1PS184		dioda-2x	B3T	SC59
1PS193		dioda-2x	F3T	SC59
1PS226		dioda	C3T	SC59
1SS355	I	100V 50mA sw	A	USM
1SS376	I	300V 50mA sw	D	USM
1SS780	I	40V 100mA lo leakage	E	USM
2N7002		MOSFET	702	SOT23
2N7002		MOSFET	72	SOT23
2N7002	M	n-ch mosfet 60V 0.11A	702	SOT23
2N7002	M	n-ch mosfet 60V 170mA	72	SOT23
2PA1576Q	N	gp pnp SC70 hfe 120-270	F-Q	SOT323
2PA1576Q	N	gp pnp SC70 hfe 120-270	FtQ	SOT323
2PA1576R	N	gp pnp hfe 180-390	F-R	SOT323
2PA1576R	N	gp pnp hfe 180-390	FtR	SOT323
2PA1576S	N	gp pnp hfe 270-560	F-S	SOT323
2PA1576S	N	gp pnp hfe 270-560	FtS	SOT323
2PB601AQ		NPN	ZQ	SC59
2PB601AR		NPN	ZR	SC59
2PB601AS		NPN	ZS	SC59
2PB601Q		NPN	YQ	SC59
2PB601R		NPN	YR	SC59
2PB601S		NPN	YS	SC59
2PB602AQ		NPN	XQ	SC59
2PB602AR		NPN	XR	SC59
2PB602AS		NPN	XS	SC59
2PB602Q		NPN	WQ	SC59
2PB602R		NPN	WR	SC59
2PB602S		NPN	WS	SC59
2PB7090		PNP	AO	SC59
2PB709AO		PNP	BQ	SC59
2PB709AR		PNP	BR	SC59
2PB709AS		PNP	BS	SC59
2PB709R		PNP	AR	SC59
2PB709S		PNP	AS	SC59
2PB710AO		PNP	DQ	SC59
2PB710AR		PNP	DR	SC59
2PB710AS		PNP	DS	SC59
2PB7100		PNP	CQ	SC59
2PB710R		PNP	CR	SC59
2PB710S		PNP	CS	SC59
2PC4081Q	N	gp npn hfe 120-270	Z-Q	SOT323
2PC4081Q	N	gp npn hfe 120-270	ZtQ	SOT323
2PC4081R	N	gp npn hfe 180-390	Z-R	SOT323
2PC4081R	N	gp npn hfe 180-390	ZtR	SOT323

2PC4081S	N	gp npn hfe 270-560	Z-S	SOT323
2PC4081S	N	gp npn hfe 270-560	ZtS	SOT323
2PD1820AQ	N	gp sw amp 50V npn hfe 85-170	A-Q	SOT323
2PD1820AQ	N	gp sw amp 50V npn hfe 85-170	AtQ	SOT323
2PD1820AR	N	gp sw amp 50V npn hfe 120-240	A-Q	SOT323
2PD1820AR	N	gp sw amp 50V npn hfe 120-240	AtQ	SOT323
2PD1820AS	N	gp sw amp 50V npn hfe 170-340	A-S	SOT323
2PD1820AS	N	gp sw amp 50V npn hfe 170-340	AtS	SOT323
2PD602AQ	N	gp npn hfe 85-170	XQ	SOT346
2PD602AR	N	gp npn hfe 120-240	XR	SOT346
2PD602AS	N	gp npn hfe 170-340	XS	SOT346
2SA1036K	N	pnnp 500mA driver	HQ	
2SA1037AK	N	hfe 150@1ma preamp pnp	FR	
2SA1162		NPN	S	SOT23
2SA1163		NPN	C	SOT23
2SA1182		NPN	Z	SOT23
2SA1200		PNP	A	SOT89
2SA1201		PNP	C	SOT89
2SA1202		PNP	E	SOT89
2SA1203		PNP	H	SOT89
2SA1204		PNP	R	SOT89
2SA1213		PNP	N	SOT89
2SA1213		PNP	NY	SOT89
2SA1213Y		PNP	NO	SOT89
2SA1245		PNP	MD	SOT23
2SA1255		NPN	O	SOT23
2SA1298		NPN	I	SOT23
2SA1312		NPN	AB	SOT23
2SA1313		NPN	AC	SOT23
2SA1314		PNP	T	SOT89
2SA1362		NPN	AE	SOT23
2SA1384		PNP	I	SOT89
2SA1483		PNP	W	SOT89
2SA1576A	N	see 2SA1037K above	FR	UMT
2SA1774	N	see 2SA1037K above	FR	EM3
2SB852Kbsp	N	pnnp darlington comp 2SD1383KUB		
2SC1977	WQ	pnnp RF ft 8.5GHz	T92	
2SC1978	WQ	pnnp RF ft 8.5GHz	T93	
2SC2351P	N	pnnp RF ft 4.5 GHz hfe 40-120	R2	
2SC2351Q	N	pnnp RF ft 4.5 GHz hfe 100-200	R3	
2SC2411K	N	npn darlington	CQ	
2SC2412K	N	npn 50V 150mA min hfe 180	BR	
2SC2532		NPN	AN	SOT23
2SC2712		NPN	L	SOT23
2SC2713		NPN	D	SOT23
2SC2714		NPN	Q	SOT23
2SC2715		NPN	R	SOT23
2SC2859		NPN	W	SOT23
2SC2873		NPN	M	SOT89
2SC2873		NPN	MY	SOT89
2SC2873Y		NPN	MO	SOT89
2SC2880		NPN	B	SOT89
2SC2881		NPN	D	SOT89

2SC2882		NPN	F	SOT89
2SC2883		NPN	G	SOT89
2SC2884		NPN	P	SOT89
2SC2982		NPN	S	SOT89
2SC3011		NPN	MA	SOT23
2SC3098		NPN	MB	SOT23
2SC3099		NPN	MC	SOT23
2SC3120		NPN	HB	SOT23
2SC3121		NPN	HC	SOT23
2SC3122		NPN	HD	SOT23
2SC3123		NPN	HE	SOT23
2SC3124		NPN	HF	SOT23
2SC3125		NPN	HH	SOT23
2SC3138		NPN	N	SOT23
2SC3265		NPN	E	SOT23
2SC3268		NPN	ME	SOT89
2SC3295		NPN	P	SOT23
2SC3324		NPN	CB	SOT23
2SC3325		NPN	CE	SOT23
2SC3326		NPN	CC	SOT23
2SC3356	N	npn RF ft 7GHz 20V 0.2W	R22	
2SC3356Q	N	npn RF ft 7GHz hfe 50-100	R23	
2SC3356R	N	npn RF ft 7GHz hfe 80-160	R24	
2SC3356S	N	npn RF ft 7GHz hfe 125-250	R25	
2SC3357	N	npn RF 1.2W ft 6.5GHz	RE	
2SC3357	N	npn RF 1.2W ft 6.5GHz	RF	
2SC3357	N	npn RF 1.2W ft 6.5GHz	RH	
2SC3357	N	npn RF 1.2W ft 6.5GHz	RK	
2SC3426		NPN	CG	SOT23
2SC3429		NPN	ME	SOT23
2SC3437		NPN	CH	SOT23
2SC3515		NPN	J	SOT89
2SC3545P	N	npn RF ft 2GHz Hfe 50-100	T42	
2SC3545Q	N	UHF osc/mix ft 2GHz Hfe70-140	T43	
2SC3545R	N	npn RF ft 2GHz Hfe 120-250	T44	
2SC3547A		NPN	HI	SOT23
2SC3547B		NPN	HM	SOT23
2SC3583	N	npn RF ft 9GHz @ 20mA	R32	
2SC3583Q	N	npn RF ft 9GHz hfe 50-100	R33	
2SC3583R	N	npn RF ft 9GHz hfe 80-160	R34	
2SC3583S	N	npn RF ft 9GHz hfe 125-250	R35	
2SC3585	N	npn RF ft 10GHz @ 10mA	R42	
2SC3585Q	N	npn RF l ft 10GHz hfe 50-100	R43	
2SC3585R	N	npn RfFT 10GHz hfe 80-160	R44	
2SC3585S	N	npn RF ft 10GHz hfe 125-250	R45	
2SC3587	CX	npn RF ft10GHz	1	
2SC3603	CX	Npn RF ft 7GHz	0	SOT173
2SC3604	CX	npn RF ft8GHz 12dB@2GHz	MAG ₂	
2SC3606		NPN	MH	SOT23
2SC3607		NPN	MH	SOT89
2SC3609		NPN	MH	SOT143
2SC3663	N	npn RF ft 4GHz @1mA	R62	
2SC3718		NPN	RA	SOT23
2SC3745		NPN	MI	SOT143
2SC3803		NPN	V	SOT89

2SC3828		NPN	HK	SOT143
2SC3838K	N	npn 11V 3.2GHz TV tuners	ADN	
2SC3839K	N	npn 20V 2.0GHz TV tuners	AEN	
2SC3862		NPN	HL	SOT23
2SC4081	N	2SC2412K above	BR	UMT
2SC4083	N	npn 11V 3.2GHz TV tuners	1DN	
2SC4084	N	npn 20V 2.0GHz TV tuners	1EN	
2SC4091	WQ	npn RF FT 4GHz @1mA	R64	
2SC4091Q	WQ	npn RF FT 4GHz hfe 50-100	R66	
2SC4091R	WQ	npn RF FT 4GHz hfe 80-160	R66	
2SC4091S	WQ	npn RF FT 4GHz hfe 125-250	R66	
2SC4092	WQ	npn RF FT 6GHz hfe 100-200	R5	
2SC4092	WQ	npn RF FT 6GHz hfe 40-120	R4	
2SC4093	WQ	npn RF FT 6.5 GHz hfe 125-250	R28	
2SC4093	WQ	npn RF FT 6.5 GHz hfe 50-100	R26	
2SC4093	WQ	npn RF FT 6.5 GHz hfe 80-160	R27	
2SC4094	WQ	npn RF FT 9GHz hfe 125-250	R38	
2SC4094	WQ	npn RF FT 9GHz hfe 50-100	R36	
2SC4094	WQ	npn RF FT 9GHz hfe 80-160	R37	
2SC4182	N	npn RF FT 1.1GHz @3V hfe120-220	T34	
2SC4182	N	npn RF FT 1.1GHz @3V hfe60-105	T32	
2SC4182	N	npn RF FT 1.1GHz @3V hfe85-150	T33	
2SC4183	N	npn RF 5V FT1GHz hFE 120-240	U18	
2SC4183	N	npn RF 5V FT1GHz hFE 60-120	U16	
2SC4183	N	npn RF 5V FT1GHz hFE 90-180	U17	
2SC4184	N	npn FT1.8GHz hFE 60-120	T43	
2SC4184	N	npn RF FT1.8GHz hFE 100-200	T44	
2SC4184	N	npn RF FT1.8GHz hFE 40-80	T42	
2SC4185	N	npn RF 10V FT2.4GHz hFE40-80	U21	
2SC4185	N	npn RF 10V FT2.4GHz hFE60-120	U22	
2SC4185	N	npn RF 10V FT2.4GHz hFE90-180	U23	
2SC4187	NN	npn RF FT 4GHz hfe 125-250	R6C	
2SC4187	NN	npn RF FT 4GHz hfe 50-100	R6A	
2SC4187	NN	npn RF FT 4GHz hfe 80-160	R6B	
2SC4214		NPN	HN	SOT143
2SC4225	N	npn RF FT 4GHz hfe 100-200	R3	
2SC4225	N	npn RF FT 4GHz hfe 40-120	R2	
2SC4227	NN	npn RF FT 7 GHz hfe 110-240	R35	
2SC4227	NN	npn RF FT 7 GHz hfe 40-90	R33	
2SC4227	NN	npn RF FT 7 GHz hfe 70-150	R34	
2SC4228	N	npn RF FT 8.5GHz hfe 125-250	R45	
2SC4228	N	npn RF FT 8.5GHz hfe 50-100	R43	
2SC4228	N	npn RF FT 8.5GHz hfe 80-160	R44	
2SC4255		NPN	HC	SOT23
2SC4315		NPN	MK	SOT143
2SC4317		NPN	MN	SOT23
2SC4318		NPN	MN	SOT89
2SC4320		NPN	MN	SOT143
2SC4322		NPN	MO	SOT23
2SC4324		NPN	MO	SOT143
2SC4336	N	npn RF FT 4.5 GHz hfe 125-250	R25	
2SC4336	N	npn RF FT 4.5 GHz hfe 40-80	R23	

2SC4336	N	npn RF FT 4.5 GHz hfe 70-140	R24	
2SC4536	P	npn RF FT 5.7GHz 2W hFE100-200	QS	
2SC4536	P	npn RF FT 5.7GHz 2W hFE40-80	QQ	
2SC4536	P	npn RF FT 5.7GHz 2W hFE60-120	QR	
2SC4568	N	npn RF ft 5.5GHz hFE 100-200	T74	
2SC4568	N	npn RF ft 5.5GHz hFE 40-80	T72	
2SC4568	N	npn RF ft 5.5GHz hFE 60-120	T73	
2SC4569	N	npn RF FT 5GHz hFE 100-200	T77	
2SC4569	N	npn RF FT 5GHz hFE 40-80	T75	
2SC4569	N	npn RF FT 5GHz hFE 60-120	T76	
2SC4570	N	npn RF ft 5.5GHz hFE 100-200	T74	
2SC4570	N	npn RF ft 5.5GHz hFE 40-80	T72	
2SC4570	N	npn RF ft 5.5GHz hFE 60-120	T73	
2SC4571	N	npn RF FT 5GHz hFE 100-200	T76	
2SC4571	N	npn RF FT 5GHz hFE 40-80	T75	
2SC4571	N	npn RF FT 5GHz hFE 60-120	T76	
2SC4617	N	2SC2412K above	BR	EM3
2SC4617	N	npn gp	B9	SC90
2SC4703	P	npn RF 1.8W FT 6GHz	SE	
2SC4703	P	npn RF 1.8W FT 6GHz	SF	
2SC4703	P	npn RF 1.8W FT 6GHz	SH	
2SC4885	WQ	npn RF FT 3.5GHz	R13	
2SC4954	N	npn RF FT12GHz @3V 5mA	T82	
2SC4955	WQ	npn RF FT 12GHz @3V 10mA	T83	
2SC4956	WQ	npn RF FT 12GHz @3V 5mA	T82	
2SC5004	N	npn RF 5GHz @5V 5mA	73	
2SC5005	N	npn RF 5.5GHz @5V 5mA	74	
2SC5006	N	npn RF FT 4.5GHz @3V 7mA	24	
2SC5009	N	npn RF FT 12GHz @ 3V 5mA	82	
2SC5009	N	npn RF FT 12GHz @3V 5mA	44	
2SC5010	N	npn RF FT 12GHz 3V 10mA	83	
2SC5011	WQ	As 2SC4093 but mini-moldpkg	R26	
2SC5011	WQ	As 2SC4093 but mini-moldpkg	R27	
2SC5011	WQ	As 2SC4093 but mini-moldpkg	R28	
2SC5012	WQ	2SC4094 but min-mold pkg	R36	
2SC5012	WQ	2SC4094 but min-mold pkg	R37	
2SC5012	WQ	2SC4094 but min-mold pkg	R38	
2SC5013	WQ	npn FT10GHz mini-mold pkg	R46	
2SC5013	WQ	npn FT10GHz mini-mold pkg	R47	
2SC5013	WQ	npn FT10GHz mini-mold pkg	R48	
2SC5177	N	npn RF FT 13GHz @2V 7mA	T84	
2SC5178	WQ	npn RF FT 13GHz @2V 7mA	T84	
2SC5179		npn RF FT 13GHz @2V 7mA	T84	
2SC5182	N	npn RF FT 12GHz @2V 20mA	T86	
2SC5182	NN	npn RF FT 12GHz @2V 20mA	T86	
2SC5183	WQ	npn RF FT 12GHz @2V 20mA	T86	
2SC5191	N	npn RF FT 8.5GHz @3V 20mA	T88	
2SC5192	WQ	npn RF FT 8.5GHz @3V 20mA	T88	
2SC5193	N	npn RF FT 8.5GHz @3V 20mA	T88	
2SC5288	WQ	npn RF	T89	
2SC5289	WQ	npn RF	T90	
2SD1383K	N	npn darlington comp 2SB852K	WB	
2SD1784		NPN	XN	SOT89
2SJ106		JFET	V	SOT23
2SK208		JFET	J	SOT23

2SK209		JFET	X	SOT23
2SK210		JFET	Y	SOT23
2SK211		JFET	K	SOT23
2SK302		MOSFET	T	SOT23
2SK368		JFET	KA	SOT23
2SK625		JFET	KC	SOT23
2SK711		JFET	RB	SOT23
3SK126		MOSFET	UC	SOT143
3SK127		MOSFET	UD	SOT143
3SK131	UQ	dg VHF mosfet	V11	SOT143
3SK131	UQ	dg VHF mosfet	V12	SOT143
3SK131	UQ	dg VHF mosfet	V13	SOT143
3SK134B	UQ	dg mosfet	U55	SOT143
3SK134B	UQ	dg mosfet	U56	SOT143
3SK135A	UQ	dg mosfet	U65	SOT143
3SK135A	UQ	dg mosfet	U66	SOT143
3SK140		GAASMESFET	UG	SOT143
3SK146		MOSFET	UE	SOT143
3SK151		MOSFET	UH	SOT143
3SK153		MOSFET	UI	SOT143
3SK160		MOSFET	UL	SOT143
3SK176A	UQ	dg mosfet	U87	SOT143
3SK176A	UQ	dg mosfet	U88	SOT143
3SK177	UQ	dg GaAsfet Idss 20-35mA	U73	SOT143
3SK177	UQ	dg GaAsfet Idss 30-40mA	U74	SOT143
3SK177	UQ	dg GaAsfet Idss 5-15mA	U71	SOT143
3SK177	UQ	dg GaAsfet Idss10-25mA	U72	SOT143
3SK195		MOSFET	UJ	SOT143
3SK199		MOSFET	UM	SOT143
3SK206	UQ	dg GaAsfet Idss 10-25mA	U76	SOT143
3SK206	UQ	dg GaAsfet Idss 20-35mA	U77	SOT143
3SK206	UQ	dg GaAsfet Idss 30-50mA	U78	SOT143
3SK206	UQ	dg GaAsfet Idss 45-80mA	U79	SOT143
3SK222	UQ	dg VHF mosfet	V21	SOT143
3SK222	UQ	dg VHF mosfet	V22	SOT143
3SK223	UQ	dg mosfet	U90	SOT143
3SK223	UQ	dg mosfet	U91	SOT143
3SK224D	UQ	dg mosfet	U94	SOT143
3SK224E	UQ	dg mosfet	U95	SOT143
3SK230A	UQ	dg RF mosfet	U1A	SOT143
3SK230B	UQ	dg RF mosfet	U1B	SOT143
3SK231C	UQ	dg RF mosfet	U1C	SOT143
3SK231D	UQ	dg RF mosfet	U1D	SOT143
3SK242	UQ	dg VHF mosfet	V11	SOT343
3SK242	UQ	dg VHF mosfet	V12	SOT343
3SK242	UQ	dg VHF mosfet	V13	SOT343
3SK243	UQ	dg mosfet	U90	SOT343
3SK243	UQ	dg mosfet	U91	SOT143
3SK244D	UQ	dg mosfet	U94	SOT343
3SK244E	UQ	dg mosfet	U95	SOT143
3SK245	UQ	dg mosfet	U55	SOT343
3SK245	UQ	dg mosfet	U56	SOT343
3SK246	UQ	dg VHF mosfet	V21	SOT343
3SK246	UQ	dg VHF mosfet	V22	SOT343
3SK252E	UQ	dg RF mosfet	U1E	SOT143
3SK253G	UQ	dg RF mosfet	U1G	SOT143
3SK254E	UQ	dg RF mosfet	U1E	SOT343

3SK255G	UQ	dg RF mosfet	U1G	SOT343
3SK299	UQ	dg GaAsfet Idss 10-25mA	U72	SOT343
3SK299	UQ	dg GaAsfet Idss 20-35mA	U73	SOT343
3SK299	UQ	dg GaAsfet Idss 30-40mA	U74	SOT343
3SK299	UQ	dg GaAsfet Idss 5-15mA	U71	SOT343
8CW60DR		NPN	BR	SOT23
BA277	I	VHF Tuner band switch diode	1	SOD523
BA579A		dioda	D73	SOT23
BA579C		dioda	D74	SOT23
BA579S		dioda	D75	SOT23
BA585	I	pin diode 50mA max	R	SOD123
BA592	I	BA282	S (blue)	SOD323
BA595	I	UHF pin diode 50mA max	R (white)	SOD323
BA597	I	UHF pin diode 100mA max	R (yellow)	SOD323
BA885		dioda	PA	SOT23
BA886		dioda	PC	SOT23
BA892	I	35V 100mA pin	A	SCD80
BA895	I		R	SCD80
BAL74		dioda	JC	SOT23
BAL74	V	fast sw diode 50V 0.25A	JCs	SOT23
BAL99		dioda	E2	SOT23
BAL99		dioda	JF	SOT23
BAL99	C	sw diode 75V 100mA	E2	
BAL99	V	fast sw diode 70V 0.25A	JFs	SOT23
BAL99	V	switching diode	TFX	SOT23
BAP50-03	I	GP RF pin diode	A8	SOD323
BAP50-04	D	dual series GP RF pin diode	4L	
BAP50-05	B	dual cc GP RF pin diode	1Cp	SOT23
BAP51-03	I	GP RF pin diode	A5	SOD323
BAP64-02	I	3GHz pin diode	S	SOD523
BAP64-03	I	3 GHz pin diode	A3	SOD323
BAP64-04	D	dual series 3GHz pin diode	4K	
BAP64-05	B	dual cc 3GHz RF pin diode	5Kp	
BAR14-1		diodax2	L7	SOT23
BAR14-1	D	dual pin 100mA max	L7	
BAR15-1		dioda-2x	L8	SOT23
BAR15-1	A	dual pin 100mA max	L8	
BAR16-1		dioda-2x	L9	SOT23
BAR16-1	B	dual pin 100mA max	L9	
BAR17		dioda	L6	SOT23
BAR17	C	pin diode	L6	
BAR18		dioda	D76	SOT23
BAR42		dioda	D94	SOT23
BAR43		dioda	D95	SOT23
BAR43A		dioda	DB1	SOT23
BAR43C		dioda	DB2	SOT23
BAR43S		dioda	DA5	SOT23
BAR53		dioda	D62	SOT23
BAR60		diodaPINdiodax3	60	SOT143
BAR60	QQ	3 pin diodes	60s	SOT143
BAR61		diodaPINdiodax3	61	SOT143
BAR61	PQ	3 pin diodes pi atten	61s	SOT143
BAR63	C	single 3GHz pin	G3	SOT23
BAR63-02W	I	RF pin to 3GHz	G	SCD80
BAR63-03W	I	RF pin to 3GHz	G	SOD323
BAR63-04	D	dual series 3GHz pin	G4	SOT23
BAR63-04W	D	dual series 3GHz pin	G4s	SOT323

BAR63-05	B	dual cc 3GHz pin	G5	SOT23
BAR63-05W	B	dual cc 3GHz pin	G5s	SOT323
BAR63-06	A	dual ca 3GHz pin	G6	SOT23
BAR63-06W	A	dual ca 3GHz pin	G6s	SOT323
BAR64	C	single 200V RF pin	POs	SOT23
BAR64-02W	I	pin diode	M	SCD80
BAR64-03W	I	pin diode	2(blue)	SOD323
BAR64-04	D	dual series 200V RF pin	PPs	SOT23
BAR64-04W	D	dual series 200V RF pin	PPs	SOT323
BAR64-05	B	dual cc 200V RF pin	PRs	SOT23
BAR64-05W	B	dual cc 200V RF pin	PRs	SOT323
BAR64-06	A	dual ca 200V RF pin	PSs	SOT23
BAR64-06W	A	dual ca 200V RF pin	PSs	SOT323
BAR65-03W	I	pin diode	M (blue)	SOD323
BAR65-07	S	dual pin diode	M	SOT143
BAR67-02W	I		T	SCD80
BAR74		dioda	JB	SOT23
BAR74	C	fast sw diode 50V 0.25A	JBs	SOT23
BAR81	NQ	Dual pin shunt switch	BB	SOT143
BAR81W	NQ	Dual pin shunt switch	BBs	SOT343
BAR99		dioda	E3	SOT23
BAR99		dioda	JG	SOT23
BAR99	C	sw diode 75V 100mA	E3	
BAR99	E	fast sw diode 70V 0.25A	JG	
BAS116		dioda	JV	SOT23
BAS116	C	250V 75mA Ir 5nA	JV	SOT23
BAS125		dioda	13	SOT23
BAS125	C	Schottky sw 24V 100mA	13s	SOT23
BAS125-04		dioda-2x	14	SOT23
BAS125-04	D	Dual series Schottky 25V100mA14s		SOT23
BAS125-04W	D	Dual series Schottky 25V100mA14s		SOT323
BAS125-05		dioda-2x	15	SOT23
BAS125-05	B	dual cc Schottky 25V 100mA	15s	SOT23
BAS125-05W	B	dual cc Schottky 25V 100mA	15s	SOT323
BAS125-06		dioda-2x	16	SOT23
BAS125-06	A	dual ca Schottky 25V 100mA	16s	SOT23
BAS125-06W	A	dual ca Schottky 25V 100mA	16s	SOT323
BAS125-07	S	dual Schottky 25V 100mA	17s	SOT143
BAS125-07W	S	dual Schottky 25V 100mA	17s	SOT343
BAS125W	C	Schottky sw 24V 100mA	13s	SOT323
BAS140W	I	40V 120mA sw schottky	4 (white)	SOD323
BAS16		dioda	A3	SOT23
BAS16		dioda	A6	SOT23
BAS16	C	BAW62 (1N4148)	A6p	SOT23
BAS16	C	BAW62 (1N4148)	A6s	SOT23
BAS16	C	BAW62 (1N4148)	A6t	SOT23
BAS16	C	Si sw 75V 100mA	A3	
BAS16-03W	I	Varicap 18pF 1V	B	SOD323
BAS16T	C	BAW62 (1N4148)	A6	SOT416
BAS16U	C	BAW62 (1N4148)	A6s	SC74
BAS16W		dioda	A6	SOT323
BAS16W	C	BAW62 (1N4148)	A6	SOT323
BAS16W	C	BAW62 (1N4148)	A6s	SOT323
BAS17		dioda	A91	SOT23
BAS17	C	BA314	A91	SOT23
BAS19		dioda	A8	SOT23
BAS19		dioda	JP	SOT23

BAS19	C	120V 250mA fast sw diode	JPs	SOT23
BAS19	C	BAV19	A8	SOT23
BAS20		dioda	A81	SOT23
BAS20		dioda	JR	SOT23
BAS20	C	150V 250mA fast sw diode	JRs	SOT23
BAS20	C	BAV20	A81	SOT23
BAS20-02W	I		f	SCD80
BAS21		dioda	A82	SOT23
BAS21		dioda	JS	SOT23
BAS21	C	200V 250mA fast sw diode	JSs	SOT143
BAS21	C	BAV21	A22	SOD27
BAS21	C	BAV21	A82	SOT23
BAS21-03W	I		D	SOD323
BAS216	I	BAW62 (1N4148)	A6	SOD110
BAS28		dioda-2x	JT	SOT143
BAS28		diodax2	A61	SOT143
BAS28	S	dual isolated fast sw diodes	JTs	SOT143
BAS28W	FQ	dual isolated fast sw diodes	JTs	SOT343
BAS29		dioda	L20	SOT23
BAS29	C	Si diode 120V 50mA	L20	SOT23
BAS31		dioda-2x	L21	SOT23
BAS31	D	dual BAS29 diodes	L21	SOT23
BAS316	I	BAW62 (1N4148)	A6p	SOD323
BAS35		dioda-2x	L22	SOT23
BAS35	A	dual BAS29 diodes	L22	SOT23
BAS40		dioda	43	SOT23
BAS40	C	schottky diode 40V 100mA	43	
BAS40	C	schottky sw diode	B1	SOT23
BAS40-04		dioda-2x	44	SOT23
BAS40-04	D	dual series BAS40	44	SOT23
BAS40-04W	D	dual series BAS40	44	SOT323
BAS40-05		dioda-2x	45	SOT23
BAS40-05	A	dual ca BAS40	45	SOT23
BAS40-05W	A	dual ca BAS40	45	SOT323
BAS40-06		dioda-2x	46	SOT23
BAS40-06	B	dual cc BAS40	46	SOT23
BAS40-06W	B	dual cc BAS40	46	SOT323
BAS40-07		dioda-2x	47	SOT143
BAS40-07	S	dual BAS40	47	SOT143
BAS40-07W	S	dual BAS40	47	SOT343
BAS55		dioda	L5	SOT23
BAS56		dioda-2x	L51	SOT143
BAS56	S	dual 60V 200mA diodes	L51	SOT143
BAS678		dioda	L52	SOT23
BAS70		dioda	73	SOT23
BAS70	C	schottky diode 70V 50mA	73p	SOT23
BAS70	C	schottky diode 70V 50mA	73s	SOT23
BAS70	C	schottky diode 70V 50mA	73t	SOT23
BAS70	C	schottky sw diode	BE	SOT23
BAS70-04		dioda-2x	22	SOT23
BAS70-04		dioda-2x	74	SOT23
BAS70-04		dioda-2x	D96	SOT23
BAS70-04	D	dual series BAS70	74p	SOT23
BAS70-04	D	dual series BAS70	74s	SOT23
BAS70-04	D	dual series BAS70	74t	SOT23
BAS70-04W	D	dual series BAS70	74t	SOT323
BAS70-05		dioda-2x	225	SOT23

BAS70-05		dioda-2x	75	SOT23
BAS70-05		dioda-2x	D97	SOT23
BAS70-05	B	dual cc BAS70	75p	SOT23
BAS70-05	B	dual cc BAS70	75s	SOT23
BAS70-05	B	dual cc BAS70	75t	SOT23
BAS70-05W	B	dual cc BAS70	75-	SOT323
BAS70-05W	B	dual cc BAS70	75s	SOT323
BAS70-05W	B	dual cc BAS70	75t	SOT323
BAS70-06		dioda-2x	1Z	SOT23
BAS70-06		dioda-2x	76	SOT23
BAS70-06	A	dual ca BAS70	76p	SOT23
BAS70-06	A	dual ca BAS70	76s	SOT23
BAS70-06	A	dual ca BAS70	76t	SOT23
BAS70-06W	A	dual ca BAS70	76-	SOT323
BAS70-06W	A	dual ca BAS70	76t	SOT323
BAS70-07		dioda-2x	77	SOT143
BAS70-07	S	dual BAS70	77s	SOT143
BAS70-07	S	dual BAS70	77s	SOT343
BAS70W	C	schottky diode 70V 50mA	73-	SOT323
BAS70W	C	schottky diode 70V 50mA	73t	SOT323
BAS7M6		dioda-2x	D98	SOT23
BAT1		5-099dioda-2x	S5	SOT143
BAT114-099	NQ	Dual schottky	S7	SOT143
BAT114-099R	DQ	Quad Schottky crossoverring	14	
BAT14-025D	CY	4GHz schottky dual	42D	SOT173
BAT14-025R	CZ	4GHz schottky ring quad	42	SOT173
BAT14-025S	CS	4GHz schottky diode	42	SOT173
BAT14-03W	I	RF Schottky 4V 90mA	O (white)	SOD323
BAT14-055D	CY	8GHz schottky dual	45D	SOT173
BAT14-055R	CZ	8GHz schottky ring quad	45	SOT173
BAT14-055S	CS	8GHz schottky diode	45	SOT173
BAT14-095D	CY	18GHz schottky dual	49D	SOT173
BAT14-095R	CZ	18GHz schottky ring quad	49	SOT173
BAT14-095S	CS	18GHz schottky diode	49	SOT173
BAT14-099		dioda-2x	S9	SOT143
BAT14-099	NQ	Dual schottky	S8	SOT143
BAT14-099R		diodax4	S8	SOT143
BAT14-099R	DQ	Quad crossover ring schottky	S9	
BAT14-115D	CY	40GHz schottky dual	41D	SOT173
BAT14-115R	CZ	40GHz schottky ring quad	41	SOT173
BAT14-115S	CS	40GHz schottky diode	41	SOT173
BAT15-025D	CY	4GHz schottky dual	52D	SOT173
BAT15-025R	CZ	4GHz schottky ring quad	52	SOT173
BAT15-025S	CS	4GHz schottky diode	52	SOT173
BAT15-03W	I	RF Schottky 4V 100mA	P (white)	SOD323
BAT15-055D	CY	8GHz schottky dual	55D	SOT173
BAT15-055R	CZ	8GHz schottky ring quad	55	SOT173
BAT15-055S	CS	8GHz schottky diode	55	SOT173
BAT15-095D	CY	18GHz schottky dual	59D	SOT173
BAT15-095R	CZ	18GHz schottky ring quad	59	SOT173
BAT15-095S	CS	18GHz schottky diode	59	SOT173
BAT15-099	NQ	Dual BAT15 schottky	S5	SOT143
BAT15-099R		diodax4	S6	SOT143
BAT15-099R	DQ	Ring quad BAT15 schottky	S6	
BAT15-115D	CY	40GHz schottky dual	51D	SOT173
BAT15-115R	CZ	40GHz schottky ring quad	51	SOT173
BAT15-115S	CS	40GHz schottky diode	51	SOT173

BAT165	I	40V 750mA sw Schottky	C (white)	
BAT17		dioda	53	SOT23
BAT17		dioda	A3	SOT23
BAT17	C	BA481	A3	SOT23
BAT17	C	BA481	A3p	SOT23
BAT17	C	BA481	A3t	SOT23
BAT17	C	schottky diode 4V 100mA	53s	SOT23
BAT17-04		dioda-2x	54	SOT23
BAT17-04	D	dual series BAT17	54s	SOT23
BAT17-04W	D	dual series BAT17	54s	SOT323
BAT17-05		dioda-2x	55	SOT23
BAT17-05	A	dual ca BAT17	55s	SOT23
BAT17-05W	A	dual ca BAT17	55s	SOT323
BAT17-06		dioda-2x	56	SOT23
BAT17-06	B	dual cc BAT17	56s	SOT23
BAT17-06W	B	dual cc BAT17	56s	SOT323
BAT17-07	S	dual BAT17	57s	SOT143
BAT170S		dioda	D85	SOT23
BAT18		dioda	A2	SOT23
BAT18	C	BA482	A2	SOT23
BAT18	C	BA482	A2s	SOT23
BAT18-04		dioda-2x	AU	SOT23
BAT18-04	D	dual BAT18 RF pin	AUs	SOT23
BAT18-05		diodax2	AS	SOT23
BAT18-05	B	dual BAT18 RF pin	ASs	SOT23
BAT18-06		dioda-2x	AT	SOT23
BAT18-06	A	dual ca BAT18 RF pin	ATs	SOT23
BAT18DK		dioda	D84	SOT23
BAT240A	EQ	dual schottky 250V 0.4A	4Ms	SOT143
BAT54		dioda	L4	SOT23
BAT54	C	BAT85 schottky	L4p	SOT23
BAT54	C	BAT85 schottky	L4Z	SOT23
BAT54A		dioda-2x	L42	SOT23
BAT54A	A	dual c anode schottky	L42p	SOT23
BAT54A	A	dual ca 30V schottky	B6	SOT23
BAT54AW		dioda-2x	L42	SOT323
BAT54C		dioda-2x	L43	SOT23
BAT54C	B	dual c cathode schottky	L43p	SOT23
BAT54CW		dioda-2x	L43	SOT323
BAT54S		dioda-2x	L44	SOT23
BAT54S	D	dual series schottky	L44p	SOT23
BAT54SW		dioda-2x	L44	SOT323
BAT54W		dioda	L4	SOT323
BAT54W	C	BAT85 schottky	L4	SOT323
BAT60B	I	10V 3A sw Schottky	5 (white)	
BAT62		dioda-2x	62	SOT143
BAT62-02W	I	BAT16 schottky diode	2	SCD80
BAT62-03W	I	BAT62 schottky detector	L	SOD323
BAT64		dioda	63	SOT23
BAT64	C	Schottky 40V 250mA gp	63s	SOT23
BAT64-02W	I		e	SCD80
BAT64-04		dioda-2x	64	SOT23
BAT64-04	D	dual ser gp Schottky 40V250mA	64s	SOT23
BAT64-04W	D	dual ser gp Schottky 40V250mA	64s	SOT323
BAT64-05		dioda-2x	65	SOT23

BAT64-05	B	dual cc gp Schottky 40V250mA	65s	SOT23
BAT64-05W	B	dual cc gp Schottky 40V250mA	65s	SOT323
BAT64-06		dioda-2x	66	SOT23
BAT64-06	A	dual ca gp Schottky 40V250mA	66s	SOT23
BAT64-06W	A	dual ca gp Schottky 40V250mA	66s	SOT323
BAT64-07		dioda-2x	67	SOT143
BAT64-07	S	dual gp Schottky 40V 250mA	67s	SOT143
BAT64-07W	S	dual gp Schottky 40V 250mA	67s	SOT343
BAT64W	C	Schottky 40V 250mA gp	63s	SOT323
BAT65		dioda	C	SOD123
BAT68		dioda	83	SOT23
BAT68	C	gp Schottky 8V 130mA	83s	SOT23
BAT68-03W	I	BAT68 Schottky	K	SOD323
BAT68-04		dioda-2x	84	SOT23
BAT68-04	D	dual ser gp Schottky 8V130mA	84s	SOT23
BAT68-04W	D	dual ser gp Schottky 8V130mA	84s	SOT323
BAT68-05		dioda-2x	85	SOT23
BAT68-05	B	gp dual cc Schottky 8V 130mA	85s	SOT23
BAT68-05W	B	gp dual cc Schottky 8V 130mA	85s	SOT323
BAT68-06		dioda-2x	86	SOT23
BAT68-06	A	gp dual ca Schottky 8V 130mA	86s	SOT23
BAT68-06W	A	gp dual ca Schottky 8V 130mA	86s	SOT323
BAT68-07	S	gp dual Schottky 8V 130mA	87s	SOT143
BAT68W	C	gp Schottky 8V 130mA	83s	SOT323
BAT721A	A	dual c anode 40V 200mA schottky	L8	SOT23
BAT721C	B	dual c cathode 40V 200mAschottky	L9	SOT23
BAT721S	C	dual series 40V 200mA schottky	L0	SOT23
BAT74		dioda-2x	L41	SOT143
BAT74	S	2x BAT85	L41	SOT143
BAV170		dioda-2x	JX	SOT23
BAV170	B	dual cc Si diode low Ir	JX	SOT23
BAV199		dioda-2x	JY	SOT23
BAV199	D	dual series Si diode lowIr	JY	SOT23
BAV23		dioda-2x	L30	SOT143
BAV23	S	dual 200V 225mA diodes	L30	SOT143
BAV23S		dioda-2x	L31	SOT23
BAV70		dioda-2x	A4	SOT23
BAV70		dioda-2x	JJ	SOT23
BAV70	B	dual cc BAW62	A4p	SOT23
BAV70	B	dual cc BAW62	A4s	SOT23
BAV70	B	dual cc BAW62	A4t	SOT23
BAV70	B	dual cc BAW62	A4t	SOT363
BAV70T	B	dual cc BAW62	A4s	SOT416
BAV70U	B	dual cc BAW62	A4s	SC74
BAV70W		diodax2	A4	SOT323
BAV70W	B	dual cc BAW62	A4	SOT323
BAV70W	B	dual cc BAW62	A4s	SOT323
BAV74		diodax2	JA	SOT23
BAV74	B	dual diode cc 50V 0.1A	JA	SOT23
BAV74	B	dual sw diodes	JA	SOT23
BAV99		dioda-2x	A7	SOT23
BAV99	D	dual ser BAW92	A7	SOT23
BAV99	D	dual ser BAW92	A7s	SOT23
BAV99T	D	dual ser BAW92	A7s	SC75
BAV99U	D	dual ser BAW92	A7s	SC74

BAV99W		dioda-2x	A7	SOT323
BAV99W	D	dual ser BAW92	A7	SOT323
BAV99W	D	dual ser BAW92	A7s	SOT323
BAW		100	JS	SOT143
BAW		156	JZ	SOT23
BAW100	Y	dual isolated fast sw diodes	JS	SOT143
BAW101		dioda-2x	JP	SOT143
BAW101	S	pair isolated 300V sw diodes	JPs	SOT143
BAW156	A	dual ca Si diode low Ir	JZ	SOT23
BAW56		dioda-2x	A1	SOT23
BAW56	A	dual ca BAW62 (1N4148)	A1	SOT23
BAW56	A	dual ca BAW62 (1N4148)	A1p	SOT23
BAW56	A	dual ca BAW62 (1N4148)	A1s	SOT23
BAW56S		dual ca BAW62 (1N4148)	A1t	SOT363
BAW56T	A	dual ca BAW62 (1N4148)	A1t	SOT416
BAW56U	A	dual ca BAW62 (1N4148)	A1s	SC74
BAW56W		dioda-2x	A1	SOT323
BAW56W	A	dual ca BAW62 (1N4148)	A1	SOT323
BAW56W	A	dual ca BAW62 (1N4148)	A1s	SOT323
BAW74		dioda-2x	W74	SOT23
BAW78A		dioda	GA	SOT89
BAW78A	LQ	50V 1A sw diode	GA	SOT89
BAW78B		dioda	GB	SOT89
BAW78B	LQ	100V 1A sw diode	GB	SOT89
BAW78C		dioda	GC	SOT89
BAW78C	LQ	200V 1A sw diode	GC	SOT89
BAW78D		dioda	GD	SOT89
BAW78D	LQ	400V 1A sw diode	GD	SOT89
BAW79A		dioda-2x	GE	SOT89
BAW79A	JQ	dual cc 50V 1A switch diodes	GE	SOT89
BAW79B		dioda-2x	GF	SOT89
BAW79B	JQ	dual cc 100V 1A switch diodes	GF	SOT89
BAW79C		dioda-2x	GG	SOT89
BAW79C	JQ	dual cc 200V 1A switch diodes	GG	SOT89
BAW79D		dioda-2x	GH	SOT89
BAW79D	JQ	dual cc 400V 1A switch diodes	GH	SOT89
BAY84		dioda	D49	SOT23
BAY85		dioda	D53	SOT23
BAY85S		dioda	DB6	SOT23
BB149A	I	2-18pF varicap	PL	SOD323
BB439	I	29-5 pF varicap	2(white)	SOD323
BB515	I	varicap 17.7pf @ 1V 30Vmax	T	SOD323
BB535	I	18-2pF varicap	S (white)	SOD323
BB545	I	20-2pF varicap	U	SOD323
BB555	I	Varicap 18pF 1V	B	SCD80
BB565	I	uhf varicap 2-20pF	C	SCD80
BB57-03W	I	Varicap	4 (red)	SOD323
BB639	I	39-2.7pF varicap	S (yellow)	SOD323
BB640	I	70-3pF varicap	S (red)	SOD323
BB644	I	Varicap 42-2.5pF	4 (yellow)	SOD323
BB659	I	2-38p varicap	D	SCD80
BB659C	I	2.5-39 pF varicap in	H	SCD80
BB664	I	Varicap 42-2.5pF	4	SCD80
BB669	I	56-2.7 pF varicap	1 (red)	SOD323
BB689	I	2-55pF varicap	E	SCD80
BB801		VCAPdioda	UF	SOT23
BB804		VCAPdioda	SF	SOT23

BB804	A	dual 45-26pF cc VHF varicap	SFs	SOT23
BB811	I	9.8pF @ 1V 30V max	S	
BB814		VCAPdioda-2x	SH	SOT23
BB814	A	dual 45-20pF cc varicap	SH2	SOT23
BB833	I	9.3-0.75pF varicap	X (white)	SOT323
BB835	I	9.1-0.6pF varicap	X (yellow)	SOT323
BB901		VCAPdioda	S14	SOT23
BB914	B	dual varicap for FM radio	SM	SOT23
BBY31		VCAPdioda	S1	SOT23
BBY31	C	BB405	S1	SOT23
BBY39		VCAPdioda-2x	S12	SOT23
BBY39	B	2x BBY31	S12	SOT23
BBY40		VCAPdioda	S2	SOT23
BBY40	C	BB809	S2	SOT23
BBY42		YCAPdioda	S13	SOT23
BBY51	B	dual cc varicap	S3	SOT23
BBY51-02W	I	3-5 pF varicap	I	SCD80
BBY51-03W	I	3-5 pF varicap in	H	SOD323
BBY51-07	S	dual varicap like BBY51	HH	SOT143
BBY52	B	dual cc varicap	S5	SOT23
BBY52-02W	I	UHF varicap 1.75-1.25pF	K	SCD80
BBY52-03W	I	1.25-1.75 pF varicap in	I	SOD323
BBY53-02W	I	varicap 5.3-2.2 pF	L	SCD80
BBY53-05	B	dual cc varicap	S7s	SOT23
BBY53-05W	B	dual cc varicap	S7s	SOT323
BBY55-02W	I	UHF Varicap	7 (white)	SCD80
BBY55-03W	I	5.4-2.3pF varicap in	M (white)	SOD323
BBY56-03W	I	varicap	6 (red)	SOD323
BBY57-03W	I	varicap	5 (red)	SOD323
BBY58-03W	I	varicap	8(yellow)	SOD323
BBY62		VCAPdioda-2x	S4	SOT143
BC807		PNP	5D	SOT23
BC807	N	BC327	5Dp	SOT23
BC807	N	BC327	5Dt	SOT23
BC807-16		PNP	5A	SOT23
BC807-16	N	BC327-16	5A	SOT23
BC807-16	N	BC327-16	5Ap	SOT23
BC807-16	N	BC327-16	5As	SOT23
BC807-16	N	BC327-16	5At	SOT23
BC807-16R	R	BC327-16	5AR	SOT23R
BC807-16W		PNP	5A	SOT323
BC807-16W	N	BC327-16	5A-	SOT323
BC807-16W	N	BC327-16	5As	SOT323
BC807-16W	N	BC327-16	5At	SOT323
BC807-25		PNP	5B	SOT23
BC807-25	N	BC327-25	5B	SOT23
BC807-25	N	BC327-25	5Bp	SOT23
BC807-25	N	BC327-25	5Bs	SOT23
BC807-25	N	BC327-25	5Bt	SOT23
BC807-25R	R	BC327-25	5BR	SOT23R
BC807-25U	N	BC327-25	5Bs	SC74
BC807-25W		PNP	5B	SOT323
BC807-25W	N	BC327-25	5B-	SOT323
BC807-25W	N	BC327-25	5Bs	SOT323
BC807-25W	N	BC327-25	5Bt	SOT323
BC807-40		PNP	5C	SOT23
BC807-40	N	BC327-40	5C	SOT23

BC807-40	N	BC327-40	5Cp	SOT23
BC807-40	N	BC327-40	5Cs	SOT23
BC807-40	N	BC327-40	5Ct	SOT23
BC807-40R	R	BC327-40	5CR	SOT23E
BC807-40W		PNP	5C	SOT323
BC807-40W	N	BC327-40	5C-	SOT323
BC807-40W	N	BC327-40	5Cs	SOT323
BC807-40W	N	BC327-40	5Ct	SOT323
BC807W		PNP	5D	SOT323
BC807W	N	BC327	5D-	SOT323
BC807W	N	BC327	5Dt	SOT323
BC808		PNP	5H	SOT23
BC808-16		PNP	5E	SOT23
BC808-16	N	BC328-16	5E	SOT23
BC808-16	N	BC328-16	5Es	SOT23
BC808-16R	R	BC328-16	5ER	SOT23R
BC808-16W		PNP	5E	SOT323
BC808-16W	N	BC328-16	5Es	SOT323
BC808-25		PNP	5F	SOT23
BC808-25	N	BC328-25	5F	SOT23
BC808-25	N	BC328-25	5Fs	SOT23
BC808-25R	R	BC328-25	5FR	SOT23R
BC808-25W		PNP	5F	SOT323
BC808-25W	N	BC328-25	5Fs	SOT323
BC808-40		PNP	5G	SOT23
BC808-40		PNP	5H	SOT23
BC808-40	N	BC328-40	5G	SOT23
BC808-40	N	BC328-40	5Gs	SOT23
BC808-40R	R	BC328-40	5GR	SOT23R
BC808-40W		PNP	5G	SOT323
BC808-40W	N	BC328-40	5Gs	SOT323
BC808W		PNP	5H	SOT323
BC817		NPN	6D	SOT23
BC817	N	BC337	6Dp	SOT23
BC817	N	BC337	6Dt	SOT23
BC817-16		NPN	6A	SOT23
BC817-16	N	BC337-16	6A	SOT23
BC817-16	N	BC337-16	6As	SOT23
BC817-16	N	BC337-16	6As	SOT323
BC817-16	N	BC337-16	6At	SOT23
BC817-16	N	BC337-16	G6A	
BC817-16R	R	BC337-16	6AR	SOT23
BC817-16W		NPN	6A	SOT323
BC817-16W	N	BC337-16	6A-	SOT323
BC817-16W	N	BC337-16	6Ap	SOT23
BC817-16W	N	BC337-16	6At	SOT323
BC817-25		NPN	6B	SOT23
BC817-25	N	BC337-25	6B	SOT23
BC817-25	N	BC337-25	6Bp	SOT23
BC817-25	N	BC337-25	6Bs	SOT23
BC817-25	N	BC337-25	6Bt	SOT23
BC817-25	N	BC337-25	G6B	
BC817-25R	R	BC337-25	6BR	SOT23R
BC817-25W		NPN	6B	SOT323
BC817-25W	N	BC337-25	6B-	SOT323
BC817-25W	N	BC337-25	6Bs	SOT323
BC817-25W	N	BC337-25	6Bt	SOT323

BC817-40		NPN	6C	SOT23
BC817-40	N	BC337-40	6C	SOT23
BC817-40	N	BC337-40	6Cp	SOT23
BC817-40	N	BC337-40	6Cs	SOT23
BC817-40	N	BC337-40	6Ct	SOT23
BC817-40R	R	BC337-40	6CR	SOT23R
BC817-40W		NPN	6C	SOT323
BC817-40W	N	BC337-40	6C-	SOT323
BC817-40W	N	BC337-40	6Cs	SOT323
BC817-40W	N	BC337-40	6Ct	SOT323
BC817UPN	N		1Bs	SC74
BC817W		NPN	6D	SOT323
BC817W	N	BC337	6D-	SOT323
BC817W	N	BC337	6Dt	SOT323
BC818		NPN	6H	SOT23
BC818-16		NPN	6E	SOT23
BC818-16	N	BC338-16	6E	SOT23
BC818-16	N	BC338-16	6Es	SOT23
BC818-16R	R	BC338-16	6ER	SOT23
BC818-16W		NPN	6E	SOT323
BC818-16W	N	BC338-16	6Es	SOT323
BC818-25		NPN	6F	SOT23
BC818-25	N	BC338-25	6F	SOT23
BC818-25	N	BC338-25	6Fs	SOT23
BC818-25R	R	BC338-25	6FR	SOT23R
BC818-25W		NPN	6F	SOT323
BC818-25W	N	BC338-25	6Fs	SOT323
BC818-40		NPN	6G	SOT23
BC818-40		NPN	6H	SOT23
BC818-40	N	BC338-40	6G	>SOT23
BC818-40	N	BC338-40	6Gs	SOT23
BC818-40R	R	BC338-40	6GR	SOT23
BC818-40W		NPN	6G	SOT323
BC818-40W	N	BC338-40	6Gs	SOT323
BC818W		NPN	6H	SOT323
BC846		NPN	1D	SOT23
BC846	N	BC456	1Dp	SOT23
BC846	N	BC456	1Dt	SOT23
BC846A		NPN	1A	SOT23
BC846A	N	BC546A	1A	SOT23
BC846A	N	BC546A	1Ap	SOT23
BC846A	N	BC546A	1At	SOT23
BC846AT	N	BC546A	1A	SOT416
BC846AW		NPN	1A	SOT323
BC846AW	N	BC546A	1A-	SOT323
BC846AW	N	BC546A	1At	SOT323
BC846BW	N	BC546B	1B-	SOT323
BC846B		NPN	1B	SOT23
BC846B	N	BC546B	1B	SOT23
BC846B	N	BC546B	1Bp	SOT23
BC846B	N	BC546B	1Bt	SOT23
BC846BPN	N	BC546B	13t	SOT363
BC846BT	N	BC546B	1B	SOT416
BC846BW		NPN	1B	SOT323
BC846BW	N	BC546B	1Bt	SOT323
BC846U		BC456	1Ds	SOT363
BC846U	N	BC456	1Ds	SC74

BC846W		NPN	1D	SOT323
BC846W	N	BC456	1D-	SOT323
BC846W	N	BC456	1Dt	SOT323
BC847		NPN	1H	SOT23
BC847	N	BC547	1Hp	SOT23
BC847	N	BC547	1Ht	SOT23
BC847A		NPN	1E	SOT23
BC847A	N	BC457	1Es	SOT23
BC847A	N	BC547A	1E	SOT23
BC847A	N	BC547A	1E-	SOT323
BC847A	N	BC547A	1Ep	SOT23
BC847A	N	BC547A	1Et	SOT23
BC847A	N	BC547A	1Et	SOT323
BC847A	N	BC547A	G1E	
BC847AR	R	BC547A	1ER	SOT23R
BC847AT	N	BC547A	1E	SOT416
BC847AW		NPN	1E	SOT323
BC847AW	N	BC457	1Es	SOT323
BC847B		NPN	1F	SOT23
BC847B	N	BC547B	1F	SOT23
BC847B	N	BC547B	1Fp	SOT23
BC847B	N	BC547B	1Fs	SOT23
BC847B	N	BC547B	1Ft	SOT23
BC847B	N	BC547B	G1F	
BC847BR	R	BC547B	1FR	SOT23R
BC847BT	N	BC547B	1F	SOT416
BC847BT	N	BC547B	1Fs	SC75
BC847BW		NPN	1F	SOT323
BC847BW	N	BC547B	1F-	SOT323
BC847BW	N	BC547B	1Fs	SOT323
BC847BW	N	BC547B	1Ft	SOT323
BC847C		NPN	1G	SOT23
BC847C	N	BC547C	1G	SOT23
BC847C	N	BC547C	1Gp	SOT23
BC847C	N	BC547C	1Gs	SOT23
BC847C	N	BC547C	G1G	
BC847CR	R	BC547C	1GR	SOT23R
BC847CT	N	BC547C	1G	SOT416
BC847CW		NPN	1G	SOT323
BC847CW	N	BC547C	1G-	SOT323
BC847CW	N	BC547C	1Gs	SOT323
BC847CW	N	BC547C	1Gt	SOT323
BC847PN	DI	pnnp/npn separate pair gpAF	1P	
BC847S		BC457	1Cs	SOT363
BC847W		NPN	1H	SOT323
BC847W	N	BC547	1H-	SOT323
BC847W	N	BC547	1Ht	SOT323
BC848		NPN	1M	SOT23
BC848	N	BC548	1Mp	SOT23
BC848A		NPN	U	SOT23
BC848A	N	BC548A	1J	SOT23
BC848A	N	BC548A	1Js	SOT23
BC848A	N	BC548A	G1J	
BC848AR	R	BC548A	1JR	SOT23R
BC848AW		NPN	U	SOT323
BC848AW	N	BC548A	1Js	SOT323
BC848B		NPN	1K	SOT23

BC848B	N	BC548B	1K	SOT23
BC848B	N	BC548B	1Kp	SOT23
BC848B	N	BC548B	1Ks	SOT23
BC848B	N	BC548B	G1K	
BC848BR	R	BC548B	1KR	SOT23R
BC848BW		NPN	1K	SOT323
BC848BW	N	BC548B	1Ks	SOT323
BC848C		NPN	1L	SOT23
BC848C	N	BC548C	1L	SOT23
BC848C	N	BC548C	1Lp	SOT23
BC848C	N	BC548C	1Ls	SOT23
BC848C	N	BC548C	G1L	
BC848CR	R	BC548C	1LR	SOT23R
BC848CW		NPN	1L	SOT323
BC848CW	N	BC548C	1Ls	SOT323
BC848W		NPN	1M	SOT323
BC849		NPN	2D	SOT23
BC849		NPN	2D	SOT323
BC849	N	BC 549B	9	SOT23
BC849B		NPN	2B	SOT23
BC849B		NPN	2B	SOT323
BC849B	N	BC549B	2B	SOT23
BC849B	N	BC549B	2Bp	SOT23
BC849B	N	BC549B	2Bs	SOT23
BC849BR	R	BC549B	2BR	
BC849BW	N	BC549B	2B-	SOT323
BC849BW	N	BC549B	2Bs	SOT323
BC849BW	N	BC549B	2Bt	SOT323
BC849C		NPN	2C	SOT23
BC849C		NPN	2C	SOT323
BC849C	N	BC549C	2C	SOT23
BC849C	N	BC549C	2Cp	SOT23
BC849C	N	BC549C	2Cs	SOT23
BC849C	N	BC549C	2Ct	SOT23
BC849CR	R	BC549C	2CR	SOT23R
BC849CW	N	BC549C	2C-	SOT323
BC849CW	N	BC549C	2Cs	SOT323
BC849CW	N	BC549C	2Ct	SOT323
BC850		NPN	2H	SOT23
BC850B		NPN	2F	SOT23
BC850B	N	BC550B	2F	SOT23
BC850B	N	BC550B	2Fp	SOT23
BC850B	N	BC550B	2Fs	SOT23
BC850B	N	BC550B	2Ft	SOT23
BC850BR	R	BC550B	2FR	SOT23R
BC850BW		NPN	2F	SOT323
BC850BW	N	BC550B	2F-	SOT323
BC850BW	N	BC550B	2Fs	SOT323
BC850BW	N	BC550B	2Ft	SOT323
BC850C		NPN	2G	SOT23
BC850C	N	BC550C	2G	SOT23
BC850C	N	BC550C	2Gp	SOT23
BC850C	N	BC550C	2Gs	SOT23
BC850C	N	BC550C	2Gt	SOT323
BC850CR	R	BC550C	2GR	SOT23R
BC850CW		NPN	2G	SOT323
BC850CW	N	BC550C	2G-	SOT323

BC850CW	N	BC550C	2Gt	SOT323
BC850W		NPN	2H	SOT323
BC856		PNP	3D	SOT23
BC856A		PNP	3A	SOT23
BC856AW		PNP	3A	SOT323
BC856B		PNP	3B	SOT23
BC856BW		PNP	3B	SOT323
BC856RA		PNP	3AR	SOT23
BC856RB		PNP	3BR	SOT23
BC856W		PNP	3D	SOT323
BC857		PNP	3H	SOT23
BC857A		PNP	3E	SOT23
BC857A	N	BC557A	G3E	SOT23
BC857AW		PNP	3E	SOT323
BC857B		PNP	3F	SOT23
BC857B	N	BC557B	G3F	SOT23
BC857BW		PNP	3F	SOT323
BC857C		PNP	3G	SOT23
BC857CW		PNP	3G	SOT323
BC857RA		PNP	3ER	SOT23
BC857RB		PNP	3FR	SOT23
BC857W		PNP	3H	SOT323
BC858		PNP	3M	SOT23
BC858A		PNP	3J	SOT23
BC858A	N	BC558A	G3J	SOT23
BC858AW		PNP	3J	SOT323
BC858B		PNP	3K	SOT23
BC858B	N	BC558B	G3K	SOT23
BC858BW		PNP	3K	SOT323
BC858C		PNP	3L	SOT23
BC858C	N	BC558C	G3L	SOT23
BC858CW		PNP	3L	SOT323
BC858RA		PNP	3JR	SOT23
BC858RB		PNP	3KR	SOT23
BC858RC		PNP	SLR	SOT23
BC858W		PNP	3M	SOT323
BC859		PNP	4D	SOT23
BC859A		PNP	4A	SOT23
BC859A	N	BC559A	4A	SOT23
BC859A	N	BC559A	4As	SOT23
BC859AR	R	BC559A	4AR	SOT23R
BC859AW		PNP	4A	SOT323
BC859AW	N	BC559A	4As	SOT323
BC859B		PNP	4B	SOT23
BC859B	N	BC559B	4B	SOT23
BC859B	N	BC559B	4Bp	SOT23
BC859B	N	BC559B	4Bs	SOT23
BC859B	N	BC559B	4Bt	SOT23
BC859B	N	BC559B	4D	SOT23
BC859BR	R	BC559B	4BR	SOT23R
BC859BW		PNP	4B	SOT323
BC859BW	N	BC559B	4B-	SOT323
BC859BW	N	BC559B	4Bs	SOT323
BC859BW	N	BC559B	4Bt	SOT323
BC859C		PNP	4C	SOT23
BC859C	N	BC559C	4C	SOT23
BC859C	N	BC559C	4Cp	SOT23

BC859C	N	BC559C	4Cs	SOT23
BC859C	N	BC559C	4Ct	SOT23
BC859CR	R	BC559C	4CR	SOT23R
BC859CW		PNP	4C	SOT323
BC859CW	N	BC559C	4C-	SOT323
BC859CW	N	BC559C	4Cs	SOT323
BC859CW	N	BC559C	4Ct	SOT323
BC859RA		PNP	4AR	SOT23
BC859RB		PNP	4BR	SOT23
BC859RC		PNP	4CR	SOT23
BC859W		PNP	4D	SOT323
BC859W	N	BC559B	4D-	SOT323
BC859W	N	BC559B	4Dt	SOT323
BC860		PNP	4H	SOT23
BC860A		PNP	4E	SOT23
BC860A	N	BC560A	4E	SOT23
BC860AR	R	BC560A	4ER	SOT23R
BC860AW		PNP	4E	SOT323
BC860B		PNP	4F	SOT23
BC860B	N	BC560B	4F	SOT23
BC860B	N	BC560B	4Fp	SOT23
BC860B	N	BC560B	4Fs	SOT23
BC860B	N	BC560B	4Ft	SOT23
BC860BR	R	BC560B	4FR	SOT23
BC860BW		PNP	4F	SOT323
BC860BW	N	BC560B	4F-	SOT323
BC860BW	N	BC560B	4Fs	SOT323
BC860BW	N	BC560B	4Ft	SOT323
BC860C		PNP	4G	SOT23
BC860C	N	BC560C	4G	SOT23
BC860C	N	BC560C	4Gp	SOT23
BC860C	N	BC560C	4Gs	SOT23
BC860C	N	BC560C	4Gt	SOT23
BC860CR	R	BC560CR	4GR	SOT23
BC860CW		PNP	4G	SOT323
BC860CW	N	BC560C	4G-	SOT323
BC860CW	N	BC560C	4Gs	SOT323
BC860CW	N	BC560C	4Gt	SOT323
BC860RA		PNP	4ER	SOT23
BC860RB		PNP	4FR	SOT23
BC860W		PNP	4H	SOT323
BC860W	N	BC560	4H-	SOT323
BC860W	N	BC560	4Ht	SOT323
BC868		NPN	CAC	SOT89
BC868-10		NPN	CBC	SOT89
BC868-16		NPN	CCC	SOT89
BC868-25		NPN	CDC	SOT89
BC869		PNP	CEC	SOT89
BC869-10		PNP	CFC	SOT89
BC869-16		PNP	CHC	SOT89
BC869-25		PNP	CJC	SOTS9
BCF29		PNP	C7	SOT23
BCF29R		PNP	C77	SOT23
BCF30		PNP	C8	SOT23
BCF30	N	BC559B	C8	SOT23
BCF30R		PNP	C9	SOT23
BCF32		NPN	D7	SOT23

BCF32R		NPN	D77	SOT23
BCF33		NPN	D8	SOT23
BCF33R		NPN	D81	SOT23
BCF70		PNP	H7	SOT23
BCF70R		PNP	H71	SOT23
BCF81		NPN	K9	SOT23
BCF81R		NPN	K91	SOT23
BCP53	P	pnnp amp 80V 150mA	AH	SOT223
BCP56	P	npn amp 80V 150mA	BH	SOT223
BCP56-10	P	npn amp 80V 150mA	BK	SOT223
BCP56-16	P	npn amp 80V 150mA	BL	SOT223
BCP68	P	20V 1A npn	CA	SOT223
BCP69	P	20V 1A pnp	CE	SOT223
BCR08PN	DP	pnnp/npn dig 0.1A 2k2+47k	WFs	SOT363
BCR108	N	npn dig 50V 0.1A 2k2+47k	WHs	SOT23
BCR108S	DN	dual BCR108	WHs	SOT363
BCR108T	N	npn dig 50V 0.1A 2k2+47k	WHs	SC75
BCR108W	N	npn dig 50V 0.1A 2k2+47k	WHs	SOT323
BCR10PN	DP	pnnp/npn dig 0.1A 10k+10k	W1s	SOT363
BCR112	N	npn dig 50V 0.1A 4k7+4k7	WFs	SOT23
BCR116	N	npn dig 50V 0.1A 4k7+47k	WGs	SOT23
BCR116W	N	npn dig 50V 0.1A 4k7+47k	WGs	SOT323
BCR119	N	npn dig 50V 0.1A 4k7	WKS	SOT23
BCR119S	DN	npn dig 50V 0.1A 4k7	WKS	SOT363
BCR119W	N	npn dig 50V 0.1A 4k7	WKS	SOT323
BCR133	N	npn dig 50V 0.1A 10k+10k	WCs	SOT23
BCR133S	DN	dual BCR133	WCs	SOT363
BCR133T	N	npn dig 50V 0.1A 10k+10k	WCs	SC75
BCR133U	N	npn dig 50V 0.1A 10k+10k	WCs	SOT457
BCR133W	N	npn dig 50V 0.1A 10k+10k	WCs	SOT323
BCR135	N	npn dig 50V 0.1A 10k+47k	WJs	SOT23
BCR135S	DN	dual BCR135	WJs	SOT363
BCR135T	N	npn dig 50V 0.1A 10k+47k	WJs	SC75
BCR135W	N	npn dig 50V 0.1A 10k+47k	WJs	SOT323
BCR141	N	npn 50V 0.1A dig 22k +22k	WDs	SOT23
BCR141S	DN	dual BCR141	WDs	SOT363
BCR141T	N	npn 50V 0.1A dig 22k +22k	WDs	SC75
BCR141W	N	npn 50V 0.1A dig 22k +22k	WDs	SOT323
BCR146	N	dual npn dig 50V 47k+22k	WLS	SOT23
BCR146W	N	dual npn dig 50V 47k+22k	WLS	SOT323
BCR148	N	npn 50V 0.1A dig 47k +47k	WEs	SOT23
BCR148S	DN	dual BCR148	WEs	SOT363
BCR148T	N	npn 50V 0.1A dig 47k +47k	WEs	SC75
BCR148U	N	npn 50V 0.1A dig 47k +47k	WEs	SOT457
BCR148W	N	npn 50V 0.1A dig 47k +47k	WEs	SOT323
BCR158	N	pnnp dig 50V 0.1A 2k2+47k	WIs	SOT23
BCR158T	N	pnnp dig 50V 0.1A 2k2+47k	WIs	SC75
BCR158W	N	pnnp dig 50V 0.1A 2k2+47k	WIs	SOT323
BCR162	N	pnnp dig 50V 0.1A 4k7+4k7	WU	SOT23
BCR162T	N	pnnp dig 50V 0.1A 4k7+4k7	WU	SC75
BCR166	N	pnnp dig 50V 0.1A 4k7+47k	WT	SOT23
BCR166W	N	pnnp dig 50V 0.1A 4k7+47k	WT	SOT323
BCR169	N	pnnp dig 50V 0.1A 4k7	WS	SOT23
BCR169S	DO	dual BC169	WS	SOT363
BCR169W	N	pnnp dig 50V 0.1A 4k7	WS	SOT323
BCR183	N	pnnp dig 50V 10k+10k	WMS	SOT23
BCR183S	DO	dual pnp dig 50V 10k+10k	WMS	SOT363

BCR183T	N	pnP dig 50V 10k+10k	WMs	SC75
BCR183U	N	pnP dig 50V 10k+10k	WMs	SOT457
BCR183W	N	pnP dig 50V 10k+10k	WMs	SOT323
BCR185	N	pnP dig 50V 0.1A 10k+47k	WNs	SOT23
BCR185S	DO	dual BCR185	WNs	SOT363
BCR185U	N	pnP dig 50V 0.1A 10k+47k	WNs	SOT457
BCR185W	N	pnP dig 50V 0.1A 10k+47k	WNs	SOT323
BCR191	N	pnP dig 50V 0.1A 22k+22k	WOs	SOT23
BCR191S	DO	dual BCR191	WOs	SOT363
BCR191W	N	pnP dig 50V 0.1A 22k+22k	WOs	SOT323
BCR192	N	pnP dig 50V 0.1A 22k+47k	WPs	SOT23
BCR192T	N	pnP dig 50V 0.1A 22k+47k	WPs	SC75
BCR192W	N	pnP dig 50V 0.1A 22k+47k	WPs	SOT323
BCR198	N	pnP dig 50V 0.1A 47k+47k	WRs	SOT23
BCR198S	D	dual BCR198	WRs	SOT363
BCR198W	NN	pnP dig 50V 0.1A 47k+47k	WRs	SOT323
BCR22PN	DP	pnP/npn dig 0.1A 22k+22k	WPs	SOT363
BCR35PN	DP	pnP/npn dig 0.1A 10k+47k	WU	SOT363
BCR48PN	DP	pnP/npn dig npn 2x47k pnP2k2+47k	WT	SOT363
BCR503	N	npn dig 50V 0.5A 2k2+2k2	XAs	SOT23
BCR505	N	npn dig 50V 0.5A 2k2+10k	XWs	SOT23
BCR512	N	npn dig 50V 0.5A 4k7+4k7	XFs	SOT23
BCR519	N	npn dig 50V 0.5A 4k7	XKs	SOT23
BCR521	N	npn dig 50V 0.5A 1k0+1k0	XVs	SOT23
BCR523	N	npn dig 50V 0.5A 1k0+10k	XGs	SOT23
BCR533	N	npn dig 50V 0.5A 10k+10k	XCs	SOT23
BCR553	N	pnP dig 50V 0.5A 2k2+2k2	XBs	SOT23
BCR555	N	pnP dig 50V 0.5A 2k2+10k	XDs	SOT23
BCR562	N	pnP dig 50V 0.5A 4k7+4k7	XUs	SOT23
BCR569	N	pnP dig 50V 0.5A 4k7	XLs	SOT23
BCR571	N	pnP dig 50V 0.5A 1k0+1k0	XXs	SOT23
BCR573	N	pnP dig 50V 0.5A 1k0+10k	XHs	SOT23
BCR583	N	pnP dig 50V 0.5A 10k+10k	XMs	SOT23
BCV26		PNP	FD	SOT23
BCV26	N	pnP darlington	FD	SOT23
BCV26	N	pnP darlington	FDp	SOT23
BCV26	N	pnP darlington	FDt	SOT23
BCV27		NPN	FF	SOT23
BCV27	N	npn darlington	FF	SOT23
BCV27	N	npn darlington	FFp	SOT23
BCV27	N	npn darlington	FFt	SOT23
BCV28		PNP	ED	SOT89
BCV28	P	pnP darlington 30V 0.8Acomp BCV29	ED	SOT89
BCV29		NPN	EF	SOT89
BCV29	P	npn darlington 30V 0.8Acomp BCV28	EF	SOT89
BCV46		PNP	FE	SOT23
BCV46	N	pnP darlington	FE	SOT23
BCV46	N	pnP darlington	FEp	SOT23
BCV46	N	pnP darlington	FET	SOT23
BCV47		NPN	FG	SOT23
BCV47	N	npn darlington	FG	SOT23
BCV47	N	npn darlington	FGp	SOT23
BCV47	N	npn darlington	FGt	SOT23
BCV48		PNP	EE	SOT89

BCV48	P	pnnp darlington 60V 0.8Acomp	EE	SOT89
BCV49		NPN	EG	SOT89
BCV49	P	npn darlington 60V 0.8Acomp	EG	SOT89
BCV61		NPN	1M	SOT143
BCV61	VQ	npn current mirror	1Mp	SOT143B
BCV61A		NPN	U	SOT143
BCV61A	VQ	npn current mirror hFe 180	1Js	SOT143
BCV61B		NPN	1K	SOT143
BCV61B	VQ	npn current mirror hFe 290	1Ks	SOT143B
BCV61C		NPN	1L	SOT143
BCV61C	VQ	npn current mirror hFe 520	1L	SOT143B
BCV61C	VQ	npn current mirror hFe 520	1Lp	SOT143B
BCV62		PNP	3M	SOT143
BCV62A		PNP	3J	SOT143
BCV62B		PNP	3K	SOT143
BCV62C		PNP	3L	SOT143
BCV63		NPN	D95	SOT143
BCV63B		NPN	D96	SOT143
BCV64		PNP	C95	SOT143
BCV64B		PNP	C95	SOT143
BCV65		NPN/PNP	97	SOT143
BCV65B		NPN/PNP	98	SOT143
BCV71		NPN	K7	SOT23
BCV71	N	BC546A	K7	SOT23
BCV71	N	BC546A	K7p	SOT23
BCV71	N	BC546A	K7t	SOT23
BCV71R		NPN	K6	SOT23
BCV71R		NPN	K71	SOT23
BCV71R	R	BC546A	K6	SOT23R
BCV72		NPN	K8	SOT23
BCV72	N	BC546B	K8	SOT23
BCV72	N	BC546B	K8p	SOT23
BCV72	N	BC546B	K8t	SOT23
BCV72R		NPN	K81	SOT23
BCV72R		NPN	K9	SOT23
BCV72R	R	BC546B	K9	SOT23R
BCW29		PNP	C1	SOT23
BCW29	N	BC178A	C1	SOT23
BCW29	N	BC178A	C1p	SOT23
BCW29	N	BC178A	C1t	SOT23
BCW29	N	BC178A	GC1	
BCW29R		PNP	C4	SOT23
BCW29R	R	BC178A	C4	SOT23R
BCW30		PNP	C2	SOT23
BCW30	N	BC178B	C2	SOT23
BCW30	N	BC178B	C2p	SOT23
BCW30	N	BC178B	C2t	SOT23
BCW30	N	BC178B	GC2	
BCW30R		PNP	C5	SOT23
BCW30R	R	BC178B	C5	SOT23R
BCW31		NPN	D1	SOT23
BCW31	N	BC108A	D1	SOT23
BCW31	N	BC108A	D1p	SOT23
BCW31	N	BC108A	D1t	SOT23
BCW31R		NPN	D4	SOT23

BCW31R	R		D4	
BCW32		NPN	D2	SOT23
BCW32	N	BC108B	D2	SOT23
BCW32	N	BC108B	D2p	SOT23
BCW32	N	BC108B	D2t	SOT23
BCW32	N	BC108B	GD2	
BCW32R		NPN	D5	SOT23
BCW33		NPN	D3	SOT23
BCW33	N	BC108C	D3	SOT23
BCW33	N	BC108C	D3p	SOT23
BCW33	N	BC108C	D3t	SOT23
BCW33	N	BC108C	GD1	
BCW33R		NPN	D6	SOT23
BCW54-16		NPN	BD	SOT89
BCW60A		NPN	AA	SOT23
BCW60A	N	BCY58-vii	AA	SOT23
BCW60A	N	BCY58-vii	AAs	SOT23
BCW60AR		NPN	CR	SOT23
BCW60AR	R	BCY58-vii	AO	SOT23R
BCW60B		NPN	AB	SOT23
BCW60B	N	BCY58-viii	AB	SOT23
BCW60B	N	BCY58-viii	ABp	SOT23
BCW60B	N	BCY58-viii	ABs	SOT23
BCW60B	N	BCY58-viii	ABt	SOT23
BCW60BR		NPN	DR	SOT23
BCW60BR	R	BCY58-viii	AP	SOT23R
BCW60C		NPN	AC	SOT23
BCW60C	N	BCY58-ix	AC	SOT23
BCW60C	N	BCY58-ix	ACp	SOT23
BCW60C	N	BCY58-ix	ACs	SOT23
BCW60C	N	BCY58-ix	ACt	SOT23
BCW60CR		NPN	AR	SOT23
BCW60CR	R	BCY58-ix	AR	SOT23R
BCW60D		NPN	AD	SOT23
BCW60D	N	BCY58-x	AD	SOT23
BCW60D	N	BCY58-x	ADp	SOT23
BCW60D	N	BCY58-x	ADs	SOT23
BCW60D	N	BCY58-x	ADt	SOT23
BCW60DR	R	BCY58-x	AS	SOT23R
BCW60FF		NPN	AF	SOT23
BCW60FF	N	BCY58	AFs	SOT23
BCW60FN		NPN	AN	SOT23
BCW60FN	N	gp npn 35V 0.2A	AN	SOT23
BCW60GR	R	BCY58	AU	SOT23R
BCW60HR	R	BCY58	AW	SOT23R
BCW60RA		NPN	AO	SOT23
BCW60RB		NPN	AP	SOT23
BCW60RC		NPN	AR	SOT23
BCW60RD		NPN	AS	SOT23
BCW61A		PNP	BA	SOT23
BCW61A	N	BCY78-vii	BA	SOT23
BCW61A	N	BCY78-vii	BAP	SOT23
BCW61A	N	BCY78-vii	BAt	SOT23
BCW61AR		PNP	CA	SOT23
BCW61AR	N	BCX78, BCY78-vii	BO	SOT23
BCW61AR	R	BCY78-vii	CA	SOT23R
BCW61B		PNP	BB	SOT23

BCW61B	N	BCY78-viii	BB	SOT23
BCW61B	N	BCY78-viii	BBp	SOT23
BCW61B	N	BCY78-viii	BBs	SOT23
BCW61B	N	BCY78-viii	BBt	SOT23
BCW61BR		PNP	CB	SOT23
BCW61BR	N	BCY78-viii	BP	SOT23
BCW61BR	R	BCY78-viii	CB	SOT23R
BCW61C		PNP	BC	SOT23
BCW61C	N	BCY78-ix	BC	SOT23
BCW61C	N	BCY78-ix	BCp	SOT23
BCW61C	N	BCY78-ix	BCs	SOT23
BCW61C	N	BCY78-ix	BCT	SOT23
BCW61CR		PNP	CC	SOT23
BCW61CR	N	BCY78-ix	BR	SOT23
BCW61CR	R	BCY78-ix	CC	SOT23R
BCW61D		PNP	BD	SOT23
BCW61D	N	BCY78-x	BD	SOT23
BCW61D	N	BCY78-x	BDp	SOT23
BCW61D	N	BCY78-x	BDs	SOT23
BCW61D	N	BCY78-x	BDt	SOT23
BCW61DR		PNP	CD	SOT23
BCW61DR	N	BCY78-x	BS	SOT23
BCW61DR	R	BCY78-x	CD	SOT23R
BCW61FF		PNP	BF	SOT23
BCW61FF	N	low noise BCW61	BF	SOT23
BCW61FN		PNP	BN	SOT23
BCW61FN	N	low noise BCW61	BNs	SOT23
BCW61RA		PNP	BO	SOT23
BCW61RB		PNP	BP	SOT23
BCW61RC		PNP	BR	SOT23
BCW61RD		PNP	BS	SOT23
BCW65A		NPN	EA	SOT23
BCW65A	N	npn 32V 800mA hfe 100 min	EAs	SOT23
BCW65AR		NPN	4V	SOT23
BCW65AR	R	npn 32V 800mA hfe 100 min	ET	SOT23R
BCW65B		NPN	EB	SOT23
BCW65B	N	npn 32V 800mA hfe 160 min	EBs	SOT23
BCW65BR		NPN	5V	SOT23
BCW65BR	R	npn 32V 800mA hfe 160 min	EU	SOT23R
BCW65C		NPN	EC	SOT23
BCW65C	N	npn 32V 800mA hfe 250 min	ECs	SOT23
BCW65CR		NPN	6V	SOT23
BCW65CR	R	npn 32V 800mA hfe 240 min	EW	SOT23R
BCW65FR	R	npn 45V 800mA hfe 100 min	EX	SOT23R
BCW65GR	R	npn 45V 800mA hfe 160 min	EY	SOT23R
BCW65HR	R	npn 45V 800mA hfe 240 min	EZ	SOT23R
BCW66F		NPN	EF	SOT23
BCW66F	N	npn 45V 800mA hfe 100 min	EF	SOT23
BCW66FR		NPN	7P	SOT23
BCW66FR	R	npn 45V 0.8A 350mW	7P	SOT23R
BCW66G		NPN	EG	SOT23
BCW66G	N	npn 45V 800mA hfe 160 min	EGs	SOT23
BCW66GR		NPN	5T	SOT23
BCW66GR	R	npn 45V 0.8A 350mW	5T	SOT23R
BCW66H		NPN	EH	SOT23
BCW66H	N	npn 45V 800mA hfe 240 min	EHS	SOT23
BCW66HH		NPN	EZ	SOT23

BCW66HR		NPN	7M	SOT23
BCW66RA		NPN	ET	SOT23
BCW66RB		NPN	EU	SOT23
BCW66RC		NPN	EW	SOT23
BCW66RF		NPN	EX	SOT23
BCW66RG		NPN	EY	SOT23
BCW67A		PNP	DA	SOT23
BCW67AR		PNP	4W	SOT23
BCW67B		PNP	OB	SOT23
BCW67BR		PNP	5W	SOT23
BCW67C		PNP	DC	SOT23
BCW67C		PNP	EC	SOT23
BCW67CR		PNP	6W	SOT23
BCW67RA		PNP	DT	SOT23
BCW67RB		PNP	DU	SOT23
BCW67RC		PNP	DW	SOT23
BCW68F		PNP	DF	SOT23
BCW68FR		PNP	7T	SOT23
BCW68G		PNP	DG	SOT23
BCW68GR		PNP	6T	SOT23
BCW68GR	R	pnp 45V 0.8A 350mW	6T	
BCW68H		PNP	DH	SOT23
BCW68HR		PNP	7N	SOT23
BCW68RF		PNP	DX	SOT23
BCW68RG		PNP	DY	SOT23
BCW68RH		PNP	DZ	SOT23
BCW69		PNP	H1	SOT23
BCW69	N	BC177A	GH1	
BCW69	N	BC177A	H1	SOT23
BCW69	N	BC177A	H1p	SOT23
BCW69	N	BC177A	H1t	SOT23
BCW69R		PNP	H4	SOT23
BCW69R	R	BC177A	H4	SOT23R
BCW70		PNP	H2	SOT23
BCW70	N	BC177B	GH2	
BCW70	N	BC177B	H2	SOT23
BCW70	N	BC177B	H2p	SOT23
BCW70	N	BC177B	H2t	SOT23
BCW70R		PNP	H5	SOT23
BCW70R	R	BC177B	H5	SOT23R
BCW71		NPN	K1	SOT23
BCW71	N	BC107A	GK1	
BCW71	N	BC107A	K1	SOT23
BCW71	N	BC107A	K1p	SOT23
BCW71	N	BC107A	K1t	SOT23
BCW71HR	N	BCX79-viii	BW	SOT23R
BCW71JR	N	BCX79-ix	BX	SOT23R
BCW71KR	N	BCX79-x	BY	SOT23R
BCW71R		NPN	K4	SOT23
BCW71R	R	BC107A	K4	SOT23R
BCW72		NPN	K2	SOT23
BCW72	N	BC107B ZXT300	GK2	
BCW72	N	BC107B ZXT300	K2	SOT23
BCW72	N	BC107B ZXT300	K2p	SOT23
BCW72	N	BC107B ZXT300	K2t	SOT23
BCW72R		NPN	K5	SOT23
BCW72R	R	BC107B ZTX300	K5	SOT23R

BCW81		NPN	K3	SOT23
BCW81	N	npn 50V 0.1A 0.2W hfe 420	K3	SOT23
BCW81	N	npn 50V 0.1A 0.2W hfe 420	K3p	SOT23
BCW81	N	npn 50V 0.1A 0.2W hfe 420	K3t	SOT23
BCW81R		NPN	K31	SOT23
BCW81R	R	npn 50V 0.1A 0.2W hfe 420	K31	
BCW89		PNP	H3	SOT23
BCW89	N	BC556	H3	SOT23
BCW89	N	BC556	H3p	SOT23
BCW89	N	BC556	H3t	SOT23
BCW89R		PNP	H31	SOT23
BCW89R		PNP	H6	SOT23
BCW89R	N	BC556	H31	SOT23R
BCW89R	R	BC556	H6	SOT23R
BCX17		PNP	T1	SOT23
BCX17	N	BC327	GT1	
BCX17	N	BC327	T1	SOT23
BCX17	N	BC327	T1p	SOT23
BCX17	N	BC327	T1t	SOT23
BCX17R		PNP	T4	SOT23
BCX17R	R	BC327	T4	SOT23R
BCX18		PNP	T2	SOT23
BCX18	N	BC328	GT2	
BCX18	N	BC328	T2	SOT23
BCX18	N	BC328	T2p	SOT23
BCX18	N	BC328	T2t	SOT23
BCX18R		PNP	T5	SOT23
BCX18R	R	BC328	T5	SOT23R
BCX19		NPN	U1	SOT23
BCX19	N	BC337	GU1	
BCX19	N	BC337	U1	SOT23
BCX19	N	BC337	U1p	SOT23
BCX19	N	BC337	U1t	SOT23
BCX19R		NPN	U4	SOT23
BCX19R	R	BC337	U4	SOT23R
BCX20		NPN	U2	SOT23
BCX20	N	BC338	GU2	
BCX20	N	BC338	U2	SOT23
BCX20	N	BC338	U2t	SOT23
BCX20R		NPN	U5	SOT23
BCX20R	R	BC338	U5	SOT23R
BCX41		NPN	EK	SOT23
BCX41	N	gp npn 125V 1A comp BCX42	EKs	SOT23
BCX42		PNP	DK	SOT23
BCX51		PNP	AA	SOT89
BCX51	P	pnp 45V audio comp BCX54	AA	SOT89
BCX51-10		PNP	AC	SOT89
BCX51-10	P	45V pnp audio hfe 100	AC	SOT89
BCX51-100	P	45V pnp audio hfe 100	AC	SOT89
BCX51-16		PNP	AD	SOT89
BCX51-16	P	45V pnp audio hfe 160	AD	SOT89
BCX51-160	P	45V pnp audio hfe 160	AD	SOT89
BCX51-6		PNP	AB	SOT89
BCX52		PNP	AE	SOT89
BCX52	P	pnp 60V audio comp BCX55	AE	SOT89
BCX52-10		PNP	AG	SOT89
BCX52-10	P	60V pnp BCX52 hfe 100	AG	SOT89

BCX52-16		PNP	AL	SOT89
BCX52-16	P	pnp 60V BCX52 hfe 160	AM	SOT89
BCX52-6		PNP	AF	SOT89
BCX53		PNP	AH	SOTS9
BCX53	P	pnp 80V audio comp BCX56	AH	SOT89
BCX53-10		PNP	AK	SOT89
BCX53-10	P	pnp 80V BCX53 hfe 100	AK	SOT89
BCX53-16		PNP	AM	SOT89
BCX53-16	P	80V pnp BCX53 hfe 100	AL	SOT89
BCX53-6		PNP	AJ	SOT89
BCX54		NPN	BA	SOT89
BCX54	P	npn AF 45V comp BCX51	BA	SOT89
BCX54-10		NPN	BC	SOT89
BCX54-10	P	npn hfe100	BC	SOT89
BCX54-16		NPN	BD	SOT89
BCX54-16	P	npn hfe160 comp BCX51-16	BD	SOT89
BCX54-6		NPN	BB	SOT89
BCX55		NPN	BE	SOT89
BCX55	P	npn AF 60V comp BCX52	BE	SOT89
BCX55-10		NPN	BG	SOT89
BCX55-10	P	npn hfe 100	BG	SOT89
BCX55-16		NPN	BM	SOT89
BCX55-16	P	npn hfe 160	BM	SOT89
BCX55-6		NPN	BF	SOT89
BCX56		NPN	BH	SOT89
BCX56	P	npn AF 80V	BH	SOT89
BCX56-10		NPN	BK	SOT89
BCX56-10	P	npn hfe 100	BK	SOT89
BCX56-16		NPN	BL	SOT89
BCX56-16	P	npn hfe 160	BL	SOT89
BCX56-6		NPN	BJ	SOT89
BCX68		NPN	CA	SOT89
BCX68-10		NPN	CB	SOT89
BCX68-10	P	npn AF 20V 2A hfe 100	CB	SOT89
BCX68-16		NPN	CC	SOT89
BCX68-16	P	npn AF 20V 2A hfe 160	CC	SOT89
BCX68-25		NPN	CD	SOT89
BCX68-25	P	npn AF 20V 2A hfe 250	CD	SOT89
BCX69		PNP	CE	SOT89
BCX69-10		PNP	CF	SOT89
BCX69-10	P	pnp AF 20V 2A hfe 100	CF	SOT89
BCX69-16		PNP	CG	SOT89
BCX69-16	P	pnp AF 20V 2A hfe 160	CG	SOT89
BCX69-25		PNP	CH	SOT89
BCX69-25	N	pnp AF 20V 2A hfe 250	CH	SOT89
BCX70G		NPN	AG	SOT23
BCX70G	N	BCY59-vii BC107	AG	SOT23
BCX70G	N	BCY59-vii BC107	AGp	SOT23
BCX70G	N	BCY59-vii BC107	AGs	SOT23
BCX70G	N	BCY59-vii BC107	AGt	SOT23
BCX70H		NPN	AH	SOT23
BCX70H	N	BCY59-viii BC107B	AH	SOT23
BCX70H	N	BCY59-viii BC107B	AHp	SOT23
BCX70H	N	BCY59-viii BC107B	AHs	SOT23
BCX70H	N	BCY59-viii BC107B	AHt	SOT23
BCX70HR		NPN	9P	SOT23
BCX70J		NPN	AJ	SOT23

BCX70J	N	BCY59-ix BC107	AJ s	SOT23
BCX70J	N	BCY59-ix BC107	AJ	SOT23
BCX70J	N	BCY59-ix BC107	AJp	SOT23
BCX70J	N	BCY59-ix BC107	AJt	SOT23
BCX70JR	R	BCY59-ix	AX	SOT23R
BCX70K		NPN	AK	SOT23
BCX70K	N	BCY59-x BC107	AK	SOT23
BCX70K	N	BCY59-x BC107	AKp	SOT23
BCX70K	N	BCY59-x BC107	AKs	SOT23
BCX70KR		NPN	P9	SOT23
BCX70KR	R	BCY59-x	AY	SOT23R
BCX70KR	R	BCY59-x	P9	SOT23R
BCX70RG		NPN	AU	SOT23
BCX70RH		NPN	AW	SOT23
BCX70RJ		NPN	AX	SOT23
BCX70RK		NPN	AY	SOT23
BCX71		PNP	BX	SOT23
BCX71G		PNP	BG	SOT23
BCX71G	N	BCY79-vii	BG	SOT23
BCX71G	N	BCY79-vii	BGp	SOT23
BCX71G	N	BCY79-vii	BGs	SOT23
BCX71G	N	BCY79-vii	BGt	SOT23
BCX71GR		PNP	CG	SOT23
BCX71GR	N	BCX79-vii	BU	SOT23
BCX71GR	R	BCY79-vii	CG	SOT23R
BCX71H		PNP	BH	SOT23
BCX71H	N	BCY79-viii	BH	SOT23
BCX71H	N	BCY79-viii	BHp	SOT23
BCX71H	N	BCY79-viii	BHs	SOT23
BCX71H	N	BCY79-viii	BHt	SOT23
BCX71HR		PNP	6P	SOT23
BCX71HR	R	BCX79	6P	SOT23R
BCX71J		PNP	BJ	SOT23
BCX71J	N	BCY79-ix	BJ	SOT23
BCX71J	N	BCY79-ix	BJp	SOT23
BCX71J	N	BCY79-ix	BJs	SOT23
BCX71J	N	BCY79-ix	BJt	SOT23
BCX71JR		PNP	J8	SOT23
BCX71JR	R	BCY79-ix	J8	SOT23R
BCX71JR	R	BCY79-viii	CK	SOT23R
BCX71K		PNP	BK	SOT23
BCX71K	N	BCY79	BK	SOT23
BCX71K	N	BCY79	BKp	SOT23
BCX71K	N	BCY79	BKs	SOT23
BCX71K	N	BCY79	BKt	SOT23
BCX71KR		PNP	CK	SOT23
BCX71RG		PNP	BU	SOT23
BCX71RH		PNP	BW	SOT23
BCX71RK		PNP	BY	SOT23
BF1005	W	n-ch dg mosfet 1GHz 5V	MZ	
BF1009	W	biased n-ch dg mosfet 1GHz9V	JKs	SOT143
BF1009S	W	biased n-ch dg mosfet 1GHz9V	JLs	SOT143
BF1012	W	n-ch dg mosfet 1GHz 12V	MY	
BF1012s	W	n-ch dg mosfet 1GHz 12V	NY	
BF510		FET	S6	SOT23
BF510	G	BF410A	S6	
BF511		FET	S7	SOT23

BF511	G	BF410B	S7	
BF512		FET	S8	SOT23
BF512	G	BF410C	S8	
BF513		FET	S9	SOT23
BF513	G	BF410D	S9	
BF517		NPN	LR	SOT23
BF517	T	BF763 2.5 GHz	LRs	SOT23
BF536		PNP	G3	SOT23
BF543		FET	LD	SOT23
BF543	G	n-ch vhf mosfet 300MHz	LDs	SOT23
BF545A		FET	M65	SOT23
BF545B		FET	M66	SOT23
BF545C		FET	M67	SOT23
BF547		NPN	E16	SOT23
BF550		PNP	G2	SOT23
BF550		PNP	LA	SOT23
BF550	N	pnv 40V 25mA	LAp	SOT23
BF550R		PNP	G5	SOT23
BF554		NPN	CC	SOT23
BF556A		FET	M84	SOT23
BF556B		FET	M85	SOT23
BF556C		FET	M86	SOT23
BF569		PNP	G6	SOT23
BF569		PNP	LH	SOT23
BF569	N	BF970 pnp RF	LHs	SOT23
BF569R		PNP	LM	SOT23
BF569R	R	BF970 pnp RF	LH	
BF570			B26	SOT23
BF570		NPN	B26	SOT23
BF579		PNP	G7	SOT23
BF579		PNP	LJ	SOT23
BF579	N	BF979 pnp uhf fT 1.75GHz	G7	
BF579R		PNP	GG	SOT23
BF579R	R	BF979 pnp uhf fT1.75GHz	GG	
BF599		NPN	NB	SOT23
BF620		NPN	DC	SOT89
BF621		PNP	DF	SOT89
BF622		NPN	DA	SOT89
BF623		PNP	DB	SOT89
BF660		PNP	G8	SOT23
BF660		PNP	LE	SOT23
BF660	N	BF606A pnp vhf osc fT 800MHz	LEs	SOT23
BF747		NPN	E15	SOT23
BF749		NPN	V34	SOT143R
BF750		NPN	V32	SOT143R
BF752		NPN	V38	SOT143R
BF767		PNP	G9	SOT23
BF770A		NPN	LS	SOT23
BF770A	N	npn low noise RF, Ft 6GHz	LSs	SOT23
BF771		NPN	RB	SOT23
BF771	N	npn RF fT 8GHz	RBs	SOT23
BF771W	N	npn RF fT 8GHz	RBs	SOT323
BF772		NPN	RA	SOT143
BF772	X	npn RF TV tuners	RAs	SOT143
BF775		NPN	LO	SOT23
BF775	N	BFQ69	LOs	SOT23
BF775A		NPN	LG	SOT23

BF775A	N	nnp RF FT 5.6GHz for IFamp	LGs	SOT23
BF775W	N	BFQ69	LOs	SOT323
BF777		NPN	LF	SOT23
BF799		NPN	LK	SOT23
BF799	N	BF959	LKs	SOT23
BF799W	N	BF959	LKs	SOT323
BF820		NPN	1V	SOT23
BF820	N	nnp 300V 50mA	1Vp	SOT23
BF820	N	nnp 300V 50mA	1Vt	SOT23
BF820W	N	nnp 300V 50mA	1V-	SOT323
BF820W	N	nnp 300V 50mA	1Vt	SOT323
BF821		PNP	1W	SOT23
BF821	N	pnp 300V 50mA	1Wp	SOT23
BF821	N	pnp 300V 50mA	1Wt	SOT23
BF822		NPN	1X	SOT23
BF822	N	nnp 250V 50mA	1Xp	SOT23
BF822	N	nnp 250V 50mA	1Xt	SOT23
BF822W	N	pnp 300V 50mA	1W -	SOT323
BF822W	N	pnp 300V 50mA	1W t	SOT323
BF823		PNP	1Y	SOT23
BF823	N	pnp 250V 50mA	1Yp	SOT23
BF823	N	pnp 250V 50mA	1Yt	SOT23
BF824		PNP	F8	SOT23
BF824	N		F8p	SOT23
BF824	N		F8t	SOT23
BF824W	N		F8t	SOT323
BF840		NPN	NC	SOT23
BF841		NPN	ND	SOT23
BF901		FET	M01	SOT143
BF901R		FET	M02	SOT143
BF904		FET	M04	SOT143
BF904R		FET	M06	SOT143
BF989		FET	M89	SOT143
BF989		FET	MA	SOT143
BF989	K	BF960	M89	
BF990		FET	M90	SOT143
BF990	W	BF980	M90	
BF990A		FET	M87	SOT143
BF990AR		FET	M85	SOT143
BF991		FET	M91	SOT143
BF991	W	BF981	M91	
BF992		FET	M92	SOT143
BF992	W	BF982	M92	
BF993		FET	ME	SOT143
BF994		FET	M94	SOT143
BF994	W	BF964	M94	
BF994S		FET	MG	SOT143
BF994S	W	BF964 n-ch dg vhf mosfet	MG	
BF995		FET	MB	SOT143
BF995	W	n-ch vhf dg mosfet BF961	MB	
BF996		FET	M96	SOT143
BF996		FET	MD	SOT143
BF996	W	BF966	M96	
BF996S		FET	MH	SOT143
BF996S	W	BF966 n-ch dg vhf mosfet	MH	
BF997		FET	MK	SOT143
BF998		FET	MO	SOT143

BF998	W	n-ch vhf dg mosfet BF988	MOs	SOT143
BF998R		FET	MO	SOT143R
BF998R	UQ	n-ch vhf dg mosfet BF988	MOR	SOT143R
BF998RW	UQ	vhf dg mosfet BF988	WMO	SOT343R
BF998W	UQ	n-ch vhf dg mosfet BF988	MR	SOT343
BF999		FET	LB	SOT143
BF999	G	n-ch vhf mosfet 300MHz	LBs	SOT23
BFG10	TQ	npn 8V 250mA 1.8GHz pwramp	N70	SOT143
BFG10X	X	8V 250mA 1.8GHz pwr amp	N71	
BFG11	TQ	8V 400mA 1.8GHz pwr amp	N72	SOT143
BFG11X	X	8V 400mA 1.8GHz pwr amp	N73	
BFG17A		NPN	E6	SOT143
BFG197/X		NPN	V13	SOT143
BFG197/XR		NPN	V35	SOT143R
BFG197		NPN	V5	SOT143
BFG197	X	npn RF 7.5GHz 100mA	V5	SOT143
BFG25A/X		NPN	V11	SOT143
BFG33/X		NPN	V16	SOT143
BFG33		NPN	V6	SOT143
BFG505/X		NPN	N39	SOT143
BFG505/XR		NPN	N45	SOT143R
BFG505		NPN	N33	SOT143
BFG505	TQ	npn RF 9GHz 15V 18mA	N33	SOT143
BFG505X	X	npn RF 9GHz 15V 18mA	N39	
BFG520/X		NPN	N42	SOT143
BFG520/XR		NPN	N48	SOT143R
BFG520		NPN	N36	SOT143
BFG520	X	npn RF 9GHz 70mA	N36	SOT143
BFG540	X	npn RF 9GHz 120mA	N37	SOT143
BFG590	TQ	npn RF 5GHz 15V 0.2A	N38	SOT143
BFG590X	X	npn RF 5GHz 15V 0.2A	N44	
BFG67/X		NPN	V12	SOT143
BFG67/XR		NPN	V26	SOT143R
BFG67		NPN	V3	SOT143
BFG67	X	npn RF ft 8GHz 50mA	V3	SOT143
BFG67R		NPN	V27	SOT143R
BFG92A/X		NPN	V14	SOT143
BFG92A/XR		NPN	V29	SOT143R
BFG92A		NPN	P8	SOT143
BFG93A/X		NPN	V15	SOT143
BFG93A/XR		NPN	V33	SOT143R
BFG93A		NPN	R8	SOT143
BFG93A	TQ	BFG90	R8	SOT143
BFN16		NPN	DD	SOT89
BFN17		PNP	DG	SOT89
BFN18		NPN	DE	SOT89
BFN19		PNP	DH	SOT89
BFN20		NPN	DC	SOT89
BFN21		PNP	DF	SOT89
BFN22		NPN	HB	SOT23
BFN22	P	npn Vce 250V	HB	
BFN23		PNP	HC	SOT23
BFN23	P	pnv Vce 250V	HC	
BFN24		NPN	FH	SOT23
BFN24	N	npn 250V comp to BFN25	FHs	SOT23
BFN25		PNP	FK	SOT23
BFN25	N	pnv 250V comp to BFN24	FK	SOT23

BFN26		NPN	FJ	SOT23
BFN26	N	npn 300V comp to BFN27	FJ	SOT23
BFN27		PNP	FL	SOT23
BFN27	N	pnnp 300V comp to BFN26	FL	SOT23
BFP17	X	BFW92	FB	
BFP180		NPN	RD	SOT143
BFP180	X	npn RF 8V 4mA fT 7GHz	RDs	SOT143
BFP180W	WQ	npn RF 8V 4mA fT 7GHz	RDs	SOT343
BFP181		NPN	RF	SOT143
BFP181	X	npn RF 12V 20mA fT 8GHz	RFs	SOT143
BFP181T	X	npn Rf fT 7.8GHz 10V 20mA	18	
BFP181TRW	WQ	npn RF fT 7.8GHz 10V 20mA	W18	
BFP181TW	X	npn RF fT 7.8GHz 10V 20mA	W18	
BFP181W	WQ	npn RF 12V 20mA fT 8GHz	RFs	SOT343
BFP182		NPN	RG	SOT143
BFP182	X	npn RF12V 35mA fT 8GHz	RGs	SOT143
BFP182T	X	npn RF fT 7.5GHz 10V 35mA	82P	
BFP182TRW	WQ	npn rf fT 7.5 GHz 10V 35mA	W82	
BFP182TW	X	npn rf fT 7.5 GHz 10V 35mA	W82	
BFP182W	WQ	npn RF12V 35mA fT 8GHz	RGs	SOT343
BFP183		NPN	RH	SOT143
BFP183	X	npn RF 12V 65mA fT 8GHz	RHs	SOT143
BFP183T	X	npn rf fT 7.4 GHz 10V 65mA	W83	
BFP183T	X	npn RF fT 7.4GHz 10V 65mA	83P	
BFP183TRW	WQ	npn rf fT 7.4 GHz 10V 65mA	W83	
BFP183W	WQ	npn RF 12V 65mA fT 8GHz	RHs	SOT343
BFP193		NPN	RC	SOT143
BFP193	X	BFQ82 npn fT 8GHz	RCs	SOT143
BFP193W	WQ	BFQ82 npn fT 8GHz	RCs	SOT343
BFP194		PNP	RK	SOT143
BFP194	X	pnnp RF 15V 100mA Ft 5GHz	RKs	SOT143
BFP196		NPN	RI	SOT143
BFP196	X	pnnp RF 12V 100mA Ft 7.5GHz	RIs	SOT143
BFP280		NPN	RE	SOT143
BFP280	X	npn RF 8V 8mA fT 7.5GHz	REs	SOT143
BFP280T	W	npn RF fT 7GHz 8V 10mA	28	
BFP280TRW	WQ	npn rf fT 7 GHz 8V 10mA	W28	
BFP280TW	X	npn rf fT 7 GHz 8V 10mA	W28	
BFP280W	WQ	npn RF 8V 8mA fT 7.5GHz	REs	SOT343
BFP29	X	BFT97	FC	
BFP35A	X	BFR34A	FD	
BFP405	MQ		ALs	SOT343
BFP420	MQ	npn fT 25GHz 4.5V 35mA	AMs	SOT343
BFP450	MQ	npn fT 25GHz 4.5V 100mA	ANs	SOT343
BFP520	MQ	npn fT 40GHz 2.5V 40mA	APs	SOT343
BFP540	MQ	npn microwave	ATs	SOT343
BFP67	X	npn Rf fT 7.5GHz 10V 50mA	67	
BFP67R	WQ	npn Rf fT 7.5GHz 10V 50mA	67R	
BFP67W	X	npn rf fT 7.5 GHz 10V 50mA	W67	
BFP81		NPN	FA	SOT143
BFP81	X	BFQ69	FA	
BFP90A	CX	BFG90A	P0	SOT173
BFP91A	CX	BFG91A	P1	SOT173
BFP92A	W	npn RF 6GHz 16V 30mA	92V	
BFP92AW	X	npn rf fT 6 GHz 15V 30mA	W92	SOT343
BFP93A		NPN	FE	SOT143
BFP93A	X	BFP93A (FE) in 6GHz npn	WFE	SOT343

BFP93A	X	BFR91A	FE	SOT143
BFP96	CX	BFG96	P6	SOT173
BFQ149		PNP	FG	SOT89
BFQ17		NPN	FA	SOT89
BFQ17	P	npn RF 1.5GHz 300mA	FA	SOT89
BFQ17P		NPN	FD	SOT89
BFQ17P	P	BFW16A	FD	SOT89
BFQ18A		NPN	FF	SOT89
BFQ19		NPN	FB	SOT89
BFQ19	P	npn RF Ft 5.5GHz 100mA	FA	SOT89
BFQ193		NPN	RC	SOT89
BFQ19P		NPN	FE	SOT89
BFQ19P	P	BFR96	FEs	SOT89
BFQ19S		NPN	FG	SOT89
BFQ19S	P	BFR96S	FG	SOT89
BFQ23C	CX	pnnp complement BFP91A	C3	SOT173
BFQ29P		NPN	KC	SOT23
BFQ29P	N	BFT66	KC	
BFQ31		NPN	S2	SOT23
BFQ31	N	npn vhf 15V 0.1A	S2	
BFQ31A		NPN	S4	SOT23
BFQ31A	N	npn vhf 15V 0.1A	S4	
BFQ31AR		NPN	S5	SOT23
BFQ31AR	R	npn vhf 15V 0.1A	S5	
BFQ31R		NPN	S3	SOT23
BFQ31R	R	npn vhf 15V 0.1A	S3	
BFQ32C	CX	pnnp 4.5GHz 15V 100mA	C2	SOT173
BFQ51C	CX	pnnp BFR90A complement	C1	SOT173
BFQ57	CX	npn 6.5GHz 16V/35mA	57	SOT173
BFQ58	CX	npn 6.5GHz 16V/30mA	58	SOT173
BFQ64		NPN	FC	SOT89
BFQ64	P	BFT98T	FC	
BFQ67		NPN	V2	SOT23
BFQ67	N	npn RF ft 7.5 GHz 50mA	V2	
BFQ67W		NPN	V2	SOT323
BFQ70	CX	npn ft 5.2GHz 15V 35mA	70	SOT173
BFQ71	CX	npn ft 5.2GHz 15V 30mA	71	SOT173
BFQ72	CX	npn ft 5.1GHz 15V 50mA	72	SOT173
BFQ73	CX	npn ft 4.9GHz 15V 75mA	73	SOT173
BFQ73S	CX	npn ft 5.3GHz 15V 100mA	73S	SOT173
BFQ74	CX	npn ft 6GHz 16V 35mA	74	SOT173
BFQ75	CX	pnnp ft 5GHz 12V 50mA	75	SOT173
BFQ76	CX	pnnp ft 5GHz 15V 30mA	76	SOT173
BFQ77	CX	npn ft 7GHz 15V 20mA	77	SOT173
BFQ81		NPN	RA	SOT23
BFQ81	N	BFQ69 npn ft 5.8GHz	RA	SOT23
BFR101A			M97	
BFR101A		FET	M97	SOT143
BFR101B			M98	
BFR101B		FET	M98	SOT143
BFR106		NPN	R7	SOT23
BFR106	N	BFR96S	R7	SOT23
BFR180		NPN	RD	SOT23
BFR180	N	npn RF 8V 4mA ft 7GHz	RDs	SOT23
BFR180W	N	npn RF 8V 4mA ft 7GHz	RDs	SOT323
BFR181		NPN	RF	SOT23
BFR181	N	npn RF 12V 20mA ft 8GHz	RFs	SOT23

BFR181TW	N	npn RF FT 7.8GHz	WRF	
BFR182		NPN	RG	SOT23
BFR182	N	npn RF12V 35mA FT 8GHz	RGs	SOT23
BFR182T	N	npn RF12V 35mA FT 8GHz	RGs	SC75
BFR182TW	N	npn RF FT 7GHz	WRG	
BFR182W	N	npn RF12V 35mA FT 8GHz	RGs	SOT323
BFR183		NPN	RH	SOT23
BFR183	N	npn RF 12V 65mA FT 8GHz	RHs	SOT23
BFR183T	N	npn RF 12V 65mA FT8GHz	RHs	SC75
BFR183TW	N	npn RF FT 7.4GHz	WRH	
BFR183W	N	npn RF 12V 65mA FT 8GHz	RHs	SOT323
BFR193		NPN	RC	SOT23
BFR193	N	BFQ82 npn FT 8GHz	RCs	SOT23
BFR193T	N	BFQ82 npn FT 8GHz	RCs	SC75
BFR194		PNP	RK	SOT23
BFR194	N	pnnp RF 15V 100mA Ft 5GHz	RKs	SOT233
BFR194	N	pnnp RF amp 1.5GHz	RW	
BFR200		FET	M20	SOT143
BFR280		NPN	RE	SOT23
BFR280	N	npn RF 8V 8mA FT 7.5GHz	REs	SOT23
BFR280TW	N	npn RF FT 7.5GHz	WRE	
BFR280W	N	npn RF 8V 8mA FT 7.5GHz	REs	SOT323
BFR30		FET	M1	SOT23
BFR30	F	BFW11 BF245	M1	SOT23
BFR30R		FET	F13	SOT23
BFR31		FET	M2	SOT23
BFR31	F	BFW12 BF245	M2	SOT23
BFR31R		FET	F14	SOT23
BFR35AP		NPN	GE	SOT23
BFR35AP	N	BFR34A	GE	SOT23
BFR505		NPN	N30	SOT23
BFR505	N	npn RF 9GHz 15V 18mA	N30	SOT23
BFR520		NPN	N28	SOT23
BFR520	N	npn RF 9GHz 70mA	N28	SOT23
BFR53		NPN	N1	SOT23
BFR540	N	npn RF 9GHz 120mA	N29	SOT23
BFR92		NPN	P1	SOT23
BFR92	N	BFR90	P1	SOT23
BFR92A		NPN	P2	SOT23
BFR92A	N	BFR90A	P2	SOT23
BFR92A	N	BRF90A	WP2	SOT23
BFR92AR		NPN	P5	SOT23
BFR92AR	R	BFR90A	P5	SOT23R
BFR92AW		NPN	P2	SOT323
BFR92AW	N	BFR90A	P2p	SOT323
BFR92P		NPN	GF	SOT23
BFR92P	N	BFR90	GF	SOT23
BFR92R		NPN	P4	SOT23
BFR92R	R	BFR90	P4	SOT23R
BFR93		NPN	R1	SOT23
BFR93	N	BFR91	R1	SOT23
BFR93A		NPN	R2	SOT23
BFR93A		NPN	R2	SOT323
BFR93A	N	BFR91A	R2	SOT23
BFR93AR		NPN	R5	SOT23
BFR93AR	R	BFR91A	R5	SOT23R
BFR93AW	N	BFR91A	WR2	

BFR93P		NPN	GG	SOT23
BFR93P	N	BFR91	RR	SOT23
BFR93P	N	BFR91A	GG	SOT23
BFR93R		NPN	R4	SOT23
BFR93R	R	BFR91	R4	
BFS17		NPN	E1	SOT23
BFS17	N	BFY90 BFW92	E1p	SOT23
BFS17A		NPN	E2	SOT23
BFS17A	N	npn RF 3GHz 25mA	E2	SOT23
BFS17AR		NPN	E5	SOT23
BFS17AR	R	npn rf 3 GHz 25mA	E5	
BFS17AW	N	npn rf ft 3.2GHz SOT-323	WE2	
BFS17P		NPN	MC	SOT23
BFS17P	N	BFW92	MCs	SOT23
BFS17PW	N	BFW92	MCs	SOT323
BFS17R		NPN	E4	SOT23
BFS17R	R	BFY90 BFW92	E4	
BFS17S		NPN	E5	SOT23
BFS17W		NPN	E1	SOT323
BFS17W	N	BFY90 BFW92	E1p	SOT323
BFS17W	N	npn rf ft 2.1GHz SOT-323	WE1	
BFS18		NPN	F1	SOT23
BFS18	N	BF495	F1	SOT23
BFS18R		NPN	F4	SOT23
BFS18R	N	BF495	F4	
BFS19		NPN	F2	SOT23
BFS19	N	BF184 BF494	F2	SOT23
BFS19	N	BF184 BF494	F2p	SOT23
BFS19	N	BF184 BF494	F2t	SOT23
BFS19R		NPN	F5	SOT23
BFS19R	N	BF184 BF494	F5	
BFS20		NPN	G1	SOT23
BFS20		NPN	NA	SOT23
BFS20	N	BF199	G1	SOT23
BFS20	N	BF199	G1p	SOT23
BFS20R		NPN	G4	SOT23
BFS20R	N	BF199	G4	SOT23
BFS25A		NPN	N6	SOT323
BFS25A	N	npn RF 5GHz 6.5mA 32 mW	N6	SOT323
BFS480	DJ	dual RF npn ft 7GHz	REs	SOT363
BFS481	DJ	Dual BFR181	RFs	SOT363
BFS482	DJ	Dual BFR182	RGs	SOT363
BFS483	DJ	Dual BFR183 npn RF	RHs	SOT363
BFS505		NPN	N0	SOT323
BFS520		NPN	N2	SOT323
BFS520	N	npn RF 9GHz 70mA	N2	SOT323
BFS540		NPN	N4	SOT323
BFT25		NPN	V1	SOT23
BFT25	N	npn RF 5V 6.5mA 2.3GHz	V1p	SOT23
BFT25A		NPN	V10	SOT23
BFT46		FET	M3	SOT23
BFT46	F	n-ch fet gp low level amp	M3	SOT23
BFT92		PNP	W1	SOT23
BFT92	N	BFQ51/BFQ76	W1s	SOT23
BFT92W		PNP	W1	SOT323
BFT93		PNP	X1	SOT23
BFT93	N	BFQ23 BFQ75	X1	SOT23

BFT93W		PNP	X1	SOT23
BG427	HQ	MMIC amp 18 dB @1.8GHz	BM5	SOT343
BGA310	GQ	MMIC amp 9dB @1GHz	BL	SOT143
BGA312	GQ	MMIC amp 11dB @1GHz	BM	SOT143
BGA318	GQ	MMIC amp 16dB @1GHz	BN	SOT143
BGA420	HQ	MMIC amp 13 dB @1.8GHz	BLs	SOT343
BGX50A		diodax4	U1	SOT143
BGX50A	BQ	quad ring Si sw diodes	U1	SOT143
BRY55-100		SCR	D78	SOT23
BRY55-100R		SCR	D79	SOT23
BRY55-200		SCR	D87	SOT23
BRY55-200R		SCR	D82	SOT23
BRY55-30		SCR	D52	SOT23
BRY55-30R		SCR	D65	SOT23
BRY55-60		SCR	D66	SOT23
BRY55-60R		SCR	D67	SOT23
BRY61			A5p	SOT143
BRY61			A5t	SOT143
BRY61		PROGUJT	AS	SOT23
BRY62			A51	SOT143
BRY62		PROGUJT	A51	SOT23
BS170F		MOSFET	MV	SOT23
BS250F		MOSFET	MX	SOT23
BSD20		FET	M31	SOT89
BSD20	XQ	n-ch depl sw mosfet 10V	M31	
BSD22		FET	M32	SOT89
BSD22	XQ	n-ch depl sw mosfet 20V	M32	
BSH101	M	n-ch 60V 0.7A mosfet	pJ1	SOT23
BSH102	M	n-ch 30V 1A mosfet	pJ2	SOT23
BSH103	M	n-ch 30V 0.8A mosfet	pJ3	SOT23
BSH103	M	n-ch 50V 0.11A mosfet	M8	SOT23
BSN20	M	n-ch 50V 0.11A mosfet	M8p	SOT23
BSP16	P	pnv l'300V 1A	BT2	SOT223
BSP52	P	npn darlington 0.5A hfe2000	AS3	SOT223
BSP62	P	pnv darlington 0.5A hfe2000	BS3	SOT89
BSR12		PNP	B5	SOT23
BSR13		NPN	U7	SOT23
BSR13	N	2N2222	U7	SOT23
BSR13	N	2N2222	U7p	SOT23
BSR13	N	2N2222	U7t	SOT23
BSR13R		NPN	U71	SOT23
BSR13R	R	2N2222	U71	SOT23R
BSR14		NPN	U8	SOT23
BSR14	N	2N2222A	U8	SOT23
BSR14	N	2N2222A	U8p	SOT23
BSR14	N	2N2222A	U8t	SOT23
BSR14R		NPN	U81	SOT23
BSR14R	R	2N2222A	U81	SOT23R
BSR15		PNP	T7	SOT23
BSR15	N	2N2907	T7	SOT23
BSR15	N	2N2907	T7p	SOT23
BSR15	N	2N2907	T7t	SOT23
BSR15R		PNP	T71	SOT23
BSR15R	R	2N2907	T71	SOT23R
BSR16		PNP	T8	SOT23
BSR16	N	2N2907A	T8	SOT23
BSR16	N	2N2907A	T8p	SOT23

BSR16	N	2N2907A	T8t	SOT23
BSR16R		PNP	T81	SOT23
BSR16R	R	2N2907A	T81	SOT23R
BSR17		NPN	U9	SOT23
BSR17A		NPN	U92	SOT23
BSR17A	N	2N3904	U92	SOT23
BSR17A	N	2N3904	U92p	SOT23
BSR18		PNP	T9	SOT23
BSR18A		PNP	T92	SOT23
BSR18A	N	2N3904	T92	SOT23
BSR18A	N	2N3904	T92P	SOT23
BSR19		NPN	U35	SOT23
BSR19A		NPN	U36	SOT23
BSR20		PNP	T35	SOT23
BSR20A		PNP	T36	SOT23
BSR30		PNP	BR1	SOT89
BSR30	P	pnp 70V 1A 1.35W hfe 40-120	BR1	SOT89
BSR31		PNP	BR2	SOT89
BSR31	P	pnp 70V 1A 1.35W hfe 100-300	BR2	SOT89
BSR32		PNP	BR3	SOT89
BSR33		PNP	BR4	SOT89
BSR33	P	pnp 90V 1A 1.35W hfe 100-300	BR4	SOT89
BSR40		NPN	AR1	SOT89
BSR40	P	npn 70V 1A 1.35W hfe 40-120	AR1	SOT89
BSR41		NPN	AR2	SOT89
BSR41	P	npn 70V 1A 1.35W hfe 100-300	AR2	SOT89
BSR42		NPN	AR3	SOT89
BSR42	P	npn 90V 1A 1.35W hfe 40-120	AR3	SOT89
BSR43		NPN	AR4	SOT89
BSR43	P	npn 90V 1A 1.35W hfe 100-300	AR4	SOT89
BSR56		FET	M4	SOT23
BSR56	F	2N4856 n-ch fet	M4	
BSR57		FET	M5	SOT23
BSR57	F	2N5457 n-ch fet	M5	
BSR58		FET	M6	SOT23
BSR58	F	2N4858 n-ch fet	M6	SOT23
BSS119		MOSFET	SH	SOT23
BSS123		MOSFET	SA	SOT23
BSS123	M	n-ch mosfet 100V 0.17A	SA	SOT23
BSS123	M	n-ch tmosfet Vds 100V	5A	SOT23
BSS123A		MOSFET	SAA	SOT23
BSS131		MOSFET	SR	SOT23
BSS131	M	n-ch mosfet 240V 0.1A	SR	SOT23
BSS138		MOSFET	SS	SOT23
BSS138	M	n-ch mosfet 50V 0.22A	SS	SOT23
BSS138L	M	n-ch enh TMOS fet	J1	SOT23
BSS139		MOSFET	ST	SOT23
BSS139	M	n-ch dep mosfet 250V 0.04A	ST	SOT23
BSS192		MOSFET	KB	SOT89
BSS284	M	p-ch mosfet 50V 0.13A	SD	SOT23
BSS63		PNP	BM	SOT23
BSS63		PNP	T3	SOT23
BSS63	N	100v pnp comp BSS64	BMp	SOT23
BSS63	N	100v pnp comp BSS64	BMt	SOT23
BSS63	N	BSS68	T3	SOT23
BSS63	N	pnp 100V 0.1A	T1	SOT23
BSS63L	N	100v pnp comp BSS64	BM	SOT23

BSS63R		PNP	T6	SOT23
BSS63R	R	BSS68	T6	SOT23R
BSS64		NPN	AM	SOT23
BSS64		NPN	U3	SOT23
BSS64	N	120V 0.25A 0.2W	U3	SOT23
BSS64	N	npn 80V 0.1A fT 60MHz	AM	SOT23
BSS64	N	npn 80V 0.1A fT 60MHz	AMp	SOT23
BSS64	N	npn 80V 0.1A fT 60MHz	AMs	SOT23
BSS64	N	npn 80V 0.1A fT 60MHz	AMt	SOT23
BSS64R		NPN	U6	SOT23
BSS64R	R	120V 0.25A 0.2W	U6	SOT23R
BSS65		PNP	L1	SOT23
BSS65	N	pnP 12V 0.1A 400MHz sw	L1	
BSS65R		PNP	L5	SOT23
BSS65R	R	pnP 12V 0.1A 400MHz sw	L5	
BSS66		NPN	M6	SOT23
BSS66	N	npn 40V 0.1A sw fT 250MHz	M6	
BSS66R		NPN	M8	SOT23
BSS66R	R	npn 40V 0.1A sw fT 250MHz	M8	
BSS67		NPN	M7	SOT23
BSS67	N	npn 40V 0.1A sw fT 300MHz	M7	
BSS67R		NPN	M9	SOT23
BSS67R	R	npn 40V 0.1A sw fT 300MHz	M9	
BSS69		PNP	L2	SOT23
BSS69	N	pnP 40V 0.1A 200MHz sw	L2	
BSS69R		PNP	L6	SOT23
BSS69R	N	pnP 40V 0.1A 200MHz sw	L6	
BSS70		PNP	L3	SOT23
BSS70	N	pnP 40V 0.1A 200MHz sw	L3	
BSS70R		PNP	L7	SOT23
BSS70R	N	pnP 40V 0.1A 200MHz sw	L7	
BSS79B		NPN	CE	SOT23
BSS79B	N	npn 40V 0.8A hfe 40-120	CEs	SOT23
BSS79C		NPN	CF	SOT23
BSS79C	N	npn 40V 0.8A hfe 100 min	CF	SOT23
BSS80B		PNP	CH	SOT23
BSS80B	N	pnP 40V 0.8A hfe 40-120	CHs	SOT23
BSS80C		PNP	CJ	SOT23
BSS80C	N	pnP 40V 0.8A hfe 100 min	CJs	SOT23
BSS81B		NPN	CD	SOT23
BSS81B	N	npn sw 35V 0.8A	CDs	SOT23
BSS81C		NPN	CG	SOT23
BSS81C	N	npn sw 35V 1A	CGs	SOT23
BSS82B		PNP	CL	SOT23
BSS82B	N	pnP 60V 0.8A hfe 40-120	CLs	SOT23
BSS82BL	N	pnP 60V	CH	SOT23
BSS82C		PNP	CM	SOT23
BSS82C	N	pnP 60V 0.8A hfe 100 min	CMs	SOT23
BSS83		MOSFET	M74	SOT143
BSS83	XQ	n-ch enh sw mosfet	M74	
BSS84		MOSFET	SP	SOT23
BSS84	M	p-ch mosfet 50V 0.13A	SP	SOT23
BSS84	M	p-ch mosfet 50V 0.13A	YBs	SOT23
BSS84L	M	p-ch enh tmosfet	PD	SOT23
BSS87		MOSFET	KA	SOT87
BST120		FET	LM	SOT89
BST122		FET	LN	SOT89

BST122	T	p-ch DMOSfet 50V 0.25A	LN	
BST15		PNP	BT1	SOT89
BST16		PNP	BT2	SOT89
BST16	P	pnp I'300V 1A	BT2	SOT89
BST39		NPN	AT1	SOT89
BST40		NPN	AT2	SOT89
BST50		NPN	AS1	SOT89
BST50	P	npn darlington 0.5A 60V	AS1	SOT89
BST51		NPN	AS2	SOT89
BST51	P	npn darlington 0.5A 80V	AS2	SOT89
BST52		NPN	AS3	SOT89
BST52	P	npn darlington 0.5A 90V	AS3	SOT89
BST60		PNP	BS1	SOT89
BST60	P	pnp darlington 0.5A 60V	BS1	SOT89
BST61		PNP	BS2	SOT89
BST61	P	pnp darlington 0.5A 80V	BS2	SOT89
BST62		PNP	BS3	SOT89
BST62	P	pnp darlington 0.5A 90V	BS3	SOT89
BST80		FET	KM	SOT89
BST80	T	VN10	KM	
BST82		FET	O2	SOT23
BST82	M	n-ch mosfet 80V 175mA	O2	
BST82	M	n-ch mosfet 80V 175mA	O2	SOT23
BST84		FET	KN	SOT89
BST84	T	Nch VMOS 200V 0.25A	KN	
BST86		FET	KO	SOT89
BST86	T	nch VMOS 180V 0.3A	KO	
BSV52		NPN	B2	SOT23
BSV52	N	BSX20 12V fT 400MHz sw	B2	SOT23
BSV52	N	BSX20 12V fT 400MHz sw	B2p	SOT23
BSV52	N	BSX20 12V fT 400MHz sw	B2t	SOT23
BSV52R		NPN	B4	SOT23
BSV52R	R	BSX20	B4	SOT23R
BSX39		NPN	2	SOT23
BZV49-C10		zener.	10Y	SOT89
BZV49-C10	O	10V 1W zener	10Y	SOT89
BZV49-C11		zener.	11Y	SOT89
BZV49-C11	O	11V 1W zener	11Y	SOT89
BZV49-C12		zener.	12Y	SOT89
BZV49-C12	O	12V 1W zener	12Y	SOT89
BZV49-C13		zener.	13Y	SOT89
BZV49-C13	O	13V 1W zener	13Y	SOT89
BZV49-C15		zener.	15Y	SOT89
BZV49-C15	O	15V 1W zener	15Y	SOT89
BZV49-C16		zener.	16Y	SOT89
BZV49-C16	O	16V 1W zener	16Y	SOT89
BZV49-C18		zener.	18Y	SOT89
BZV49-C18	O	18V 1W zener	18Y	SOT89
BZV49-C20		zener.	20Y	SOT89
BZV49-C20	O	20V 1W zener	20Y	
BZV49-C22		zener.	22Y	SOT89
BZV49-C22	O	22V 1W zener	22Y	
BZV49-C24		zener.	24Y	SOT89
BZV49-C24	O	24V 1W zener	24Y	
BZV49-C27		zener.	27Y	SOT89
BZV49-C27	O	27V 1W zener	27Y	
BZV49-C2V4		zener.	2Y4	SOT89

BZV49-C2V4	O	2.4V 1W zener	2Y4	SOT89
BZV49-C2V7		zener.	2Y7	SOT89
BZV49-C2V7	O	2.7V 1W zener	2Y7	SOT89
BZV49-C33		zener.	33Y	SOT89
BZV49-C36		zener.	36Y	SOT89
BZV49-C39		zener.	39Y	SOT89
BZV49-C3V3		zener.	3Y3	SOT89
BZV49-C3V6		zener.	3Y6	SOT89
BZV49-C3V9		zener.	3Y9	SOT89
BZV49-C3VO		zener.	3YO	SOT89
BZV49-C43		zener.	43Y	SOT89
BZV49-C43	O	43V 1W zener	43Y	SOT89
BZV49-C47		zener.	47Y	SOT89
BZV49-C47	O	47V 1W zener	47Y	SOT89
BZV49-C4V3		zener.	4Y3	SOT89
BZV49-C4V3	O	4.3V 1W zener	4Y3	SOT89
BZV49-C4V7		zener.	4Y7	SOT89
BZV49-C4V7	O	4.7V 1W zener	4Y7	SOT89
BZV49-C51		zener.	51Y	SOT89
BZV49-C51	O	51V 1W zener	51Y	SOT89
BZV49-C56		zener.	56Y	SOT89
BZV49-C56	O	56V 1W zener	56Y	SOT89
BZV49-C5V1		zener.	5Y1	SOT89
BZV49-C5V1	O	5.1V 1W zener	5Y1	SOT89
BZV49-C5V6		zener.	5Y6	SOT89
BZV49-C5V6	O	5.6V 1W zener	5Y6	SOT89
BZV49-C62		zener.	62Y	SOT89
BZV49-C62	O	62V 1W zener	62Y	SOT89
BZV49-C68		zener.	68Y	SOT89
BZV49-C68	O	68V 1W zener	68Y	SOT89
BZV49-C6V2		zener.	6Y2	SOT89
BZV49-C6V2	O	6.2V 1W zener	6Y2	SOT89
BZV49-C6V8		zener.	6Y8	SOT89
BZV49-C6V8	O	6.8V 1W zener	6Y8	SOT89
BZV49-C75		zener.	75Y	SOT89
BZV49-C75	O	75V 1W zener	75Y	SOT89
BZV49-C7V5		zener.	7Y5	SOT89
BZV49-C7V5	O	7.5V 1W zener	7Y5	SOT89
BZV49-C8V2		zener.	8Y2	SOT89
BZV49-C8V2	O	8.2V 1W zener	8Y2	SOT89
BZV49-C9V1		zener.	9Y1	SOT89
BZV49-C9V1	O	9.1V 1W zener	9Y1	SOT89
BZV53A		VREFdioda	DA6	SOT23
BZV53B		VREFdioda	DA7	SOT23
BZV54A		VREFdioda	DA8	SOT23
BZV54B		VREFdioda	DA9	SOT23
BZV55.C7V5		zener.	C7V5	SOD80
BZV55-C10		zener.	C10	SOD80
BZV55-C11		zener.	C11	SOD80
BZV55-C12		zener.	C12	SOD80
BZV55-C13		zener.	C13	SOD80
BZV55-C15		zener.	C15	SOD80
BZV55-C16		zener.	C16	SOD80
BZV55-C18		zener.	C18	SOD80
BZV55-C20		zener.	C20	SOD80
BZV55-C22		zener.	C22	SOD80
BZV55-C24		zener.	C24	SOD80

BZV55-C27		zener.	C27	SOD80
BZV55-C2V4		zener.	C2V4	SOD80
BZV55-C2V7		zener.	C2V7	SOD80
BZV55-C30		zener.	C30	SOD80
BZV55-C33		zener.	C33	SOD80
BZV55-C36		zener.	C36	SOD80
BZV55-C39		zener.	C39	SOD80
BZV55-C3V3		zener.	C3V3	SOD80
BZV55-C3V6		zener.	C3V6	SOD80
BZV55-C3V9		zener.	C3V9	SOD80
BZV55-C3VO		zener.	C3VO	SOD80
BZV55-C43		zener.	C43	SOD80
BZV55-C47		zener.	C47	SOD80
BZV55-C4V3		zener.	C4V3	SOD80
BZV55-C4V7		zener.	C4V7	SOD80
BZV55-C56		zener.	C56	SOD80
BZV55-C5V1		zener.	C5V1	SOD80
BZV55-C5V6		zener.	C5V6	SOD80
BZV55-C62		zener.	C62	SOD80
BZV55-C68		zener.	C68	SOD80
BZV55-C6V2		zener.	C6V2	SOD80
BZV55-C6V8		zener.	C6V8	SOD80
BZV55-C75		zener.	C75	SOD80
BZV55-C9V1		zener.	C9V1	SOD80
BZX284-B10	I	0.4W zener 10V E24 -2%	XD	SOD110
BZX284-B11	I	0.4W zener 11V E24 -2%	XE	SOD110
BZX284-B12	I	0.4W zener 12V E24 -2%	XF	SOD110
BZX284-B13	I	0.4W zener 13V E24 -2% S	XG	SOD110
BZX284-B15	I	0.4W zener 15V E24 -2%	XH	SOD110
BZX284-B16	I	0.4W zener 16V E24 -2%	XI	SOD110
BZX284-B18	I	0.4W zener 18V E24 -2%	XJ	SOD110
BZX284-B20	I	0.4W zener 20V E24 -2%	XK	SOD110
BZX284-B22	I	0.4W zener 22V E24 -2%	XL	SOD110
BZX284-B24	I	0.4W zener 24V E24 -2%	XM	SOD110
BZX284-B27	I	0.4W zener 27V E24 -2%	XN	SOD110
BZX284-B2V4	I	0.4W zener 2.4V E24 -2%	WO	SOD110
BZX284-B2V7	I	0.4W zener 2.7V E24 -2%	WP	SOD110
BZX284-B30	I	0.4W zener 30V E24 -2%	XO	SOD110
BZX284-B33	I	0.4W zener 33V E24 -2%	XP	SOD110
BZX284-B36	I	0.4W zener 36V E24 -2%	XQ	SOD110
BZX284-B39	I	0.4W zener 39V E24 -2%	XR	SOD110
BZX284-B3V0	I	0.4W zener 3.0V E24 -2%	WQ	SOD110
BZX284-B3V3	I	0.4W zener 3.3V E24 -2%	WR	SOD110
BZX284-B3V6	I	0.4W zener 3.6V E24 -2%	WS	SOD110
BZX284-B3V9	I	0.4W zener 3.9V E24 -2%	WT	SOD110
BZX284-B43	I	0.4W zener 43V E24 -2%	XS	SOD110
BZX284-B47	I	0.4W zener 47V E24 -2%	XT	SOD110
BZX284-B4V3	I	0.4W zener 4.3V E24 -2%	WU	SOD110
BZX284-B51	I	0.4W zener 51V E24 -2%	XU	SOD110
BZX284-B56	I	0.4W zener 56V E24 -2%	XV	SOD110
BZX284-B62	I	0.4W zener 62V E24 -2%	XW	SOD110
BZX284-B68	I	0.4W zener 68V E24 -2%	XX	SOD110
BZX284-B75	I	0.4W zener 75V E24 -2%	XY	SOD110
BZX284-B7V5	I	0.4W zener 7.5V E24 -2%	XA	SOD110
BZX284-B8V2	I	0.4W zener 8.2V E24 -2%	XB	SOD110
BZX284-B9V1	I	0.4W zener 9.1V E24 -2%	XC	SOD110
BZX284-C10	I	0.4W zener 10V -5%	ZD	SOD110

BZX284-C11	I	0.4W zener 11V -5%	ZE	SOD110
BZX284-C12	I	0.4W zener 12V -5%	ZF	SOD110
BZX284-C13	I	0.4W zener 13V -5%	ZG	SOD110
BZX284-C15	I	0.4W zener 15V -5%	ZH	SOD110
BZX284-C16	I	0.4W zener 16V -5%	ZI	SOD110
BZX284-C18	I	0.4W zener 18V -5%	ZJ	SOD110
BZX284-C20	I	0.4W zener 20V -5%	ZK	SOD110
BZX284-C22	I	0.4W zener 22V -5%	ZL	SOD110
BZX284-C24	I	0.4W zener 24V -5%	ZM	SOD110
BZX284-C27	I	0.4W zener 27V -5%	ZN	SOD110
BZX284-C2V4	I	0.4W zener 2.4V E12 -5%	YO	SOD110
BZX284-C2V7	I	0.4W zener 2.7V E12 -5%	YP	SOD110
BZX284-C30	I	0.4W zener 30V -5%	ZO	SOD110
BZX284-C33	I	0.4W zener 33V -5%	ZP	SOD100
BZX284-C36	I	0.4W zener 36V -5%	ZQ	SOD110
BZX284-C39	I	0.4W zener 39V -5%	ZR	SOD110
BZX284-C3V0	I	0.4W zener 3.0V E12 -5%	YQ	SOD110
BZX284-C3V3	I	0.4W zener 3.3V E12 -5%	YR	SOD110
BZX284-C3V6	I	0.4W zener 3.6V E12 -5%	YS	SOD110
BZX284-C3V9	I	0.4W zener 3.9V E12 -5%	YT	SOD110
BZX284-C43	I	0.4W zener 43V -5%	ZS	SOD110
BZX284-C47	I	0.4W zener 47V -5%	ZT	SOD110
BZX284-C4V3	I	0.4W zener 4.3V E12 -5%	YU	SOD110
BZX284-C4V7	I	0.4W zener 4.7V E12 -5%	YV	SOD110
BZX284-C51	I	0.4W zener 51V -5%	ZU	SOD110
BZX284-C56	I	0.4W zener 56V -5%	ZV	SOD110
BZX284-C5V1	I	0.4W zener 5.1V E12 -5%	YW	SOD110
BZX284-C5V6	I	0.4W zener 5.6V E12 -5%	YX	SOD110
BZX284-C62	I	0.4W zener 62V -5%	ZW	SOD110
BZX284-C68	I	0.4W zener 68V -5%	ZX	SOD110
BZX284-C6V2	I	0.4W zener 6.2V E12 -5%	YY	SOD110
BZX284-C6V8	I	0.4W zener 6.8V E12 -5%	YZ	SOD110
BZX284-C75	I	0.4W zener 75V -5%	ZY	SOD110
BZX284-C7V5	I	0.4W zener 7.5V 5%	ZA	SOD110
BZX284-C8V2	I	0.4W zener 8.2V 5%	ZB	SOD110
BZX284-C9V1	I	0.4W zener 9.1V 5%	ZC	SOD110
BZX399-C10	I	10V 0.3W zener	BJ	SOD323
BZX399-C11	I	11V 0.3W zener	BK	SOD323
BZX399-C12	I	12V 0.3W zener	BL	SOD323
BZX399-C13	I	13V 0.3W zener	BM	SOD323
BZX399-C15	I	15V 0.3W zener	BN	SOD323
BZX399-C16	I	16V 0.3W zener	BP	SOD323
BZX399-C18	I	18V 0.3W zener in SOD323	BQ	SOD323
BZX399-C1V8	I	1.8V 0.3W zener	B1	SOD323
BZX399-C20	I	20V 0.3W zener	BR	SOD323
BZX399-C22	I	22V 0.3W zener	BS	SOD323
BZX399-C24	I	24V 0.3W zener	BT	SOD323
BZX399-C27	I	27V 0.3W zener	BU	SOD323
BZX399-C2V0	I	2.0V 0.3W zener	B2	SOD323
BZX399-C2V2	I	2.2V 0.3W zener	B3	SOD323
BZX399-C2V4	I	2.4V 0.3W zener	B4	SOD323
BZX399-C2V7	I	2.7V 0.3W zener	B5	SOD323
BZX399-C30	I	30V 0.3W zener	BV	SOD323
BZX399-C33	I	33V 0.3W zener	BW	SOD323
BZX399-C36	I	36V 0.3W zener	BX	SOD323
BZX399-C39	I	39V 0.3W zener	BY	SOD323
BZX399-C3V0	I	3.0V 0.3W zener	B6	SOD323

BZX399-C3V3	I	3.3V 0.3W zener	B7	SOD323
BZX399-C3V6	I	3.6V 0.3W zener	B8	SOD323
BZX399-C3V9	I	3.9V 0.3W zener	B9	SOD323
BZX399-C43	I	43V 0.3W zener	BZ	SOD323
BZX399-C4V3	I	4.3V 0.3W zener	B0	SOD323
BZX399-C4V7	I	4.7V 0.3W zener	BA	SOD323
BZX399-C5V1	I	5.1V 0.3W zener	BB	SOD323
BZX399-C5V6	I	5.6V 0.3W zener	BC	SOD323
BZX399-C6V2	I	6.2V 0.3W zener	BD	SOD323
BZX399-C6V8	I	6.8V 0.3W zener	BE	SOD323
BZX399-C7V5	I	7.5V 0.3W zener	BF	SOD323
BZX399-C8V2	I	8.2V 0.3W zener	BG	SOD323
BZX399-C9V1	I	9.1V 0.3W zener i	BH	SOD323
BZX84-C10		zener.	Z9	SOT23
BZX84-C10	C	0.3W zener 10V	Z9	SOT23
BZX84-C11		zener.	Y1	SOT23
BZX84-C11	C	0.3W zener 11V	Y1	SOT23
BZX84-C12		zener.	Y2	SOT23
BZX84-C12	C	0.3W zener 12V	Y2	SOT23
BZX84-C13		zener.	Y3	SOT23
BZX84-C13	C	0.3W zener 13V	Y3	SOT23
BZX84-C15		zener.	Y4	SOT23
BZX84-C15	C	0.3W zener 15V	Y4	SOT23
BZX84-C16		zener.	Y5	SOT23
BZX84-C16	C	0.3W zener 16V	Y5	SOT23
BZX84-C18		zener.	Y6	SOT23
BZX84-C18	C	0.3W zener 18V	Y6	SOT23
BZX84-C20		zener.	Y7	SOT23
BZX84-C20	C	0.3W zener 20V	Y7	SOT23
BZX84-C22		zener.	Y8	SOT23
BZX84-C22	C	0.3W zener 22V	Y8	SOT23
BZX84-C24		zener.	Y9	SOT23
BZX84-C24	C	0.3W zener 24V	Y9	SOT23
BZX84-C27		zener.	X1	SOT23
BZX84-C27		zener.	Y10	SOT23
BZX84-C27	C	0.3W zener 27V	X1	SOT23
BZX84-C27	C	0.3W zener 27V	Y10	SOT23
BZX84-C2V4		zener.	Z11	SOT23
BZX84-C2V4	C	0.3W zener 2.4V	W3	SOT23
BZX84-C2V4	C	0.3W zener 2.4V	Z11	SOT23
BZX84-C2V7		zener.	W4	SOT23
BZX84-C2V7		zener.	Z12	SOT23
BZX84-C2V7	C	0.3W zener 2.7V	W4	SOT23
BZX84-C2V7	C	0.3W zener 2.7V	Z12	SOT23
BZX84-C30		zener.	X2	SOT23
BZX84-C30		zener.	Y11	SOT23
BZX84-C30	C	0.3W zener 30V	Y11	SOT23
BZX84-C33		zener.	X3	SOT23
BZX84-C33		zener.	Y12	SOT23
BZX84-C33	C	0.3W zener 33V	Y12	SOT23
BZX84-C36		zener.	X4	SOT23
BZX84-C36		zener.	Y13	SOT23
BZX84-C36	C	0.3W zener 36V	Y13	SOT23
BZX84-C39		zener.	X5	SOT23
BZX84-C39		zener.	Y14	SOT23
BZX84-C39	C	0.3W zener 39V	Y14	SOT23
BZX84-C3V0	C	0.3W zener 3.0V	W5	SOT23

BZX84-C3V0	C	0.3W zener 3.0V	Z13	SOT23
BZX84-C3V3		zener.	W6	SOT23
BZX84-C3V3		zener.	Z14	SOT23
BZX84-C3V3	C	0.3W zener 3.3V	W6	SOT23
BZX84-C3V3	C	0.3W zener 3.3V	Z14	SOT23
BZX84-C3V6		zener.	W7	SOT23
BZX84-C3V6		zener.	Z15	SOT23
BZX84-C3V6	C	0.3W zener 3.6V	W7	SOT23
BZX84-C3V6	C	0.3W zener 3.6V	Z15	SOT23
BZX84-C3V9		zener.	W8	SOT23
BZX84-C3V9		zener.	Z16	SOT23
BZX84-C3V9	C	0.3W zener 3.9V	W8	SOT23
BZX84-C3V9	C	0.3W zener 3.9V	Z16	SOT23
BZX84-C3V0		zener.	W5	SOT23
BZX84-C3V0		zener.	Z13	SOT23
BZX84-C43		zener.	X6	SOT23
BZX84-C43		zener.	Y15	SOT23
BZX84-C43	C	0.3W zener 43V	Y15	SOT23
BZX84-C47		zener.	X7	SOT23
BZX84-C47		zener.	Y16	SOT23
BZX84-C47	C	0.3W zener 47V	Y16	SOT23
BZX84-C4V3		zener.	W9	SOT23
BZX84-C4V3		zener.	Z17	SOT23
BZX84-C4V3	C	0.3W zener 4.3V	W9	SOT23
BZX84-C4V3	C	0.3W zener 4.3V	Z17	SOT23
BZX84-C4V7		zener.	Z1	SOT23
BZX84-C4V7	C	0.3W zener 4.7V	Z1	SOT23
BZX84-C51		zener.	Y17	SOT23
BZX84-C51	C	0.3W zener 51V	Y17	SOT23
BZX84-C56		zener.	Y18	SOT23
BZX84-C56	C	0.3W zener 56V	Y18	SOT23
BZX84-C5V1		zener.	Z2	SOT23
BZX84-C5V1	C	0.3W zener 4.7V	Z2	SOT23
BZX84-C5V6		zener.	Z3	SOT23
BZX84-C5V6	C	0.3W zener 5.6V	Z3	SOT23
BZX84-C62		zener.	Y19	SOT23
BZX84-C62	C	0.3W zener 62V	Y19	SOT23
BZX84-C68		zener.	Y20	SOT23
BZX84-C68	C	0.3W zener 68V	Y20	SOT23
BZX84-C6V2		zener.	Z4	SOT23
BZX84-C6V2	C	0.3W zener 6.2V	Z4	SOT23
BZX84-C6V8		zener.	Z5	SOT23
BZX84-C6V8	C	0.3W zener 6.8V	Z5	SOT23
BZX84-C75		zener.	Y21	SOT23
BZX84-C75	C	0.3W zener 75V	Y21	SOT23
BZX84-C7V5		zener.	Z6	SOT23
BZX84-C7V5	C	0.3W zener 7.5V	Z6	SOT23
BZX84-C8V2		zener.	Z7	SOT23
BZX84-C8V2	C	0.3W zener 8.2V	Z7	SOT23
BZX84-C9V1		zener.	Z8	SOT23
BZX84-C9V1	C	0.3W zener 9.1V	Z8	SOT23
BZX99-C10	C	10V 0.3W zener	XX	SOT23
BZX99-C11	C	11V 0.3W zener	XY	SOT23
BZX99-C12	C	12V 0.3W zener	XZ	SOT23
BZX99-C13	C	13V 0.3W zener	X2	SOT23
BZX99-C15	C	15V 0.3W zener	X3	SOT23
BZX99-C2V4	C	2.4V 0.3W zener	XL	SOT23

BZX99-C2V7	C	2.7V 0.3W zener	XM	SOT23
BZX99-C3V0	C	3.0V 0.3W zener	XN	SOT23
BZX99-C3V3	C	3.3V 0.3W zener	XP	SOT23
BZX99-C3V6	C	3.6V 0.3W zener	XR	SOT23
BZX99-C3V9	C	3.9V 0.3W zener	XS	SOT23
BZX99-C4V3	C	4.3V 0.3W zener	XT	SOT23
BZX99-C4V7	C	4.7V 0.3W zener	XA	SOT23
BZX99-C5V1	C	5.1V 0.3W zener	XB	SOT23
BZX99-C5V6	C	5.6V 0.3W zener	XC	SOT23
BZX99-C6V2	C	6.2V 0.3W zener	XD	SOT23
BZX99-C6V8	C	6.8V 0.3W zener	XE	SOT23
BZX99-C7V5	C	7.5V 0.3W zener	XU	SOT23
BZX99-C8V2	C	8.2V 0.3W zener	XV	SOT23
BZX99-C9V1	C	9.1V 0.3W zener	XW	SOT23
BZY49-C30		zener.	30Y	SOT89
BZY55-C51		zener.	C51	SOD80
CF739		GaAsFET	MS	SOT143
CF739	W	dg GaAsfet 2GHz	MS	
CF750		GaAsFET	MX	SOT143
CF750	U	biased dg GaAsfet, 3-6V	MX	
CF910		MOSFET	CF1	SOT143
CF912		MOSFET	CF3	SOT143
CF922		MOSFET	CF4	SOT143
CF930		MOSFET	CF5	SOT143
CF940		MOSFET	CF6	SOT143
CFY30		GaAsFET	A2	SOT143
CFY30	CQ	n-ch GaAsfet 6 GHz	A2	SOT143
CFY35-20	DM	10GHz GaAsfet	NA	
CFY35-23	DM	10GHz GaAsfet	NB	
CFY77-08	DM	20GHz HEMT 0.8dB nf	HG	
CFY77-10	DM	20GHz HEMT 1.0 dB nf	HH	
CGY120		GaAs MMIC	Y8	MW6
CGY121A		GaAs MMIC	Y9s	MW6
CGY121B		GaAs MMIC	Y0s	
CGY50		GaAsMMIC	G2	SOT143
CGY50	IQ	GaAs MMIC amp	G2	SOT143
CGY59	DS	GaAs 0.9/1.8GHz preamp	Y5s	SOT363
CGY60	DS	GaAs preamp MMIC 1.8GHz	Y7	MW6
CGY62	DS	GaAs MMIC	Y6s	MW6
CLY2	DR	3GHz GaAsfet 0.25W 3GHz	Y2	MW6
d >BST120	T	p-ch DMOSfet 60V 0.3A	LM	
DAN202K	B	80V 100mA dual diode	N	
DAN212K	C	80V 100mA sw	AV	
DAN217	D	80V 100mA dual	BA	
DAN222	B	dual cc si diode	N9	SOT416
DAP202K	A	80V 100mA dual	P	
DAP222	A	dual ca sw diode	P9	SOT416
DTA114E	N	pnv sw 10k + 10k bias res	14	
DTA114G	N	pnv sw 50V 100mA w. b-eres	K14	
DTA114T	N	pnv sw 50V 100mA +Wypr.res	94	
DTA114YE	N	pnv with 10k +47k bias R	69	SOT416
DTA124E	N	pnv sw 30V 50mA +Wypr. res	15	
DTA124G	N	pnv sw 50V 50mA w. b-e res	K15	
DTA124G	N	pnv sw 50V 50mA w. b-e res	K25	
DTA124T	N	pnv sw 50V 100mA + Wypr.res	95	
DTA143EE	N	pnv with 4k7 +4k7 bias R	43	SOT416
DTA144E	N	pnv sw 30V 50mA +Wypr. res	16	

DTC114E	N	npn sw 50V 100mA + 10k ₂₄ biasres		
DTC114G	N	npn sw 50V 100mA w. b-eres K24		
DTC124E	N	npn sw 50V 100mA + 22k ₂₅ biasres		
DTC143E	N	pnp sw 50V 100mA + 4k7 ₂₃ biasres		
DTC144E	N	npn sw 50V 30mA + 47k ₂₆ biasres		
DTCC114T	N	50V 100mA npn sw + 10k ₀₂ Wypr.res		
FCK491		NPN	N1	SOT89
FCX2369		NPN	N4	SOT89
FCX2369A		NPN	N5	SOT89
FCX458		NPN	N58	SOT89
FCX491A		NPN	N2	SOT89
FCX495		NPN	N95	SOT89
FCX5401		PNP	P9	SOT89
FCX5550		NPN	N9	SOT89
FCX558		PNP	P58	SOT89
FCX589		PNP	P89	SOT89
FCX591		PNP	P1	SOT89
FCX591A		PNP	P2	SOT89
FCX596		PNP	P96	SOT89
FCX604		NPN	604	SOT89
FCX649		NPN	N3	SOT89
FCX653		NPN	N8	SOT89
FCX704		PNP	704	SOT89
FCX749		PNP	N6	SOT89
FCX753		PNP	P8	SOT89
FLLD258	B	low leakage dual ca Si diode	P8A	SOT23
FMM02835		dioda-2x	A9	SOT23
FMMD2836		dioda-2x	A2	SOT23
FMMD2837		dioda-2x	A5	SOT23
FMMD2838		dioda-2x	A6	SOT23
FMMD6050		dioda	5A	SOT23
FMMD6050	C	sw diode 70V 100mA	5A	SOT23
FMMD6100		dioda-2x	5B	SOT23
FMMD6100	B	cc dual diode 70V 0.2A	5B	SOT23
FMMD7000		dioda-2x	5C	SOT23
FMMD7000	D	2 ser diodes 70V 200mA	5C	SOT23
FMMD914		dioda	5D	SOT23
FMMD914	C	1N914	5D	SOT23
FMMJ111		FET	C11	SOT23
FMMJ112		FET	C12	SOT23
FMMJ113		FET	C13	SOT23
FMMJ174		FET	S74	SOT23
FMMJ175		FET	S75	SOT23
FMMJ176		FET	S76	SOT23
FMMJ177		FET	S77	SOT23
FMMJ201		FET	P01	SOT23
FMMJ202		FET	P02	SOT23
FMMJ203		FET	P03	SOT23
FMMJ204		FET	P04	SOT23
FMMJ4391		FET	C91	SOT23
FMMJ4392		FET	C92	SOT23
FMMJ4393		FET	C93	SOT23

FMMJ5484		FET	H84	SOT23
FMMJ5485		FET	H85	SOT23
FMMJ5486		FET	H86	SOT23
FMMT2222		NPN	1B	SOT23
FMMT2222	N	2N2222	1B	SOT23
FMMT2222A		NPN	1P	SOT23
FMMT2222A	N	2N2222A	1P	
FMMT2222R		NPN	2P	SOT23
FMMT2222R	R	2N2222	2P	
FMMT2222RA		NPN	3P	SOT23
FMMT2369		NPN	U	SOT23
FMMT2369	N	2N2369	1J	
FMMT2369A		NPN	P5	SOT23
FMMT2369A	N	2N2369A	P5	
FMMT2369R		NPN	9R	SOT23
FMMT2369RA		NPN	9A	SOT23
FMMT2484		NPN	4G	SOT23
FMMT2907		PNP	2B	SOT23
FMMT2907	N	2N2907	2B	
FMMT2907A		PNP	2F	SOT23
FMMT2907A	N	2N2907A	2F	SOT23
FMMT2907AR	R	2N2907A	5P	
FMMT2907R		PNP	4P	SOT23
FMMT2907RA		PNP	5P	SOT23
FMMT38A		NPN	4J	SOT23
FMMT38A	N	BCX38A	4J	
FMMT38B		NPN	5J	SOT23
FMMT38B	N	BCX38B	5J	
FMMT38C		NPN	7J	SOT23
FMMT38C	N	BCX38C	7J	SOT23
FMMT3903		NPN	1W	SOT23
FMMT3903	N	2N3903	1W	
FMMT3904		NPN	1A	SOT23
FMMT3904	N	2N3904	1A	SOT23
FMMT3905		PNP	2W	SOT23
FMMT3905	N	2N3905	2W	
FMMT3906		PNP	2A	SOT23
FMMT3906	N	2N3906	2A	SOT23
FMMT4123		NPN	ZB	SOT23
FMMT4123	N	2N4123	ZB	SOT23
FMMT4124		NPN	ZC	SOT23
FMMT4124	N	2N4124	ZC	SOT23
FMMT4125		PNP	ZD	SOT23
FMMT4125	N	2N4125	ZD	SOT23
FMMT4126		PNP	ZE	SOT23
FMMT4126	N	2N4126	ZE	SOT23
FMMT415		NPN	415	SOT23
FMMT417		NPN	417	SOT23
FMMT4400		NPN	1K	SOT23
FMMT4400	N	2N4400	1K	
FMMT4401		NPN	1L	SOT23
FMMT4401	N	2N4401	1L	
FMMT4402		PNP	2K	SOT23
FMMT4402	N	2N4402	2K	
FMMT4403		PNP	2L	SOT23
FMMT4403	N	2N4403	2L	
FMMT449		NPN	449	SOT23

FMMT451		NPN	451	SOT23
FMMT455		NPN	455	SOT23
FMMT458		NPN	458	SOT23
FMMT458	N	npn 400V 0.4A	458	SOT23
FMMT489		NPN	489	SOT23
FMMT491		NPN	491	SOT23
FMMT491	N	ZTX 450/451	491	SOT23
FMMT491A		NPN	41A	SOT23
FMMT491A	N	npn 40v 1A max	41A	SOT23
FMMT493		NPN	493	SOT23
FMMT493	N	ZTX 453	493	SOT23
FMMT494		NPN	494	SOT23
FMMT495		NPN	495	SOT23
FMMT497		NPN	497	SOT23
FMMT5087		PNP	2M	SOT23
FMMT5087	N	2N5087	2M	
FMMT5087R		PNP	3M	SOT23
FMMT5088		NPN	1Q	SOT23
FMMT5089		NPN	1R	SOT23
FMMT5179		NPN	179	SOT23
FMMT5179	N	2N5179	179	
FMMT5209		NPN	2Q	SOT23
FMMT5210		NPN	2R	SOT23
FMMT5400		PNP	1L	SOT23
FMMT5401		PNP	2L	SOT23
FMMT549		PNP	549	SOT23
FMMT549A		PNP	59A	SOT23
FMMT551		PNP	551	SOT23
FMMT555		PNP	555	SOT23
FMMT5550		NPN	1F	SOT23
FMMT5551		NPN	G1	SOT23
FMMT558		PNP	558	SOT23
FMMT558	N	pnv 400V 0.15A	558	SOT23
FMMT576		PNP	576	SOT23
FMMT589		PNP	589	SOT23
FMMT589	N	pnv 30V 1A	589	SOT23
FMMT591		PNP	591	SOT23
FMMT591	N	ZTX550/551	591	SOT23
FMMT591A		PNP	91A	SOT23
FMMT591A	N	pnv 40V 1A 0.5W fT 150 MHz	91A	SOT23
FMMT593		PNP	593	SOT23
FMMT593	N	ZTX 553	593	SOT23
FMMT596		PNP	596	SOT23
FMMT597		PNP	597	SOT23
FMMT614		NPN	614	SOT23
FMMT617		NPN	617	SOT23
FMMT617	N	npn sw 15V 3A	617	SOT23
FMMT617	N	npn sw 50V 2A	619	SOT23
FMMT618		NPN	618	SOT23
FMMT618	N	npn sw 20V 2.5A	618	SOT23
FMMT619		NPN	619	SOT23
FMMT624		NPN	624	SOT23
FMMT625		NPN	625	SOT23
FMMT634	N	100V 0.9A darlington npn	634	SOT23
FMMT6517		NPN	517	SOT23
FMMT6520		PNP	520	SOT23
FMMT717		PNP	717	SOT23

FMMT717	N	pnp sw 0.625W 2.5A 12V	717	SOT23
FMMT718		PNP	718	SOT23
FMMT718	N	pnp sw 0.625W 1.5A 20V	718	SOT23
FMMT720		PNP	720	SOT23
FMMT720	N	pnp sw 0.625W 1.5A	720	SOT23
FMMT722		PNP	722	SOT23
FMMT723		PNP	723	SOT23
FMMT918		NPN	3B	SOT23
FMMT-A05		NPN	1H	SOT23
FMMT-A05	N	MPSA05	1H	
FMMT-A05R		NPN	NA	SOT23
FMMT-A06		NPN	1G	SOT23
FMMT-A06	N	MPSA06	1G	
FMMT-A06R		NPN	MA	SOT23
FMMT-A12		NPN	3W	SOT23
FMMT-A13		NPN	1M	SOT23
FMMT-A13	N	MPSA13	1M	SOT23
FMMT-A14		NPN	1N	SOT23
FMMT-A14	N	MPSA14	1N	SOT23
FMMT-A20		NPN	1C	SOT23
FMMT-A20	N	MPSA20	1C	SOT23
FMMT-A20R		NPN	3C	SOT23
FMMT-A42		NPN	3E	SOT23
FMMT-A42R		NPN	7E	SOT23
FMMT-A42R	R	MPSA42	7E	
FMMT-A43		NPN	1E	SOT23
FMMT-A43	N	MPSA43	1E	
FMMT-A43R		NPN	5E	SOT23
FMMT-A43R	R	MPSA43	5E	SOT23R
FMMT-A55		PNP	2H	SOT23
FMMT-A55	N	MPSA55	2H	
FMMT-A55R		PNP	NB	SOT23
FMMT-A56		PNP	2G	SOT23
FMMT-A56	N	MPSA56	2G	SOT23
FMMT-A56R		PNP	MB	SOT23
FMMT-A63		PNP	2U	SOT23
FMMT-A64		PNP	2V	SOT23
FMMT-A70		PNP	2C	SOT23
FMMT-A92		PNP	4E	SOT23
FMMT-A92	N	MPSA92	4E	SOT23
FMMT-A92R		PNP	8E	SOT23
FMMT-A92R	R	MPSA92	8E	SOT23R
FMMT-A93		PNP	2E	SOT23
FMMT-A93	N	MPSA93	2E	SOT23
FMMT-A93R		PNP	6E	SOT23
FMMT-A93R	R	MPSA93	6E	SOT23R
FMMT-H10		PNP	3EZ	SOT23
FMMV105G		VCAPdioda	4E	SOT23
FMMV109		VCAPdioda	4A	SOT23
FMMV2101		VCAPdioda	6R	SOT23
FMMV2102		VCAPdioda	6F	SOT23
FMMV2104		VCAPdioda	6H	SOT23
FMMV2105		VCAPdioda	6J	SOT23
FMMV2106		VCAPdioda	6K	SOT23
FMMV2107		VCAPdioda	6L	SOT23
FMMV2108		VCAPdioda	6M	SOT23
FMMV2109		VCAPdioda	6N	SOT23

FMMV3102		VCAPdioda	4C	SOT23
FMMY2103		VCAPdioda	6G	SOT23
FMMZ5232		zener.	8G	SOT23
FMMZ5233		zener.	8H	SOT23
FMMZ5234		zener.	8J	SOT23
FMMZ5235		zener.	8K	SOT23
FMMZ5236		zener.	8L	SOT23
FMMZ5237		zener.	8M	SOT23
FMMZ5238		zener.	8N	SOT23
FMMZ5239		zener.	8P	SOT23
FMMZ5240		zener.	8Q	SOT23
FMMZ5241		zener.	8R	SOT23
FMMZ5242		zener.	8S	SOT23
FMMZ5243		zener.	8T	SOT23
FMMZ5244		zener.	8U	SOT23
FMMZ5245		zener.	8V	SOT23
FMMZ5246		zener.	8W	SOT23
FMMZ5247		zener.	8X	SOT23
FMMZ5248		zener.	8Y	SOT23
FMMZ5249		zener.	8Z	SOT23
FMMZ5250		zener.	81A	SOT23
FMMZ5251		zener.	81B	SOT23
FMMZ5252		zener.	81C	SOT23
FMMZ5253		zener.	81D	SOT23
FMMZ5254		zener.	81E	SOT23
FMMZ5255		zener.	81F	SOT23
FMMZ5256		zener.	81G	SOT23
FMMZ5257		zener.	81H	SOT23
HD2A		dioda-2x	5D	SOT23
HD2A	B	dual cc HD2 75V 100mA	5D	
HD3A		dioda	4D	SOT23
HD3A	C	75V 100mA sw diode	4A	
HD3A	C	sw diode 75V 100mA	4D	
HD4A		dioda-2x	7D	SOT23
HD4A	A	ca dual HD3A	7D	
HSMP-3800	C	HP3800 pin atten diode	D0	SOT23
HSMP-3801	K	HP3800 pin atten diode	D1	
HSMP-3802	D	dual HP3800 pin atten diode	D2	
HSMP-3810	C	HP3810 pin atten diode	E0	SOT23
HSMP-3811	K	HP3810 pin atten diode	E1	SOT23
HSMP-3812	D	dual series HP3810 pin attendiode	E2	SOT23
HSMP-3813	A	dual HP3810 pin atten diode	E3	SOT23
HSMP-3814	B	dual cc HP3810 pin attendiode	E4	SOT23
HSMP-381B	C	HP3810 pin atten diode	E0	SOT323
HSMP-3820	C	35V RF pin sw diode	F0	SOT23
HSMP-3821	K	35V RF pin sw diode	F1	SOT23
HSMP-3822	D	dual series HP3820 pin swdiode	F2	SOT23
HSMP-3824	B	dual cc HP3820 pin sw diode	F4	SOT23
HSMP-3830	C	gp pin diode HP3830	K0	SOT23
HSMP-3831	K	gp pin diode HP3830	K1	SOT23
HSMP-3832	D	dual HP3830 pin diode	K2	SOT23
HSMP-3833	A	dual HP3830 pin diode	K3	SOT23
HSMP-3834	B	dual HP3830 pin diode	K4	SOT23
HSMP-3860	C	dual series pin diode	L0	SOT23
HSMP-3862	D	dual RF pin diode	L2	SOT23
HSMP-3863	A	ca gp RF pin diode	L3	SOT23

HSMP-3864	B	cc gp RF pin diode	L4	SOT23
HSMP-386B	C	gp RF pin diode	L0	SOT323
HSMP-3880	C	pin sw diode	S0	SOT23
HSMP-3881	K	pin sw diode	S1	SOT23
HSMP-3890	C	HP3890 pin sw diode	G0	SOT23
HSMP-3891	K	HP3890 pin sw diode	G1t	SOT23
HSMP-3892	D	dual ser HP3890 pin sw diode	G2	SOT23
HSMP-3893	A	dual HP3890 pin sw diode	G3	SOT23
HSMP-3894	B	dual HP3890 pin sw diode	G4	SOT23
HSMP-3895	S	dual HP3890 pin sw diode	G5	SOT143
HSMP-389B	C	HP3890 pin sw diode	G0	SOT323
HSMP-4810	J	0.5-3GHz pin 2 cathode connections	EB	SOT23
HSMP-4820	B	0.5-3GHz cc pin dual anode	FA	SOT23
HSMP-4890	B	0.5-3GHz dual cc pin limiter	GA	SOT23
HSMS-2800	C	HP2800 schottky	A0	SOT23
HSMS-2801	K	HP2800 schottky	A1	
HSMS-2802	D	dual HP2800	A2	SOT23
HSMS-2803	D	HP2800 ser pair	A3	SOT23
HSMS-2804	B	dual cc HP2800 schottky	A4	SOT23
HSMS-2805	S	dual HP2800 schottky	A5	SOT143
HSMS-2807	RQ	HP2800 ring quad	A7	SOT143
HSMS-2808	BQ	HP2800 bridge quad	A8	SOT143
HSMS-280B	C	HP2800 schottky	A0	SOT323
HSMS-280C	D	dual HP2800	A2	SOT323
HSMS-2810	C	HP2810 schottky	B0	SOT23
HSMS-2811	K	HP2811 schottky	B1	SOT23
HSMS-2812	D	dual HP2810 schottky	B2	SOT23
HSMS-2813	A	dual ca HP2810 schottky	B3	SOT23
HSMS-2814	B	dual cc HP2810 schottky	B4	SOT23
HSMS-2815	S	dual HP2810 schottky	B5	SOT143
HSMS-2817	RQ	HP2810 ring quad	B7	SOT143
HSMS-2818	BQ	HP2810 bridge quad	B8	SOT143
HSMS-281B	C	HP2810 schottky	B0	SOT323
HSMS-281C	D	dual HP2810 schottky	B2	SOT323
HSMS-2820	C	HP2835 schottky	C0	SOT23
HSMS-2821	K	HP2835 schottky	C1	SOT23
HSMS-2822	D	dual HP2835 schottky	C2	SOT23
HSMS-2823	A	dual HP2835 schottky	C3	SOT23
HSMS-2824	B	dual HP2835 schottky	C4	SOT23
HSMS-2825	S	dual HP2835 schottky	C5	SOT143
HSMS-2827	RQ	HP2835 ring quad	C7	SOT143
HSMS-2828	BQ	HP2835 bridge quad	C8	SOT143
HSMS-282B	C	HP2835 schottky	C0	SOT323
HSMS-282C	D	dual HP2835 schottky	C2	SOT323
HSMS-2840	C	schottky diode	J0	SOT23
HSMS-2841	K	schottky diode	J1	SOT23
HSMS-2850	C	zero-bias schottky diodeuW det	P0	SOT23
HSMS-285B	C	zero-bias schottky diodeuW det	P0	SOT323
HSMS-2860	C	zero bias schottky diode	T0	SOT23
HSMS-2862	D	dual series HSMS-286B	T2	SOT23
HSMS-2863	A	ca dual HSMS-286B	T3	SOT23
HSMS-2864	B	cc dual HSMS-286B	T4	SOT23
HSMS-2865	S	separate dual HSMS-286B	T5	SOT143
HSMS-286B	C	zero bias schottky diode	T0	SOT323
HSMS-286C	D	dual series HSMS-286B	T2	SOT323
HSMS-286E	A	ca dual HSMS-286B	T3	SOT323

HSMS-286F	B	cc dual HSMS-286B	T4	SOT323
HSMS-8101	K	10-14GHz schottky mixer	R1	SOT23
HSMS-8102	Z	10-14GHz schottky mixerpair	2R	SOT23
HSMS-8205	S	separate pair HSMS-8101	R5	SOT143
HSMS-8207	RQ	HSMS-8101 ring quad mixer	R7	SOT145
HSMSM-2852	D	dual series HSMS-285B	P2	SOT23
HSMSM-2855	S	separate pair HSMS-2850	P5	SOT143
HSMSM-285C	D	dual series HSMS-285B	P2	SOT323
HT2		PNP	2T	SOT23
HT2	N	pnp 80V 100mA	2T	
HT3		NPN	3T	SOT23
IMT1A	DA	2 x 2SA1037AK pnp	T1	
IMT2A	DB	2 x 2SA1037AK pnp	T2	
IMX1	DC	dual 2SC2412K npn	X1	
IMX2	DD	dual 2SC2412K npn	X2	
IMZ1A	DE	2SC2414 npn,2SA1037AK pnp	Z1	
IMZ2A	DF	2SC2414 npn,2SA1037AK pnp	Z2	
IRLML2402	F	n-ch mosfet 20V 0.9A	1A	SOT23
IRLML2803	F	n-ch mosfet 30V 0.9A	1B	SOT23
IRLML5103	F	p-ch mosfet 30V 0.6A	1D	SOT23
IRLML6302	F	p-ch mosfet 20V 0.6A	1C	SOT23
KSA1182		PNP	F1X	SOT23
KSA1298		PNP	J1X	SOT23
KSA812		PNP	D1X	SOT23
KSC1623		NPN	C1X	SOT23
KSC2859		NPN	E1X	SOT23
KSC3265		NPN	K1X	SOT23
KSX13		HALLEFFECT	S13	SOT143
KTY13A		TEMP.SENSE	TA	SOT23
KTY13B		TEMP.SENSE	TB	SOT23
KTY13C		TEMP.SENSE	TC	SOT23
KTY13D		TEMP.SENSE	TD	SOT23
KTY82-110		TEMPSENSE	110	SOT23
KTY82-120		TEMPSENSE	120	SOT23
KTY82-121		TEMPSENSE	121	SOT23
KTY82-122		TEMPSENSE	122	SOT23
KTY82-150		TEMPSENSE	150	SOT23
KTY82-151		TEMPSENSE	151	SOT23
KTY82-152		TEMPSENSE	152	SOT23
KTY82-210		TEMPSENSE	210	SOT23
KTY82-220		TEMPSENSE	220	SOT23
KTY82-221		TEMPSENSE	221	SOT23
KTY82-222		TEMPSENSE	222	SOT23
KTY82-250		TEMPSENSE	250	SOT23
KTY82-251		TEMPSENSE	251	SOT23
KTY82-252		TEMPSENSE	252	SOT23
KV1181E	I	uhf varicap 2-16pF	G	URD
KV1831E	I	uhf varicap 2,5-22pf	F	URD
KV1832E	I	uhf varicap 4-17pf i	C	URD
KV1841E	I	uhf varicap 7-15pF	P	URD
M1MA141		dioda	MH	SOT323
M1MA141KT	C	40V 100mA sw diode	MH	SOT323
M1MA141WA		dioda-2x	MN	SOT323
M1MA141WA	A	d diode ca 40V 100mA	MN	SOT323
M1MA141WK		dioda-2x	MT	SOT323
M1MA141WK	B	dual diode cc 40V 100mA	MT	SOT323
M1MA142		dioda	MI	SOT323

M1MA142KT	C	80V 100mA sw diode	MI	SOT323
M1MA142W	A	d diode ca 80V 100mA	MO	SOT323
M1MA142WA		dioda-2x	MO	SOT323
M1MA142WK		dioda-2x	MU	SOT323
M1MA142WK	B	dual diode cc 80V 100mA	MU	SOT323
M1MA151A		dioda	MA	SC59
M1MA151AT	E	40V 100mA sw diode	MA	SOT346
M1MA151K		dioda	MH	SC59
M1MA151KT	C	40V 100mA sw diode	MH	SOT346
M1MA151WA		dioda-2x	MN	SC59
M1MA151WA	A	d diode ca 40V 100mA	MN	SOT346
M1MA151WK		dioda-2x	MT	SC59
M1MA151WK	B	dual diode cc 40V 100mA	MT	SOT346
M1MA152AT	E	80V 100mA sw diode	MA	SOT346
M1MA152KT	C	80V 100mA sw diode	MI	SOT346
M1MA152W	A	d diode ca 80V 100mA	MO	SOT346
M1MA152WK	B	dual diode cc 80V 100mA	MU	SOT346
M1MA174	C	gp Si diode 100V	J6	
MBAV70	B	ditto	A4X	
MBAW56	A	ditto	A1X	
MBD110DW	DL	dual UHF schottky	M4	SOT363
MBD330DW	DL	dual UHF schottky diode	T4	SOT363
MBD54DW	DL	2x schottky detector diodes	BL	SOT363
MBD770DW	DL	Dual UHF schottky diode	H5	
MBT3904DW1	DN	dual 2N3904	MA	SOT363
MBT3904DW9		dual 2N3904	MB	
MBT3906DW	N	dual 2N3906	A3	SOT363
MBT3906DW1	DO	dual 2N3906	A2	SOT363
MBT3946DW	DP	2N3904/2N3906 pair	46	
MBV109	C	29pF VHF varicap diode	J4A	SOT23
MGSF1N02L	M	n-ch TMOS FET	NZ	
MGSF1N03L	M	n-ch TMOS mosfet 30V 0.75A	N3	SOT23
MGSF1P02L	M	p ch enh tmosfet	PC	SOT23
MMBA811C5		PNP	C5	SOT23
MMBA811C5	N	2N5086 pnp hfe 135-270	C5	
MMBA811C6		PNP	C6	SOT23
MMBA811C6	N	2N5086 pnp hfe 200-400	C6	
MMBA811C7		PNP	C7	SOT23
MMBA811C7	N	2N5086 pnp hfe 300-600	C7	
MMBA811C8		PNP	C8	SOT23
MMBA811C8	N	2N5086 pnp hfe 450-900	C8	
MMBA812M3		PNP	M3	SOT23
MMBA812M3	N	2N5086 hfe 60-120 pnp	M3	
MMBA812M4		PNP	M4	SOT23
MMBA812M5		PNP	M5	SOT23
MMBA812M5	N	2N5086 hfe 135-270 pnp	M5	
MMBA812M6		PNP	M6	SOT23
MMBA812M6	N	2N5086 hfe 200-400 pnp	M6	
MMBA812M7		PNP	M7	SOT23
MMBA812M7	N	2N5086 hfe 300-600 pnp	M7	
MMBA813S2		PNP	S2	SOT23
MMBA813S3		PNP	S3	SOT23
MMBA813S4		PNP	S4	SOT23
MMBC1009F1		NPN	F1	SOT23
MMBC1009F1	N	RF npn fT 150MHz hfe30-60	F1	
MMBC1009F2		NPN	F2	SOT23
MMBC1009F3		NPN	F3	SOT23

MMBC1009F3	N	RF npn fT150MHz hfe60-120	F3	
MMBC1009F4		NPN	F4	SOT23
MMBC1009F5		NPN	F5	SOT23
MMBC1321Q2		NPN	Q2	SOT23
MMBC1321Q3		NPN	Q3	SOT23
MMBC1321Q3	N	nnp VHF amp fT 0.6GHz	Q3	
MMBC1321Q4		NPN	Q4	SOT23
MMBC1321Q4	N	nnp VHF amp fT 0.6GHz	Q4	
MMBC1321Q5		NPN	Q5	SOT23
MMBC1321Q5	N	nnp VHF amp fT 0.6GHz	Q5	
MMBC1621B2		NPN	B2	SOT23
MMBC1621B3		NPN	B3	SOT23
MMBC1621B4		NPN	B4	SOT23
MMBC1622D6		NPN	D6	SOT23
MMBC1622D7		NPN	D7	SOT23
MMBC1622D8		NPN	D8	SOT23
MMBC1623L3		NPN	L3	SOT23
MMBC1623L3	N	nnp 40V gp	L3	
MMBC1623L4		NPN	L4	SOT23
MMBC1623L4	N	nnp 40V gp	L4	
MMBC1623L5		NPN	L5	SOT23
MMBC1623L5	N	MPS3904 hfe 135-270	L5	
MMBC1623L6		NPN	L6	SOT23
MMBC1623L6	N	MPS3904 hfe 200-400	L6	
MMBC1623L7		NPN	L7	SOT23
MMBC1623L7	N	MPS3904 hfe 300-600	L7	
MMBC1653N2		NPN	N2	SOT23
MMBC1653N2	N	nnp 130V 50mA hfe 50-130	N2	
MMBC1653N3		NPN	N3	SOT23
MMBC1653N3	N	nnp 130V 50mA hfe 100-220	N3	
MMBC1653N4		NPN	N4	SOT23
MMBC1653N4	N	nnp 130V 50mA hfe 150-330	N4	
MMBC1653N6	N	nnp 160V 50mA hfe 100-220	N6	
MMBC1653N7	N	nnp 160V 50mA hfe 150-330	N7	
MMBC1654N5		NPN	N5	SOT23
MMBC1654N5	N	nnp 160V 50mA hfe 50-130	N5	
MMBC1654N6		NPN	N6	SOT23
MMBC1654N7		NPN	N7	SOT23
MMBD1000	C	>Si sw diode 30V 0.2A	AY	SOT23
MMBD1005	A	dual ca Si diode low leakage	A3	SOT23
MMBD101		HOTCAR.dioda	4M	SOT23
MMBD101	C	MBD101 schottky diode	4M	
MMBD1010	B	dual cc Si diodes	A5	SOT23
MMBD1401	C	Si diode 200V 100mA	29	
MMBD1501A	C	180V 200mA diode	A11	SOT23
MMBD1501A	C	Si diode 200V 100mA	11A	
MMBD1502A	K	Si diode 200V 100mA	12A	
MMBD1503A	D	180V 200mA dual diode series	A13	SOT23
MMBD1503A	D	dual Si diode 200V 100mA	13A	
MMBD1504A	B	180V 200mA dual diode cc	A14	SOT23
MMBD1504A	B	dual cc Si diode 200V 100mA	14A	
MMBD1505A	A	180V 200mA dual diode ca	A15	SOT23
MMBD1505A	A	dual ca Si diode 200V 100mA	15A	
MMBD1701	C	Fast Si diode 30V 50mA	85	
MMBD1702	K	Fast Si diode 30V 50mA	86	
MMBD1703	D	dual ser MMBD1701	87	
MMBD1704	B	dual cc MMBD1701	88	

MMBD1705	A	dual ca MMBD1701	89	
MMBD201		HOTCAR.dioda	4S	SOT23
MMBD201	C	MBD201	4S	
MMBD2101	C	Si diode 100V 200mA	24	
MMBD2102	K	Si diode 100V 200mA	25	
MMBD2103	D	dual MMBD1201	26	
MMBD2104	B	dual cc MMBD1201	27	
MMBD2105	A	dual ca MMBD1201	28	
MMBD2835		dioda-2x	A3	SOT23
MMBD2835	A	dual ca sw 35V 100mA 15nS	A3X	SOT23
MMBD2836		dioda-2x	A2	SOT23
MMBD2836	A	dual ca sw 75V 100mA 15ns	A2X	SOT23
MMBD2836	A	dual ca sw diode 75V	A2	SOT23
MMBD2836	B	dual sw diode cc 75V	A6	SOT23
MMBD2837		dioda-2x	A5	SOT23
MMBD2837	B	dual cc diodes 30V 150mA	A5	SOT23
MMBD2838		dioda-2x	A6	SOT23
MMBD2838	B	dual sw 50V 100mA	A6X	SOT23
MMBD3000	C	Si diode 30V 0.2A	XP	SOT346
MMBD3005	A	dual ca MMBD3000	XQ	SOT346
MMBD301		HOTCAR.dioda	4T	SOT23
MMBD301	C	MBD301 UHF schottky diode	4T	SOT23
MMBD3010	B	dual cc MMBD3000	XS	SOT346
MMBD352		H/Cdioda-2x	5G	SOT23
MMBD352W	Z	2x MBD101 in series	M5	SOT323
MMBD353		H/Cdioda-2x	4F	SOT23
MMBD353	D	dual MBD101 in series	M4F	SOT23
MMBD353	D	dual series MBD101	5G	
MMBD353	Z	dual MBD101	4F	SOT23
MMBD354		H/Cdioda-2x	6H	SOT23
MMBD354	A	dual MBD101 cc	M6H	SOT23
MMBD4148	C	1N4148	5H	SOT23
MMBD452L	D	series UHF schottky diodes	5N	SOT23
MMBD501		HOTCAR.dioda	5F	SOT23
MMBD501	C	MBD501 hot carrier diode	5F	SOT23
MMBD6050		dioda	5A	SOT23
MMBD6050	C	sw diode 70V 0.2A	5A	SOT23
MMBD6100		dioda-2x	5B	SOT23
MMBD6100	B	cc dual diode 70V 0.2A	5B	SOT23
MMBD6100	B	cc dual diode 70V 0.2A	5BM	SOT23
MMBD7000		dioda	5C	SOT23
MMBD7000	D	100V 2x series sw diodes	M5C	SOT23
MMBD7000	D	2 ser diodes 100V 0.2A	5C	SOT23
MMBD701		HOTCAR.dioda	5H	SOT23
MMBD701	C	MBD701 UHF schottky diode	5H	SOT23
MMBD717L	A	dual ca schottky	B3	SOT323
MMBD914		dioda	5D	SOT23
MMBD914	C	1N914	5D	SOT23
MMBF112		FET	TV	SOT23
MMBF112L	F	RF jfet	TV	SOT23
MMBF170		FET	6Z	SOT23
MMBF170	M	tmosfet n-ch Vds 60V	6Z	SOT23
MMBF201N	M	n-ch tmosfet 20V 0.3A Id	N1	SOT23
MMBF2202P	M	p-ch TMOSfet 0.3A 20V	P3	SOT23
MMBF4091	F	n-ch jfet sw/chopper	61J	
MMBF4092	F	n-ch jfet sw/chopper	61K	
MMBF4093	F	n-ch jfet sw/chopper	61L	

MMBF4117	F	n-ch jfet ultra low i/pIg	61A	
MMBF4118	F	n-ch jfet ultra low i/pIg	61C	
MMBF4119	F	n-ch jfet ultra low i/pIg	61A	
MMBF4391		FET	6J	SOT23
MMBF4391	F	n-ch jfet 2N4391	6J	SOT23
MMBF4392		FET	6K	SOT23
MMBF4393		FET	6G	SOT23
MMBF4393	F	n-ch jfet 2N4393	6G	SOT23
MMBF4416		FET	6A	SOT23
MMBF4416	F	2N4416 n-ch rf jfet	M6A	SOT23
MMBF4416	F	2N4416 n-ch vhf jfet	6A	SOT23
MMBF4856		FET	AAA	SOT23
MMBF4856	F	2N4856 n-ch chopper jfet	AAA	SOT23
MMBF4859	F	n-ch jfet sw/chopper	61M	
MMBF4860		FET	6F	SOT23
MMBF4860	F	2N4860 n-ch jfet	6F	SOT23
MMBF4861	F	n-ch jfet sw/chopper	6N	SOT23
MMBF4932	F	n-ch jfet 2N4932	6K	SOT23
MMBF5115	F	p-ch jfet sw/chopper	61P	
MMBF5457		FET	6D	SOT23
MMBF5457	F	2N5457 n-ch jfet	6D	SOT23
MMBF5458	F	n-ch jfet gp 2N5458	61S	
MMBF5459		FET	6L	SOT23
MMBF5459	F	n-ch jfet 2N5459	6L	SOT23
MMBF5459	F	n-ch jfet gp 2N5459	61T	
MMBF5460		FET	6E	SOT23
MMBF5460	F	2N5460 n-ch rf jfet	M6E	SOT23
MMBF5460	F	p-ch jfet 2N5460	6E	SOT23
MMBF5461	F	p-ch jfet gp 2N5461	61U	
MMBF5462	F	p-ch jfet gp 2N5462	61V	
MMBF5484		FET	6B	SOT23
MMBF5484	F	2N5484 n-ch rf jfet	M6B	SOT23
MMBF5484	F	n-ch jfet 2N5484	6B	SOT23
MMBF5485	F	n-ch jfet vhf 2N5485	6M	SOT23
MMBF5486		FET	6H	SOT23
MMBF5486	F	n-ch jfet 2N5486	6H	SOT23
MMBF5514	F	p-ch jfet sw/chopper	61N	
MMBF5516	F	p-ch jfet sw/chopper	61Q	
MMBFJ111	F	J111 n-ch jfet	6P	
MMBFJ112	F	J112 n-ch jfet	6R	
MMBFJ113	F	J113 n-ch jfet	6P	
MMBFJ174	F	J174 p-ch jfet sw/chopper	6V	
MMBFJ175		FET	6W	SOT23
MMBFJ175	F	J175 p-ch jfet	6W	SOT23
MMBFJ176	F	J176 p-ch jfet sw/chopper	6X	
MMBFJ177		FET	6Y	SOT23
MMBFJ177	F	J177 p-ch jfet	6Y	SOT23
MMBFJ201	F	n-ch jfet gp J201	62P	
MMBFJ202	F	n-ch jfet gp J202	62Q	
MMBFJ203	F	n-ch jfet gp J203	62R	
MMBFJ270	F	p-ch jfet gp J270	62S	
MMBFJ271	F	p-ch jfet gp J271	62T	
MMBFJ304	F	n-ch jfet vhf J304	63Q	
MMBFJ305	F	n-ch jfet vhf J305	6Q	
MMBFJ309		FET	6U	SOT23
MMBFJ309	F	uhf n-ch jfet J309	6U	SOT23
MMBFJ310		FET	6T	SOT23

MMBFJ310	F	uhf n-ch jfet J310	6T	SOT23
MMBFU310		FET	6C	SOT23
MMBFU310	F	n-ch jfet U310	6C	SOT23
MMBFU310	F	U310 n-ch rf jfet	M6C	SOT23
MMBP6027		PNP	5W	SOT23
MMBP6028		PNP	5V	SOT23
MMBPU131		PNP	5Z	SOT23
MMBR2060		NPN	7E	SOT23
MMBR2060	N	npn RF FT 1GHz Vce 30V 50mA	7E	
MMBR2857		NPN	7K	SOT23
MMBR2857	N	npn RF FT 1GHz Vce 15V 40mA	7K	
MMBR4957		PNP	7F	SOT23
MMBR4957	N	npn RF FT 1.2GHz 30V 30mA	7F	
MMBR5031		NPN	7G	SOT23
MMBR5031	N	npn RF FT 1GHz 10V 20mA	7G	
MMBR5179		NPN	7H	SOT23
MMBR5179	N	npn RF 2N5179/BFY90	7H	
MMBR521L	N	pnp RF MRF521	7M	SOT23
MMBR536		PNP	7R	SOT23
MMBR536	N	npn RF MRF536	7R	
MMBR571		NPN	7X	SOT23
MMBR571L	N	npn RF FT 8GHz MRF571	7X	
MMBR901		NPN	7A	SOT23
MMBR901	N	npn RF MRF901	7A	
MMBR911		NPN	7P	SOT23
MMBR911L	N	npn RF FT 6GHz MRF911	7P	
MMBR920		NPN	7B	SOT23
MMBR920	N	npn RF ?MRF920	7B	
MMBR930		NPN	7C	SOT23
MMBR930	N	npn RF ?MRF930	7C	
MMBR931		NPN	7D	SOT23
MMBR931	N	npn RF ?MRF931	7D	
MMBR941BL	N	npn RF FT 8GHz MRF941	7N	
MMBR941L	N	npn RF FT 8GHz MRF941	7Y	
MMBR951AL	N	npn RF 8GHz	AAG	
MMBR951L	N	npn RF FT7.5GHz MRF951	7Z	
MMBS5060		SCR	5R	SOT23
MMBS5061		SCR	5S	SOT23
MMBS5062		SCR	5T	SOT23
MMBT100	N	npn gp sw 500mA	N1	
MMBT1010	N	pnp 15V hfe 300-600 @100mA	GLP	SOT23
MMBT1010	N	pnp 15V hfe 300-600 @100mA	GLP	SOT346
MMBT200	N	pnp gp sw 500mA	N2	
MMBT2222		NPN	1B	SOT23
MMBT2222	N	2N2222	1B	
MMBT2222A		NPN	1P	SOT23
MMBT2222A	N	2N2222A	1P	
MMBT2222L	N	2N2222	M1B	
MMBT2369		NPN	U	SOT23
MMBT2369	N	MPS2369	1J	
MMBT2369A		NPN	UA	SOT23
MMBT2369A	N	2N2369A 500MHz sw npn	1S	
MMBT2369A	N	MPS2369A	1JA	
MMBT2369L	N	2N2369A	M1J	
MMBT2484		NPN	1U	SOT23
MMBT2484L	N	MPSA18	1U	
MMBT2907		PNP	2B	SOT23

MMBT2907	N	MPS2907	2B	SOT23
MMBT2907A		PNP	2F	SOT23
MMBT2907A	N	MPS2907A	2F	SOT23
MMBT2907AW	N	MPS2907A	2F	SOT323
MMBT2907L	N	2N2907 pnp gp	M2B	SOT23
MMBT3638		PNP	AM	SOT23
MMBT3638A		PNP	BN	SOT23
MMBT3640		PNP	2J	SOT23
MMBT3640	N	MPS3640 pnp sw	2J	SOT23
MMBT3646	N	nnp sw 350MHz 2N3646	23	
MMBT3903		NPN	1Y	SOT23
MMBT3903	N	2N3903	1Y	
MMBT3904		NPN	1A	SOT23
MMBT3904	N	2N3904	1A	SOT23
MMBT3904L	N	2N3904	1AM	SOT23
MMBT3904W	N	2N3904	AM	SOT323
MMBT3906		PNP	2A	SOT23
MMBT3906L	N	2N3906	2A	SOT23
MMBT3906W	N	2N3906	2A	SOT323
MMBT3960		NPN	15	SOT23
MMBT3960	N	2N3960	15	
MMBT3960A		NPN	1T	SOT23
MMBT3960A	N	2N3960A	1T	
MMBT404		PNP	2M	SOT23
MMBT404	N	pnp-chopper 24V 150mA	2M	SOT23
MMBT404A		PNP	2N	SOT23
MMBT404A	N	pnp-chopper 35V 150mA	2N	SOT23
MMBT4123		NPN	5B	SOT23
MMBT4123	N	2N4123	5B	SOT23
MMBT4123	N	2N4123	ZE	SOT23
MMBT4124		NPN	ZC	SOT23
MMBT4125		PNP	ZD	SOT23
MMBT4125	N	2N4125	ZD	SOT23
MMBT4126		PNP	C3	SOT23
MMBT4209	N	pnp sw 850MHz 2N4209	22	
MMBT4258	N	pnp sw ft 700MHz	78	SOT23
MMBT4260		PNP	2R	SOT23
MMBT4261		PNP	2S	SOT23
MMBT4400	N	nnp 2N4400	83	
MMBT4401		NPN	2X	SOT23
MMBT4401	N	2N4401	2X	SOT23
MMBT4403		PNP	2T	SOT23
MMBT4403	N	2N4403	2T	SOT23
MMBT5086		PNP	2P	SOT23
MMBT5086	N	2N5086	2P	SOT23
MMBT5087		PNP	2Q	SOT23
MMBT5087	N	2N5087	2Q	SOT23
MMBT5088		NPN	1Q	SOT23
MMBT5088	N	MPSA18 Vce 30V	1Q	SOT23
MMBT5089		NPN	1R	SOT23
MMBT5089	N	MPSA18 Vce 25V	1R	SOT23
MMBT5401		PNP	2L	SOT23
MMBT5401	N	2N5401 pnp 150V	2L	SOT23
MMBT5550		NPN	1F	SOT23
MMBT5550	N	2N5550 140V npn	1F	SOT23
MMBT5550L	N	2N5550 npn 140V	M1F	SOT23
MMBT5551		NPN	G1	SOT23

MMBT5551	N	2N5551 npn Vce 140V	G1	SOT23
MMBT6427		NPN	1V	SOT23
MMBT6427	H	2N6426/7 darlington npn	1V	SOT23
MMBT6428		NPN	1K	SOT23
MMBT6428	N	MPSA18 50V	1K	SOT23
MMBT6428L	N	MPSA18 50V	1KM	SOT23
MMBT6429		NPN	1L	SOT23
MMBT6429	N	MPSA18 45V	1L	
MMBT6517		NPN	1Z	SOT23
MMBT6517	N	2N6517 npn Vce 350V	1Z	sot23
MMBT6520		PNP	22	SOT23
MMBT6520	N	2N6520 pnp Vce 350V	2Z	SOT23
MMBT6543		NPN	3F	SOT23
MMBT8099L	N	nnp 80V gp	KB	SOT23
MMBT8598		PNP	2K	SOT23
MMBT8598	N	2N4125 pnp 60V	2K	
MMBT8599		PNP	2W	SOT23
MMBT8599	N	2N4125 Vce 80V pnp	2W	
MMBT918		NPN	3B	SOT23
MMBT918L	N	2N918 UHF amp	M3B	SOT23
MMBT930L	N	MPS3904	1X	
MMBTA05		NPN	1H	SOT23
MMBTA05	N	MPSA05	1H	SOT23
MMBTA05	N	MPSA05	t1H	SOT323
MMBTA06		NPN	1G	SOT23
MMBTA06	N	MPSA06	1G	SOT23
MMBTA06	N	MPSA06	1GM	SOT23
MMBTA13		NPN	1M	SOT23
MMBTA13	N	MPSA13 darlington	1M	SOT23
MMBTA14		NPN	1N	SOT23
MMBTA14	N	MPSA14 darlington	1N	SOT23
MMBTA20		NPN	1C	SOT23
MMBTA20L	N	MPS3904	1C	SOT23
MMBTA42		NPN	1D	SOT23
MMBTA42	N	MPSA42 300V npn	1D	SOT23
MMBTA43		NPN	1E	SOT23
MMBTA43	N	MPSA43 200V npn	1E	SOT23
MMBTA43L	N	MPSA43 200V Vce npn	M1E	SOT23
MMBTA55		PNP	2H	SOT23
MMBTA55	N	MPSA55	2H	SOT23
MMBTA55L	N	pnp 25V (MPSA55)	AL	SOT23
MMBTA56		PNP	2G	SOT23
MMBTA56	N	MPSA56	2G	SOT23
MMBTA56	N	MPSA56	2GM	SOT23
MMBTA63		PNP	2U	SOT23
MMBTA63	N	MPSA63 darlington	2U	SOT23
MMBTA64		PNP	2V	SOT23
MMBTA64	N	MPSA64 darlington	2V	SOT23
MMBTA70		PNP	2C	SOT23
MMBTA70	N	MPSA70	2C	SOT23
MMBTA70L	N	gp pnp MPSA70	M2C	SOT23
MMBTA92		PNP	2D	SOT23
MMBTA92	N	MPSA92 pnp Vce 300V	2D	SOT23
MMBTA93		PNP	2E	SOT23
MMBTA93	N	MPSA93 pnp Vce 200V	2E	SOT23
MMBTD55		PNP	AL	SOT23
MMBTH10		NPN	3E	SOT23

MMBTH24		NPN	3A	SOT23
MMBTH24L	N	npn VHF amp 400MHz ft 30V	M3A	SOT23
MMBTH69		PNP	3J	SOT23
MMBTH69L	N	pnp VHF amp 2GHz ft 15V	M3J	SOT23
MMBTH81		PNP	3D	SOT23
MMBTS102		TEMP.SENSOR	T52	SOT23
MMBTS103		TEMP.SENSOR	T53	SOT23
MMBTS105		TEMP.SENSOR	T55	SOT23
MMBV105G		VCAPdioda	4E	SOT23
MMBV105G	C	Hyperabrupt varicap	M4E	SOT23
MMBV105G	C	MV105 varicap	4E	SOT23
MMBV109		VCAPdioda	4A	SOT23
MMBV109	C	Hyperabrupt varicap	M4A	SOT323
MMBV109	C	MV209 varicap	4A	
MMBV2097		VCAPdioda	4K	SOT23
MMBV2098		VCAPdioda	4L	SOT23
MMBV2101		VCAPdioda	4G	SOT23
MMBV2101	C	MV2101 varicap	4G	SOT23
MMBV2101	C	varicap 6.8pF MV2101	M4G	SOT23
MMBV2102	C	MV2102 varicap	4Y	SOT23
MMBV2103		VCAPdioda	4H	SOT23
MMBV2103	C	MV2103 varicap	4H	SOT23
MMBV2104		VCAPdioda	4Z	SOT23
MMBV2104	C	MV2104 varicap	4Z	SOT23
MMBV2105		VCAPdioda	4U	SOT23
MMBV2105	C	MV2105 varicap	4U	SOT23
MMBV2106	C	MV2106 varicap	4V	SOT23
MMBV2107		VCAPdioda	4W	SOT23
MMBV2107	C	MV2107 varicap	4W	SOT23
MMBV2108		VCAPdioda	4X	SOT23
MMBV2108	C	MV2108 varicap	4X	SOT23
MMBV2109		VCAPdioda	4J	SOT23
MMBV2109	C	MV2109 varicap	4J	SOT23
MMBV3102		VCAPdioda	4C	SOT23
MMBV3102	C	Hyperabrupt varicap	M4C	SOT23
MMBV3401		PNP	4D	SOT23
MMBV3401	C	VHF pin diode	4D	SOT23
MMBV3700		PNP	4R	SOT23
MMBV3700	C	200V vhf pin diode	4R	SOT23
MMBV409		VCAPdioda	X5	SOT23
MMBV409G	C	Hyperabrupt varicap	X5	SOT23
MMBV432	B	dual cc varicap 1.5-45pF	4B	
MMBV432	B	dual cc varicap 45pF/2V	M4B	SOT23
MMBV432L		VCAPdioda	4B	SOT23
MMBV609		VCAP	5L	SOT23
MMBV609	B	dual cc Hyperabrupt varicap	5L	SOT23
MMBV809		VCAP	5K	SOT23
MMBV809	C	Hyperabrupt varicap	5K	SOT23
MMBZ5226B	C	3.3V zener 0.225W	8A	SOT23
MMBZ5227		zener.	8B	SOT23
MMBZ5227B	C	3.6V zener 0.225W	8B	SOT23
MMBZ5228		zener.	8C	SOT23
MMBZ5228B	C	3.9V zener 0.225W	8C	SOT23
MMBZ5229		zener.	8D	SOT23
MMBZ5230		zener.	8E	SOT23
MMBZ5230B	C	4.7V zener 0.225W	8E	SOT23
MMBZ5231		zener.	8F	SOT23

MMBZ5231B	C	5.1V zener 0.225W	8F	SOT23
MMBZ5232		zener.	8G	SOT23
MMBZ5232B	C	5.6V zener 0.225W	8G	SOT23
MMBZ5233		zener.	8H	SOT23
MMBZ5233B	C	6.0V zener 0.225W	8H	SOT23
MMBZ5234		zener.	8J	SOT23
MMBZ5234B	C	6.2V zener 0.225W	8J	SOT23
MMBZ5235		zener.	8K	SOT23
MMBZ5235B	C	6.8V zener 0.225W	8K	SOT23
MMBZ5236		zener.dioda	8L	SOT23
MMBZ5236B	C	7.5V zener 0.225W	8L	SOT23
MMBZ5237		zener.	8M	SOT23
MMBZ5237B	C	8.2V zener 0.225W	8M	SOT23
MMBZ5238		zener.	8N	SOT23
MMBZ5238B	C	8.7V zener 0.225W	8N	SOT23
MMBZ5239		zener.	8P	SOT23
MMBZ5239B	C	9.1V zener 0.225W	8P	SOT23
MMBZ5240		zener.	8Q	SOT23
MMBZ5240B	C	10V zener 0.225W	8Q	SOT23
MMBZ5241		zener.	8R	SOT23
MMBZ5241B	C	11V zener 0.225W	8R	SOT23
MMBZ5242		zener.	8S	SOT23
MMBZ5242B	C	12V zener 0.225W	8S	SOT23
MMBZ5243		zener.	8T	SOT23
MMBZ5243B	C	13V zener 0.225W	8T	SOT23
MMBZ5244		zener.	8U	SOT23
MMBZ5244B	C	14V zener 0.225W	8U	SOT23
MMBZ5245		zener.	8V	SOT23
MMBZ5245B	C	15V zener 0.225W	8V	SOT23
MMBZ5246		zener.	8W	SOT23
MMBZ5246B	C	16V zener 0.225W	8W	SOT23
MMBZ5247		zener.	8X	SOT23
MMBZ5247B	C	17V zener 0.225W	8X	SOT23
MMBZ5248		zener.	8Y	SOT23
MMBZ5248B	C	18V zener 0.225W	8Y	SOT23
MMBZ5249		zener.	8Z	SOT23
MMBZ5249B	C	19V zener 0.225W	8Z	SOT23
MMBZ5250		zener.	81A	SOT23
MMBZ5250B	C	20V zener 0.225W	81A	SOT23
MMBZ5251		zener.	81B	SOT23
MMBZ5251B	C	22V zener 0.225W	81B	SOT23
MMBZ5252		zener.	81C	SOT23
MMBZ5252B	C	24V zener 0.225W	81C	SOT23
MMBZ5253		zener.	81D	SOT23
MMBZ5253B	C	25V zener 0.225W	81D	SOT23
MMBZ5254		zener.	81E	SOT23
MMBZ5254B	C	27V zener 0.225W	81E	SOT23
MMBZ5255		zener.	81F	SOT23
MMBZ5255B	C	28V zener 0.225W	81F	SOT23
MMBZ5256		zener.	81G	SOT23
MMBZ5256B	C	30V zener 0.225W	81G	SOT23
MMBZ5257		zener.	81H	SOT23
MMBZ5257B	C	33V zener 0.225W	81H	SOT23
MMFT107T1		MOS	FT107	SOT223
MMFT1N10ET1		MOSFET	1N10	SOT223
MMFT1N10T1		MOSFET	T1N10	SOT223
MMFT2406T1		MOSFET	T2406	SOT223

MMFT2955ET1		MOSFET	2955	SOT223
MMFT2N02ELT1		MOSFET	2N02L	SOT223
MMFT3055ELT1		MOSFET	3055L	SOT223
MMFT3055ET1		MOSFET	3055	SOT223
MMFT3166T1		MOSFET	T3166	SOT223
MMFT6661T1		MOSFET	T6661	SOT223
MMFT960T1		MOS	FT960	SOT223
MMSB3000	I	Si diode 30V 0.2A	4K	SOD123
MMSD301	I	MBD301	XT	SOD123
MMSD4148	C	1N4148	5I	
MMSD701	I	MMBD701	XH	SOD123
MMSD71	C	gp Si diode	6S	
MMSD914	I	1N914	5D	SOD123
MMUN2111	N	pn-p gp with 10k+10k biasres	A6A	SOT23
MMUN2111T1		PNP	A6A	SOT23
MMUN2112	N	pn-p gp with 22k+22k biasres	A6B	SOT23
MMUN2112T1		PNP	A6B	SOT23
MMUN2113	N	pn-p gp with 47k+47k biasres	A6C	SOT23
MMUN2113T1		PNP	A6C	SOT23
MMUN2114	N	pn-p gp with 10k+10k biasres	A6D	SOT23
MMUN2114T1		PNP	A6D	SOT23
MMUN2115	N	pn-p gp with 10k Wypr. res	A6E	SOT23
MMUN2116	N	pn-p gp with 4k7 Wypr. res	A6F	SOT23
MMUN2130	N	pn-p gp with 1k0+1k0 biasres	A6G	SOT23
MMUN2131	N	pn-p gp with 2k2+2k2 biasres	A6H	SOT23
MMUN2132	N	pn-p gp with 4k7+4k7 biasres	A6J	SOT23
MMUN2133	N	pn-p gp with 4k7+47k biasres	A6K	SOT23
MMUN2134	N	pn-p gp with 4k7+47k biasres	A6L	SOT23
MMUN2211	N	npn gp with 10k+10k biasres	A8A	SOT23
MMUN2211T1		NPN	A8A	SOT23
MMUN2212	N	npn gp with 22k+22k biasres	A8B	SOT23
MMUN2212T1		NPN	A8B	SOT23
MMUN2213	N	npn gp with 47k+47k biasres	A8C	SOT23
MMUN2213T1		NPN	A8C	SOT23
MMUN2214	N	npn gp with 10k+10k biasres	A8D	SOT23
MMUN2214T1		NPN	A8D	SOT23
MMUN2215	N	npn gp with 10k Wypr. res	A8E	SOT23
MMUN2216	N	npn gp with 4k7 Wypr. res	A8F	SOT23
MMUN2230	N	npn gp with 1k0+1k0 biasres	A8G	SOT23
MMUN2231	N	npn gp with 2k2+2k2 biasres	A8H	SOT23
MMUN2232	N	npn gp with 4k7+4k7 biasres	A8J	SOT23
MMUN2233	N	npn gp with 4k7+47k biasres	A8K	SOT23
MMUN2234	N	npn gp with 22k+47k biasres	A8L	SOT23
MMVB3102	C	varicap 6-35pF	4C	SOT23
MRF2947A	DG	dual MRF941 npn RF 9GHz	WU	SOT363
MRF2947RA	DH	dual MRF941 npn RF 9GHz	XR	SOT363
MRF2947RA	DH	dual MRF941 npn RF 9GHz	XU	
MRF5211		PNP	4	SOT143
MRF5211L	X	pn-p RF MRF521	04	SOT143
MRF571	N	8 GHz 40mA npn RF	N1	SOT416
MRF5711		NPN	2	SOT143
MRF5711L	X	npn RF MRF571	02	SOT143
MRF577	N	npn RF ft 7GHz	D	SOT323
MRF5811	X	npn Rf ft 5GHz 0.2A	20	SOT143
MRF9011		NPN	1	SOT143
MRF917	N	npn RF ft 6GHz	K	SOT323
MRF927	N	npn RF ft 8GHz	F	SOT323

MRF9331		NPN	5	SOT143
MRF9411L	X	npn Rf 8GHz MRF941	10	SOT143
MRF947	N	npn RF 8 GHz	A	SOT323
MRF947A	N	npn RF 8GHz	G	SOT323
MRF947B	N	npn RF 8GHz	H	SOT323
MRF949	N	npn RF FT 9GHz	JL	SOT323
MRF9511L	X	npn RF 8GHz MRF951	11	SOT143
MRF957	N	npn RF FT 9GHz	B	SOT323
MRF959	N	npn RF FT 9GHz	V1	SC75
MSA1022-BT1		PNP	EB	SC59
MSA1022-CT1		PNP	EC	SC59
MSA709-RT1		PNP	AR	SC59
MSA709-ST1		PNP	AS	SC59
MSA710-OT1		PNP	CQ	SC59
MSA710-RT1		PNP	CR	SC59
MSB1218A	N	gp pnp 45V	BR	SOT323
MSB81T1		vhf pnp FT 0.6GHz	J3D	
MSC1022-B	H	pnp RF 150MHz FT 20V	EB	
MSC1022-C	H	pnp RF 150MHz FT 20V	EC	
MSC1621	H	npn sw 20V 200MHz	RB	
MSC1621T1		NPN	RB	SC59
MSC2295-B	H	npn RF 150MHz FT 20V	VB	
MSC2295-BT1		NPN	VB	SC59
MSC2295-C	H	npn RF 150MHz FT 20V	VC	
MSC2295-CT1		NPN	VC	SC59
MSC2402-CT1		NPN	UC	SC59
MSC2404-C	H	npn RF 450MHz FT 20V	UC	
MSC3130	H	npn RF FT 1.4GHz 10V	1S	SOT346
MSC3130T1		NPN	1S	SC59
MSD1328R	N	npn gp 25V 500mA	1DR	SOT346
MSD1328-RT1		NPN	1DR	SC59
MSD1819A	N	npn gp 50V	ZR	SOT323
MSD601R	N	npn gp 25V	YR	SOT346
MSD601-RT1		NPN	YR	SC59
MSD601S	N	npn gp 25V	YS	SOT346
MSD601-ST1		NPN	YS	SC59
MSD602R	N	npn gp 25V 150mA	WR	SOT346
MSD602-RT1		NPN	WR	SC59
MSD701R	N	pnp gp 25V 150mA	CR	SOT346
MSD709R	N	pnp gp 25V	AR	
MSD709S	N	pnp gp 25V	AS	
MSD710Q	N	pnp gp 25V 150mA	CQ	SOT346
MUN2111	N	pnp gp with 10k+10k biasres	6A	SOT23
MUN2111T1		PNP	6A	SC59
MUN2112	N	pnp gp with 22k+22k biasres	6B	SOT23
MUN2112T1		PNP	6B	SC59
MUN2113	N	pnp gp with 47k+47k biasres	6C	SOT23
MUN2113T1		PNP	6C	SC59
MUN2114	N	pnp gp with 10k+47k biasres	6D	SOT23
MUN2114T1		PNP	6D	SC59
MUN2115	N	pnp gp with 10k Wypr. res	6E	SOT23
MUN2116	N	pnp gp with 4k7 Wypr. res	6F	SOT23
MUN2130	N	pnp gp with 1k0+1k0 biasres	6G	SOT23
MUN2131	N	pnp gp with 2k2+2k2 biasres	6H	SOT23
MUN2132	N	pnp gp with 4k7+4k7 biasres	6J	SOT23
MUN2133	N	pnp gp with 4k7+47k biasres	6K	SOT23
MUN2134	N	pnp gp with 22k+47k biasres	6L	SOT23

MUN2211	N	npn gp with 10k+10k biasres	8A	SOT23
MUN2211T1		NPN	8A	SC59
MUN2212	N	npn gp with 22k+22k biasres	8B	SOT23
MUN2212T1		NPN	8B	SC59
MUN2213	N	npn gp with 47k+47k biasres	8C	SOT23
MUN2213T1		NPN	8C	SC59
MUN2214	N	npn gp with 10k+47k biasres	8D	SOT23
MUN2214T1		NPN	8D	SC59
MUN2215	N	npn gp with 10k Wypr. res	8E	SOT23
MUN2216	N	npn gp with 4k7 Wypr. resr	8F	SOT23
MUN2230	N	npn gp with 1k0+1k0 biasres	8G	SOT23
MUN2231	N	npn gp with 2k2+2k2 biasres	8H	SOT23
MUN2232	N	npn gp with 4k7+4k7 biasres	8J	SOT23
MUN2233	N	npn gp with 4k7+47k biasres	8K	SOT23
MUN2234	N	npn gp with 22k+47k biasres	8L	SOT23
MUN5111	N	MUN2111 in	6A	SOT323
MUN5111DW1	DO	dual pnp 10k+10k bias res	0A	SOT363
MUN5111T1		PNP	6A	SOT323
MUN5112	N	MUN2112	6B	SOT323
MUN5112DW1	DO	dual pnp 22k+22k bias res	0B	SOT363
MUN5112T1		PNP	6B	SOT323
MUN5113	N	MUN2113	6C	SOT323
MUN5113DW1	DO	dual pnp 47k+47k bias res	0C	SOT363
MUN5113T1		PNP	6C	SOT323
MUN5114	N	MUN21141	6D	SOT323
MUN5114DW1	DO	dual pnp 10k+47k bias res	0D	SOT363
MUN5114T1		PNP	6D	SOT323
MUN5115	N	MUN2115	6E	SOT323
MUN5115DW1	DO	dual pnp 10k Wypr. res	0E	SOT363
MUN5116	N	MUN2116	6F	SOT323
MUN5116DW1	DO	dual pnp 4k7 Wypr. res	0F	SOT363
MUN5130	N	ial">MUN2130	6G	SOT323
MUN5130DW1	DO	dual pnp 1k0+1k0 bias res	0G	SOT363
MUN5131	N	MUN2121	6H	SOT323
MUN5131DW1	DO	dual pnp 2k2+2k2 bias res	0H	SOT363
MUN5132	N	MUN2132	6J	SOT323
MUN5132DW1	DO	dual pnp 4k7+4k7 bias res	0J	SOT363
MUN5133	N	MUN2133	6K	SOT323
MUN5133DW1	DO	dual pnp 4k7+47k bias res	0K	SOT363
MUN5134	N	MUN2134	6L	SOT323
MUN5134DW1	DO	dual pnp 22k+47k bias res	0L	SOT363
MUN5135DW1	DO	dual pnp 2k2+47k bias res	0M	SOT363
MUN5211	N	MUN2211	8A	SOT323
MUN5211DW1	DN	dual npn 10k+10k bias res	7A	SOT363
MUN5211DW1	DN	dual npn 4k7 Wypr. res	7F	SOT363
MUN5211T1		NPN	8A	SOT323
MUN5212	N	MUN2212	8B	SOT323
MUN5212DW1	DN	dual npn 22k+22k bias res	7B	SOT363
MUN5212T1		NPN	8B	SOT323
MUN5213	N	MUN2213	8C	SOT323
MUN5213DW1	DN	dual npn 47k+47k bias res	7C	SOT363
MUN5213T1		NPN	8C	SOT323
MUN5214	N	MUN2214	8D	SOT323
MUN5214DW1	DN	dual npn 10k+47k bias res	7D	SOT363
MUN5214T1		NPN	8D	SOT323
MUN5215	N	MUN2215	8E	SOT323
MUN5215DW1	DN	dual npn 10k Wypr. res	7E	SOT363

MUN5216	N	MUN2216	8F	SOT323
MUN5230	N	MUN2230	8G	SOT323
MUN5230DW1	DN	dual npn 1k0+1k0 bias res	7G	SOT363
MUN5231	N	MUN223	8H	SOT323
MUN5231DW1	DN	dual npn 2k2+2k2 bias res	7H	SOT363
MUN5232	N	MUN2232	8J	SOT323
MUN5232DW1	DN	dual npn 4k7+4k7 bias res	7J	SOT363
MUN5233	N	MUN2233	8K	SOT323
MUN5233DW1	DN	dual npn 4k7+47k bias res	7K	SOT363
MUN5234	N	MUN2234	8L	SOT323
MUN5234DW1	DN	dual npn 22k+47k bias res	7L	SOT3636
MUN5235DW1	DN	dual npn 2k2+47k bias res	7M	SOT363
MUN5311DW1	DP	npn/pnp 10k+10k bias res	11	SOT363
MUN5312DW1	DP	npn/pnp 22k+22k bias res	12	SOT363
MUN5313DW1	DP	npn/pnp 47k+47k bias res	13	SOT363
MUN5314DW1	DP	npn/pnp 10k Wypr. res	14	SOT363
MUN5315DW1	DP	npn/pnp 10k Wypr. res	15	SOT363
MUN5316DW1	DP	npn/pnp 4k7 Wypr. res	16	SOT363
MV7005		VARICAPdioda	V7005	SOT223
MV7404		VARICAPdioda	V7404	SOT223
NDS0605	M	p-ch sw mosfet 60V	605	
NDS0610	M	p-ch sw mosfet 60V	610	
NDS7002A	M	n-ch mosfet 60V 0.28A	712	SOT23
PDTA114EU	N	pnp + res	11	SOT416
PDTA114TT	N	pnp + res	p11	SOT23
PDTA114TT	N	pnp + res	t11	SOT23
PDTA114TU	N	pnp +10k Wypr. res	-23	SOT323
PDTA114TU	N	pnp +10k Wypr. res	t23	SOT323
PDTA114WU	N	pnp + res	-28	SOT323
PDTA143ET	N	pnp 4k7+4k7 bias res	p01	SOT23
PDTA143ET	N	pnp 4k7+4k7 bias res	t01	SOT23
PDTA143ZK	N	pnp 4k7+47k bias res	19	SOT346
PDTA143ZT	N	pnp 4k7+47k bias res	p19	SOT23
PDTA143ZT	N	pnp 4k7+47k bias res	t19	SOT23
PDTC114ET	N	npn + res	p16	SOT23
PDTC114EU	N	npn + res	t16	SOT323
PDTC114TT	N	npn + res	p12	SOT23
PDTC114TT	N	npn + res	t12	SOT23
PDTC114TU	N	npn +10k res	-24	SOT323
PDTC114TU	N	npn +10k res	t24	SOT323
PDTC114WU	N	npn + res	-20	SOT323
PDTC124ET	N	npn + res	p17	SOT23
PDTC124EU	N	npn + res	t17	SOT323
PDTC143ET	N	npn 4k7+4k7 bias res	p02	SOT23
PDTC143ET	N	npn 4k7+4k7 bias res	t02	SOT23
PDTC143ZK	N	npn 4k7+47k bias res	18	SOT346
PDTC143ZT	N	npn 4k7+47k bias res	p18	SOT23
PDTC143ZT	N	npn 4k7+47k bias res	t18	SOT23
PDZ10B	I	10V 0.4W zener	ZF	SOD323
PDZ11B	I	11V 0.4W zener	ZG	SOD323
PDZ12B	I	12V 0.4W zener	ZH	SOD323
PDZ13B	I	13V 0.4W zener	ZJ	SOD323
PDZ15B	I	15V 0.4W zener	ZK	SOD323
PDZ16B	I	16V 0.4W zener	ZL	SOD323
PDZ18B	I	18V 0.4W zener	ZM	SOD323
PDZ2.4B	I	2.4V 0.4W zener	Z0	SOD323
PDZ2.7B	I	2.7V 0.4W zener	Z1	SOD323

PDZ20B	I	20V 0.4W zener	ZN	SOD323
PDZ22B	I	22V 0.4W zener	ZP	SOD323
PDZ24B	I	24V 0.4W zener	ZQ	SOD323
PDZ27B	I	27V 0.4W zener	ZR	SOD323
PDZ3.0B	I	3.0V 0.4W zener	Z2	SOD323
PDZ3.3B	I	3.3V 0.4W zener	Z3	SOD323
PDZ3.6B	I	3.6V 0.4W zener	Z4	SOD323
PDZ3.9B	I	3.9V 0.4W zener	Z5	SOD323
PDZ30B	I	30V 0.4W zener	ZS	SOD323
PDZ33B	I	33V 0.4W zener	ZT	SOD323
PDZ36B	I	36V 0.4W zener	ZU	SOD323
PDZ4.3B	I	4.3V 0.4W zener	Z6	SOD323
PDZ4.7B	I	4.7V 0.4W zener	Z7	SOD323
PDZ5.1B	I	5.1V 0.4W zener	Z8	SOD323
PDZ5.6B	I	5.6V 0.4W zener	Z9	SOD323
PDZ6.2B	I	6.2V 0.4W zener	ZA	SOD323
PDZ6.8B	I	6.8V 0.4W zener	ZB	SOD323
PDZ7.5B	I	7.5V 0.4W zener	ZC	SOD323
PDZ8.2B	I	8.2V 0.4W zener	ZD	SOD323
PDZ9.1B	I	9.1V 0.4W zener	ZE	SOD323
PKT2222A		NPN	1P	SOT89
PLVA2650A	A	dual ca 5.0V reg diode	9J	SOT23
PLVA2653A	A	dual ca 5.3V reg diode	9K	SOT23
PLVA2656A	A	dual 5.60V reg diode	9L	SOT23
PLVA2659A	A	dual ca 5.9V reg diode	9M	SOT23
PLVA2662A	A	dual ca 6.2V reg diode	9N	SOT23
PLVA2665A	A	dual ca 6.5V reg diode	9O	SOT23
PLVA2668A	A	dual ca 6.8V reg diode	9P	SOT23
PLVA650A		dioda	9A	SOT23
PLVA650A	C	5.0V avalanche reg diode	9A	SOT23
PLVA653A		dioda	9B	SOT23
PLVA653A	C	5.3V avalanche reg diode	9B	SOT23
PLVA656A		dioda	9C	SOT23
PLVA656A	C	5.6V avalanche reg diode	9C	SOT23
PLVA659A		dioda	9D	SOT23
PLVA659A	C	5.9V avalanche reg diode	9D	SOT23
PLVA662A	C	6.2V avalanche reg diode	9E	SOT23
PLVA665A		dioda	9F	SOT23
PLVA665A	C	6.5V avalanche reg diode	9F	SOT23
PLVA668A		dioda	9G	SOT23
PLVA668A	C	6.8V avalanche reg diode	9G	SOT23
PLVA662A		dioda	9E	SOT23
PMBD2835		dioda-2x	A3	SOT23
PMBD2836		dioda-2x	A2	SOT23
PMBD2837		dioda-2x	A5	SOT23
PMBD2838		dioda-2x	A6	SOT23
PMBD6050		dioda	5A	SOT23
PMBD6100		dioda-2x	5B	SOT23
PMBD7000		dioda-2x	5C	SOT23
PMBD914		dioda	5D	SOT23
PMBF170		MOSFET	KX	SOT23
PMBF4391		FET	6J	SOT23
PMBF4392		FET	6K	SOT23
PMBF4393		FET	6G	SOT23
PMBF4416		FET	P6A	SOT23
PMBF4416A		FET	M16	SOT23
PMBF5484		FET	6B	SOT23

PMBF5485		FET	6M	SOT23
PMBF5486		FET	6H	SOT23
PMBFJ174		FET	6X	SOT23
PMBFJ175		FET	6W	SOT23
PMBFJ176		FET	6S	SOT23
PMBFJ177		FET	6Y	SOT23
PMBFJ308		FET	MO8	SOT23
PMBFJ308	F	VHF n-ch JFET J308	M08	SOT23
PMBFJ309		FET	M09	SOT23
PMBFJ309	F	VHF n-ch JFET J309	M09	SOT23
PMBFJ310		FET	M10	SOT23
PMBFJ310	F	J310 n-ch jfet	M10	SOT23
PMBFJ310	F	VHF n-ch JFET J310	M10	SOT23
PMBS3904	N	2N3904	t04	SOT23
PMBS3906	N	2N3906 in	t06	SOT23
PMBT2222		NPN	1B	SOT23
PMBT2222	N	2N2222	p1B	SOT23
PMBT2222	N	2N2222	t1B	SOT23
PMBT2222A		NPN	1P	SOT23
PMBT2222A	N	2N2222A	p1P	SOT23
PMBT2222A	N	2N2222A	t1P	SOT23
PMBT22907A		PNP	2F	SOT23
PMBT2369		NPN	U	SOT23
PMBT2369	N	2N2369	p1J	SOT23
PMBT2369	N	2N2369	t1J	SOT23
PMBT2369	N	2N2369	t1J	SOT323
PMBT2907		PNP	2B	SOT23
PMBT2907	N	2N2907	p2B	SOT23
PMBT2907	N	2N2907	t2B	SOT23
PMBT2907A	N	2N2907A	p2F	SOT23
PMBT2907A	N	2N2907A	t2F	SOT23
PMBT2907A	N	2N2907A	t2F	SOT323
PMBT3640		PNP	V25	SOT23
PMBT3904		NPN	1A	SOT23
PMBT3906		PNP	2A	SOT23
PMBT3906	N	>2N3906	p2A	SOT23
PMBT3906	N	2N3906	t2A	SOT23
PMBT4401		NPN	2X	SOT23
PMBT4401	N	2N4401	p2X	SOT23
PMBT4401	N	2N4401	t2X	SOT23
PMBT4403		PNP	2T	SOT23
PMBT4403	N	2N4403	p2T	SOT23
PMBT4403	N	2N4403	t2T	SOT23
PMBT5088		NPN	1Q	SOT23
PMBT5088	N	MPSA18 Vce 30V	p1Q	SOT23
PMBT5088	N	MPSA18 Vce 30V	t1Q	SOT23
PMBT5401		PNP	2L	SOT23
PMBT5401	N	2N5401 pnp 150V	p2L	SOT23
PMBT5401	N	2N5401 pnp 150V	t2L	SOT23
PMBT5550		NPN	1F	SOT23
PMBT5550	N	2N5550 140V npn	p1F	SOT23
PMBT5550	N	2N5550 140V npn	t1F	SOT23
PMBT5551		NPN	G1	SOT23
PMBT5551	N	2N5551 npn Vce 140V	tG1	SOT23
PMBT6428		NPN	1K	SOT23
PMBT6428	N	MPSA18 50V	p1K	SOT23
PMBT6428	N	MPSA18 50V	t1K	SOT23

PMBT6428	N	MPSA18 50V	t1K	SOT323
PMBT6429		NPN	1L	SOT23
PMBT6429	N	MPSA18 45V	p1L	SOT23
PMBT6429	N	MPSA18 45V	t1L	SOT23
PMBT6429	N	MPSA18 45V	t1L	SOT323
PMBTA05		NPN	P1H	SOT23
PMBTA06		NPN	P1G	SOT23
PMBTA13		NPN	1M	SOT23
PMBTA13	N	MPSA13 darlington	p1M	SOT23
PMBTA13	N	MPSA13 darlington	t1M	SOT23
PMBTA14		NPN	1N	SOT23
PMBTA14	N	MPSA14 darlington	p1N	SOT23
PMBTA14	N	MPSA14 darlington	t1N	SOT23
PMBTA42		NPN	P1D	SOT23
PMBTA42	N	MPSA42 300V npn	p1D	SOT23
PMBTA42	N	MPSA42 300V npn	t1D	SOT23
PMBTA43		NPN	P1E	SOT23
PMBTA43	N	MPSA43 200V npn	t1E	SOT23
PMBTA55		PNP	P2G	SOT23
PMBTA55	N	MPSA55	t2H	SOT23
PMBTA56		PNP	P2H	SOT23
PMBTA56	N	MPSA56	p2G	SOT23
PMBTA56	N	MPSA56	t2G	SOT23
PMBTA63		PNP	2U	SOT23
PMBTA63	N	MPSA63 darlington	t2U	SOT23
PMBTA64		PNP	2V	SOT23
PMBTA64	H	MPSA64 darlington	t2V	SOT23
PMBTA92		PNP	P2D	SOT23
PMBTA92	N	MPSA92 pnp Vce 300V	p2D	SOT23
PMBTA92	N	MPSA92 pnp Vce 300V	t2D	SOT23
PMBTA93		PNP	P2E	SOT23
PMBTA93	N	MPSA93 pnp Vce 200V	t2E	SOT23
PMBTH10		NPN	V30	SOT23
PMBTH81		PNP	V31	SOT23
PMBZ5226B		zener.dioda	8A	SOT23
PMBZ5227B		zener.dioda	8B	SOT23
PMBZ5228B		zener.dioda	8C	SOT23
PMBZ5229B		zener.dioda	8D	SOT23
PMBZ5230B		zener.dioda	8E	SOT23
PMBZ5231B		zener.dioda	8F	SOT23
PMBZ5232B		zener.dioda	8G	SOT23
PMBZ5233B		zener.dioda	8H	SOT23
PMBZ5234B		zener.dioda	8J	SOT23
PMBZ5235B		zener.dioda	8K	SOT23
PMBZ5236B		zener.dioda	8L	SOT23
PMBZ5237B		zener.dioda	8M	SOT23
PMBZ5238B		zener.dioda	8N	SOT23
PMBZ5239B		zener.dioda	8P	SOT23
PMBZ5240B		zener.dioda	8Q	SOT23
PMBZ5241B		zener.dioda	8R	SOT23
PMBZ5242B		zener.dioda	8S	SOT23
PMBZ5243B		zener.dioda	8T	SOT23
PMBZ5244B		zener.dioda	8U	SOT23
PMBZ5245B		zener.dioda	8V	SOT23
PMBZ5246B		zener.dioda	8W	SOT23
PMBZ5247B		zener.dioda	8X	SOT23
PMBZ5248B		zener.dioda	8Y	SOT23

PMBZ5249B		zener.dioda	8Z	SOT23
PMBZ5250B		zener.dioda	81A	SOT23
PMBZ5250B	C	20V zener 0.225W	81A	SOT23
PMBZ5251B		zener.dioda	81B	SOT23
PMBZ5251B	C	22V zener 0.225W	81B	SOT23
PMBZ5252B		zener.dioda	81C	SOT23
PMBZ5252B	C	24V zener 0.225W	81C	SOT23
PMBZ5253B		zener.dioda	81D	SOT23
PMBZ5253B	C	25V zener 0.225W	81D	SOT23
PMBZ5254B		zener.dioda	81E	SOT23
PMBZ5254B	C	27V zener 0.225W	81E	SOT23
PMBZ5255B		zener.dioda	81F	SOT23
PMBZ5255B	C	28V zener 0.225W	81F	SOT23
PMBZ5256B		zener.dioda	81G	SOT23
PMBZ5256B	C	30V zener 0.225W	81G	SOT23
PMBZ5257B		zener.dioda	81H	SOT23
PMBZ5257B	C	33V zener 0.225W	81H	SOT23
PMMT3904	N	2N3904	p1A	SOT23
PMMT3904	N	2N3904	t1A	SOT23
PMMTA06	N	MPSA06	p1G	SOT23
PMMTA06	N	MPSA06	t1G	SOT23
PMMTA06	N	MPSA06	t1G	SOT323
PMSS3904		NPN	PO4	SOT323
PMSS3904	N	2N3904	-04	SOT323
PMSS3906		PNP	PO6	SOT323
PMSS3906	N	2N3906 in	-06	SOT323
PMST2222	N	2N2222	-1B	SOT323
PMST2222	N	2N2222	t1B	SOT233
PMST2222A	N	2N2222A	t1P	SOT323
PMST3904		NPN	P1A	SOT323
PMST3904	N	2N3904	-1A	SOT323
PMST3904	N	2N3904	t1A	SOT323
PMST3906		PNP	P2A	SOT323
PMST3906	N	2N3906	t2A	SOT323
PMST4401		NPN	P2X	SOT323
PMST4401	N	2N4401	t2X	SOT323
PMST4403		PNP	P2T	SOT323
PMST4403	N	2N4403	t2T	SOT323
PMST5088		NPN	P1Q	SOT323
PMST5088	N	MPSA18 Vce 30V	t1Q	SOT323
PMST5089		NPN	P1R	SOT323
PMST5089	N	MPSA18 Vce 25V	t1R	SOT323
PMST5401	N	2N5401 pnp 150V	t2L	SOT323
PMST5550	N	2N5550 140V npn	t1F	SOT323
PMST5551	N	2N5551 npn Vce 140V	tG1	SOT323
PMST5551	N	2N5551	pG3	SOT323
PMSTA42	N	MPSA42 300V npn	t1D	SOT323
PMSTA43	N	MPSA43 200V npn	t1E	SOT323
PMSTA55	N	MPSA55	t2H	SOT323
PMSTA56	N	MPSA56	t2G	SOT323
PMSTA92	N	MPSA92 pnp Vce 300V	t2D	SOT323
PMSTA93	N	MPSA93 pnp Vce 200V	t2E	SOT323
PXT2222		NPN	1B	SOT89
PXT2222A	N	2N2222A	p1P	SOT89
PXT2907		PNP	2B	SOT89
PXT2907A		PNP	2F	SOT89
PXT2907A	O	2N2907A	p2F	SOT89

PXT3904		NPN	1A	SOT89
PXT3904	N	2N3904	p1A	SOT89
PXT3906		PNP	2A	SOT89
PXT3906	O	2N3906	p2A	SOT89
PXT4401		NPN	2X	SOT89
PXT4401	O	2N4401	p2X	SOT89
PXT4403		PNP	2T	SOT89
PXT4403	O	2N4403	p2T	SOT89
PXTA13	N	MPSA13 darlington	p1M	SOT89
PXTA14		NPN	1N	SOT89
PXTA14	N	MPSA14 darlington	p1N	SOT89
PXTA42	N	MPSA42 300V npn	p1D	SOT89
PXTA64		PNP	2V	SOT89
PXTA64	O	MPSA64 darlington	p2V	SOT89
PXTA92		PNP	2D	SOT89
PXTA92	O	MPSA92 pnp Vce 300V	p2D	SOT89
PXTA93		PNP	2E	SOT89
PZM10NB	C	10V 0.3W zener	10V	SOT346
PZM10NB1	C	10V 0.3W zener	101	SOT346
PZM10NB2	C	10V 0.3W zener	102	SOT346
PZM10NB2A	A	dual ca 10V 0.3W zener	10A	SOT346
PZM10NB3	C	10V 0.3W zener	103	SOT346
PZM11NB	C	11V 0.3W zener	11V	SOT346
PZM11NB1	C	11V 0.3W zener	111	SOT346
PZM11NB2	C	11V 0.3W zener	112	SOT346
PZM11NB2A	A	dual ca 11V 0.3W zener	11A	SOT346
PZM11NB3	C	11V 0.3W zener	113	SOT346
PZM12NB	C	12V 0.3W zener	12V	SOT346
PZM12NB1	C	12V 0.3W zener	121	SOT346
PZM12NB2	C	12V 0.3W zener	122	SOT346
PZM12NB2A	A	dual ca 12V 0.3W zener	12A	SOT346
PZM12NB3	C	12V 0.3W zener	123	SOT346
PZM13NB	C	13V 0.3W zener	13V	SOT346
PZM13NB1	C	13V 0.3W zener	131	SOT346
PZM13NB2	C	13V 0.3W zener	132	SOT346
PZM13NB2A	A	dual ca 13V 0.3W zener	13A	SOT346
PZM13NB3	C	13V 0.3W zener	133	SOT346
PZM15NB	C	15V 0.3W zener	15V	SOT346
PZM15NB1	C	15V 0.3W zener	151	SOT346
PZM15NB2	C	15V 0.3W zener	152	SOT346
PZM15NB2A	A	dual ca 15V 0.3W zener	15A	SOT346
PZM15NB3	C	15V 0.3W zener	153	SOT346
PZM16NB	C	16V 0.3W zener	16V	SOT346
PZM16NB1	C	16V 0.3W zener	161	SOT346
PZM16NB2	C	16V 0.3W zener	162	SOT346
PZM16NB3	C	16V 0.3W zener	163	SOT346
PZM18NB	C	18V 0.3W zener	18V	SOT346
PZM18NB1	C	18V 0.3W zener	181	SOT346
PZM18NB2	C	18V 0.3W zener	182	SOT346
PZM18NB3	C	18V 0.3W zener	183	SOT346
PZM2.4NB	C	2.4V 300mW Zener	2V4	SOT346
PZM2.4NB2A	A	dual 2.4V cc Zener	2A4	SOT346
PZM2.7NB	C	2.7V 300mW Zener	2V7	SOT346
PZM2.7NB1	C	2.7V 300mW Zener	271	SOT346
PZM2.7NB2	C	2.7V 300mW Zener	272	SOT346
PZM2.7NB2A	A	dual 2.7V cc Zener	2A7	SOT346
PZM20NB	C	20V 300mW zener	20V	SOT346

PZM20NB	C	24V 300mW Zener	243	SOT346
PZM20NB1	C	20V 300mW Zener	201	SOT346
PZM20NB2	C	20V 300mW Zener	202	SOT346
PZM20NB3	C	20V 300mW Zener	203	SOT346
PZM22NB	C	22V 300mW zener	22V	SOT346
PZM22NB1	C	22V 300mW Zener	221	SOT346
PZM22NB2	C	22V 300mW Zener	222	SOT346
PZM22NB3	C	22V 300mW Zener	223	SOT346
PZM24NB	C	24V 300mW Zener	241	SOT346
PZM24NB	C	24V 300mW Zener	242	SOT346
PZM24NB	C	24V 300mW Zener	24V	SOT346
PZM27NB	C	27V 300mW Zener	27V	SOT346
PZM4.3NB	C	4.3V 0.3W zener	4V3	SOT346
PZM4.3NB1	C	4.3V 0.3W zener	431	SOT346
PZM4.3NB2	C	4.3V 0.3W zener	432	SOT346
PZM4.3NB2A	A	dual ca 4.3V Zener	4A3	SOT346
PZM4.3NB3	C	4.3V 0.3W zener	433	SOT346
PZM4.7NB	C	4.7V 0.3W zener	4V7	SOT346
PZM4.7NB1	C	4.7V 0.3W zener	471	SOT346
PZM4.7NB2	C	4.7V 0.3W zener	472	SOT346
PZM4.7NB2A	A	dual ca 4.7V Zener	4A7	SOT346
PZM4.7NB3	C	4.7V 0.3W zener	473	SOT346
PZM43NB	C	43V 0.3W zener	43V	SOT346
PZM47NB	C	47V 0.3W zener	47V	SOT346
PZM5.1NB	C	5.1V 0.3W zener	5V1	SOT346
PZM5.1NB1	C	5.1V 0.3W zener	511	SOT346
PZM5.1NB1	C	5.6V 0.3W zener	561	SOT346
PZM5.1NB2	C	5.1V 0.3W zener	512	SOT346
PZM5.1NB2	C	5.6V 0.3W zener	562	SOT346
PZM5.1NB2A	A	dual ca 5.1V 0.3W zener	5A1	SOT346
PZM5.1NB3	C	5.1V 0.3W zener	513	SOT346
PZM5.1NB3	C	5.6V 0.3W zener	563	SOT346
PZM5.6NB	C	5.6V 0.3W zener	5V6	SOT346
PZM5.6NB2A	A	dual ca 5.6V 0.3W zener	5A6	SOT346
PZM51NB	C	51V 0.3W zener	51V	SOT346
PZM56NB	C	56V 0.3W zener	56V	SOT346
PZM6.2NB	C	6.2V 0.3W zener	6V2	SOT346
PZM6.2NB1	C	6.2V 0.3W zener	621	SOT346
PZM6.2NB2	C	6.2V 0.3W zener	622	SOT346
PZM6.2NB2A	A	dual ca 6.2V 0.3W zener	6A2	SOT346
PZM6.2NB3	C	6.2V 0.3W zener	623	SOT346
PZM6.8NB	C	6.8V 0.3W zener	6V8	SOT346
PZM6.8NB1	C	6.8V 0.3W zener	681	SOT346
PZM6.8NB1	C	6.8V 0.3W zener	683	SOT346
PZM6.8NB2	C	6.8V 0.3W zener	682	SOT346
PZM6.8NB2A	A	dual ca 6.8V 0.3W zener	6A8	SOT346
PZM62NB1	C	62V 0.3W zener	62V	SOT346
PZM68NB1	C	68V 0.3W zener	68V	SOT346
PZM7.5NB	C	7.5V 0.3W zener	7V5	SOT346
PZM7.5NB1	C	7.5V 0.3W zener	751	SOT346
PZM7.5NB2	C	7.5V 0.3W zener	752	SOT346
PZM7.5NB2A	A	dual ca 7.5V 0.3W zener	7A5	SOT346
PZM7.5NB3	C	7.5V 0.3W zener	753	SOT346
PZM8.2NB	C	8.2V 0.3W zener	8V2	SOT23
PZM8.2NB1	C	8.2V 0.3W zener	821	SOT23
PZM8.2NB2	C	8.2V 0.3W zener	822	SOT23
PZM8.2NB2A	C	dual ca 8.2V 0.3W zener	8A2	SOT23

PZM8.2NB3	C	8.2V 0.3W zener	823	SOT23
PZM9.1NB	C	9.1V 0.3W zener	9V1	SOT346
PZM9.1NB1	C	9.1V 0.3W zener	911	SOT346
PZM9.1NB2	C	9.1V 0.3W zener	912	SOT346
PZM9.1NB2A	A	dual ca 9.1V 0.3W zener	9A1	SOT346
PZM9.1NB3	C	9.1V 0.3W zener	913	SOT346
PZT2222A	P	2N2222A sw npn	P1F	
PZT2222AT1		NPN	P1F	SOT223
PZT2907A	P	2N2907A sw pnp	P2F	
PZT2907AT1		PNP	P2F	SOT223
PZT651	N	nnp 60V 1A	651	SOT223
PZTA14	P	MPSA14 darlington	P1N	
PZTA14	P	nnp darlington MPSA14	P1N	
PZTA14T1		NPN	P1N	SOT223
PZTA42	P	MPSA42 10mA 300V npn	P1D	
PZTA42	P	MPSA42 300V npn	P1D	
PZTA42T1		NPN	P1D	SOT223
PZTA64	P	MPSA64 darlington	P2V	
PZTA64T1		PNP	P2V	SOT223
PZTA92	P	MPSA92 300V pnp	P2D	
PZTA92T1		PNP	P2D	SOT223
PZTA96T1		PNP	ZTA96	SOT223
RB411D	C	20V 500mA schottky	D3E	SOT23
RB420D	C	25V 100mA schottky	D3B	
RB420D	C	25V 100mA schottky	D3J	
RB706D-40	B	dual 45V 30mA schottky	D3L	
RN1401		NPN	XA	SOT23
RN1402		NPN	XB	SOT23
RN1403		NPN	XC	SOT23
RN1404		NPN	XD	SOT23
RN1405		NPN	XE	SOT23
RN1406		NPN	XF	SOT23
RN1407		NPN	XH	SOT23
RN1408		NPN	XI	SOT23
RN1409		NPN	XJ	SOT23
RN1410		NPN	XK	SOT23
RN1411		NPN	XM	SOT23
RN2401		PNP	YA	SOT23
RN2402		PNP	YB	SOT23
RN2403		PNP	YC	SOT23
RN2404		PNP	YD	SOT23
RN2405		PNP	YE	SOT23
RN2406		PNP	YF	SOT23
RN2407		PNP	YH	SOT23
RN2408		PNP	YI	SOT23
RN2409		PNP	YJ	SOT23
RN2410		PNP	YK	SOT23
RN2411		PNP	YM	SOT23
S01711		NPN	N18	SOT23
S01893		NPN	N27	SOT23
S01893R		NPN	O27	SOT23
S02221		NPN	N12	SOT23
S02221A		NPN	N54	SOT23
S02221AR		NPN	O54	SOT23
S02221R		NPN	O12	SOT23
S02222		NPN	N13	SOT23
S02222A		NPN	N20	SOT23

S02222AR	NPN	O20	SOT23
S02222R	NPN	O13	SOT23
S02369	NPN	N11	SOT23
S02369R	NPN	O11	SOT23
S0245A	FET	F21	SOT23
S0245AR	FET	F24	SOT23
S0245BR	FET	F20	SOT23
S0245C	FET	F25	SOT23
S0245CR	FET	F26	SOT23
S02484	NPN	NO5	SOT23
S02484R	NPN	O05	SOT23
S02894	PNP	PO6	SOT23
S02894R	PNP	J06	SOT23
S02906	PNP	PO1	SOT23
S02906A	PNP	P12	SOT23
S02906AR	PNP	J12	SOT23
S02906R	PNP	J01	SOT23
S02907	PNP	PO5	SOT23
S02907A	PNP	PO3	SOT23
S02907AR	PNP	J03	SOT23
S03903	NPN	N72	SOT23
S03903R	NPN	O72	SOT23
S03904	NPN	N71	SOT23
S03904R	NPN	O71	SOT23
S03905	PNP	P26	SOT23
S03905R	PNP	J26	SOT23
S03906R	PNP	J25	SOT23
S03966	FET	F09	SOT23
S03966R	FET	F29	SOT23
S04091	FET	F02	SOT23
S04092	FET	F10	SOT23
S04092R	FET	F30	SOT23
S04093R	FET	F31	SOT23
S04391	FET	F03	SOT23
S04392	FET	F07	SOT23
S04392R	FET	F27	SOT23
S04393	FET	F08	SOT23
S04393R	FET	F28	SOT23
S04401	NPN	2X	SOT23
S04403	PNP	2T	SOT23
S04416	FET	F01	SOT23
S0517	NPN	N94	SOT23
S05400	PNP	P32	SOT23
S05400R	PNP	J32	SOT23
S05401	PNP	P33	SOT23
S05401R	PNP	J33	SOT23
S05432	FET	F15	SOT23
S05433R	FET	F18	SOT23
S05434	FET	F19	SOT23
S05434R	FET	F32	SOT23
S05550R	NPN	O79	SOT23
S05551R	NPN	O80	SOT23
S0642	NPN	N91	SOT23
S0679	PNP	P18	SOT23
S0692	PNP	J39	SOT23
S0692	PNP	P39	SOT23
S0918	NPN	N10	SOT23

S0918R		NPN	O10	SOT23
S0930		NPN	NO8	SOT23
S0930R		NPN	O08	SOT23
S416T		PNP	GA	SOT23
S525T	G	n-ch vhf mosfet 200MHz	LB	
S779T		PNP	779	SOT23
S822T	X	npn RF FT 5.2GHz 6V 8mA	822	
S822TRW	WQ	npn rf FT 5.2 GHz 6V 8mA	W22	
S822TW	X	npn rf FT 5.2 GHz 6V 8mA	W22	
S852T	N	npn RF FT 5.2GHz 6V 8mA	852	
S852TW	X	npn rf FT 5.2 GHz 6V 8mA	W52	
S879T		PNP	879	SOT23
S888T	W	n-ch dg uhf mosfet	888	
SD914		dioda	D01	SOT23
SDBAX12		dioda	DA2	SOT23
SM2Z12	I	12V 2W zener	ZHW	2W SMD
SM2Z150	I	150V 2W zener	ZKR	2W SMD
SM2Z18	I	18V 2W zener	ZJF	2W SMD
SM2Z30	I	30V 2W zener	ZJQ	2W SMD
SM2Z5V1	I	5.1V 2W zener	ZHK	2W SMD
SM2Z5V6	I	5.6V 2W zener	ZHL	2W SMD
SMBD2835		dioda-2x	A3	SOT23
SMBD2836		dioda-2x	A2	SOT23
SMBD2837		dioda-2x	A5	SOT23
SMBD2838		diodax2	A4	SOT23
SMBD6050		dioda	5A	SOT23
SMBD6100		dioda-2x	5B	SOT23
SMBD7000		dioda-2x	5C	SOT23
SMBD914		dioda	5D	SOT23
SMBT2222		NPN	1B	SOT23
SMBT2222A		NPN	1P	SOT23
SMBT2907		PNP	2B	SOT23
SMBT2907A		PNP	2F	SOT23
SMBT3904		NPN	1A	SOT23
SMBT3906		PNP	2A	SOT23
SMBT4124		NPN	ZC	SOT23
SMBT4126		PNP	C3	SOT23
SMBT4126	N	2N4126	C3	
SMBT5086		PNP	2P	SOT23
SMBT5087		PNP	2Q	SOT23
SMBT6427		NPN	1V	SOT23
SMBT6428		NPN	1K	SOT23
SMBT6429		NPN	1L	SOT23
SMBTA05		NPN	1H	SOT23
SMBTA06		NPN	1G	SOT23
SMBTA13		NPN	1M	SOT23
SMBTA14		NPN	1N	SOT23
SMBTA20		NPN	1C	SOT23
SMBTA42		NPN	1D	SOT23
SMBTA43		NPN	1E	SOT23
SMBTA55		PNP	2H	SOT23
SMBTA56		PNP	2G	SOT23
SMBTA63		PNP	2U	SOT23
SMBTA64		PNP	2V	SOT23
SMBTA70		PNP	2C	SOT23
SMBTA92		PNP	2D	SOT23
SMBTA93		PNP	2E	SOT23

SN7002		MOSFET	SG	SOT23
SN7002	M	n-ch mosfet 60V 0.19A	sSG	SOT23
SO1711	N	2N1711	N18	
SO1893	N	2N1893	N27	
SO1893R	R	2N1893	O27	
SO2221	N	2N2221	N12	
SO2221A	N	2N2221A	N54	
SO2221AR	R	2N2221A	O54	
SO2221R	R	2N2221	O12	
SO2222	N	2N2222	N13	
SO2222A	N	2N2222A	N20	
SO2222AR	R	2N2222A	O20	
SO2222R	R	2N2222	O13	
SO2369	N	2N2369	N11	
SO2369A	N	2N2369A	N81	
SO2369AR	R	2N2369A	O81	SOT23R
SO2369R	R	2N2369	O11	SOT23R
SO245B		FET	F12	SOT23
SO2484	N	2N2484	N05	
SO2484R	R	2N2484	O05	
SO2894	N	2N2894	P06	
SO2906	N	2N2906	P01	
SO2906A	N	2N2906A	P12	
SO2906AR	R	2N2906A	J12	
SO2906R	N	2N2906	J01	
SO2907	N	2N2907	P05	
SO2907A	N	2N2907A	P03	
SO2907AR	R	2N2907A	J03	
SO2907R		PNP	J05	SOT23
SO2907R	R	2N2907	J05	
SO3903	N	2N3903	N72	
SO3904	N	2N3904	N71	
SO3905	N	2N3905	P26	
SO3906		PNP	P25	SOT23
SO3906	N	2N3906	P25	
SO4091R		FET	F22	SOT23
SO4093		FET	F11	SOT23
SO4391R		FET	F23	SOT23
SO4401	N	2N4401	2X	
SO4403	N	2N4403	2T	
SO517	N	npn darlington	N94	
SO5400	N	2N5400	P32	
SO5400R	R	2N5400	J32	
SO5401	N	2N5401	P33	
SO5401R	R	2N5401	J33	
SO5432R		FET	F16	SOT23
SO5433		FET	F17	SOT23
SO5550		NPN	N79	SOT23
SO5550	N	2N5550	N79	
SO5550R	R	2N5550	O79	
SO5551		NPN	N80	SOT23
SO5551	N	2N5551	N80	
SO5551R	R	2N5551	O80	
SO642		NPN	O91	SOT23
SO642	N	npn Vce 300V	N91	
SO642R	R	npn Vce 300V	O91	
SO692		pnP Vce 300V	P39	

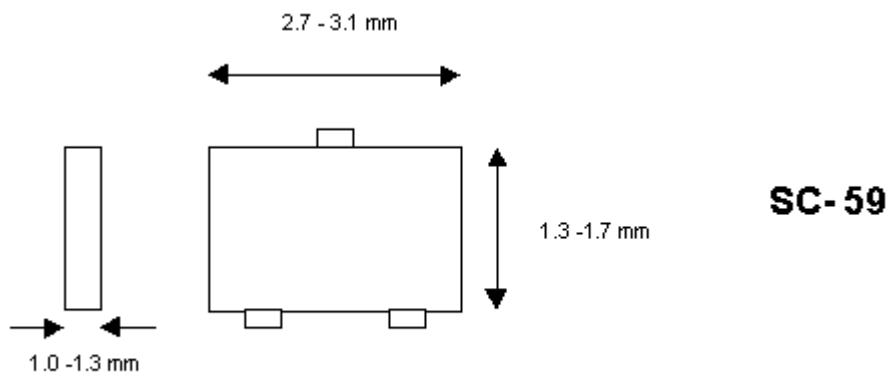
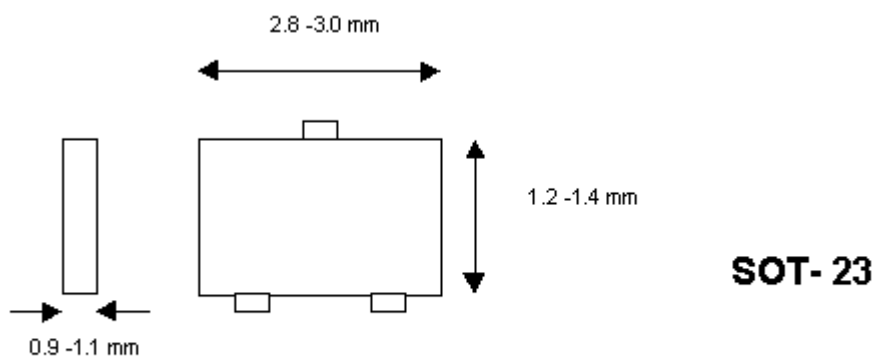
SO692R		pnp Vce 300V	J39	
SO918	N	2N918	N10	
SO918R	R	2N918	O10	
SO930	N	2N930	N08	
SO930R	R	2N930	O08	
SOA05		NPN	1HT	SOT23
SOA05	N	MPSA05	1HT	SOT23
SOA06		NPN	1GT	SOT23
SOA06	N	MPSA06	1GT	
SOA55		PNP	2HT	SOT23
SOA55	N	MPSA55	2HT	
SOA56		PNP	2GT	SOT23
SOA56	N	MPSA56	2GT	
SP0610T		MOSFET	SF	SOT23
SST108		JFET	I8	SOT23
SST108	F	J108 n-ch jfet	I08	SOT23
SST109		JFET	I9	SOT23
SST109	F	J109 n-ch jfet	I09	SOT23
SST110		JFET	I0	SOT23
SST110	F	J110 n-ch jfet	I10	SOT23
SST111		JFET	C1	SOT23
SST111	F	J111 n-ch fet	C11	SOT23
SST112		JFET	C2	SOT23
SST112	F	J112 analog sw n-ch jfet	C2	SOT23
SST112	F	J112 n-ch fet	C12	SOT23
SST113		JFET	C3	SOT23
SST113	F	J113 analog sw jfet	C3	SOT23
SST113	F	J113 n-ch fet	C13	SOT23
SST174		JFET	S4	SOT23
SST174	F	J174 p-ch fet	S74	SOT23
SST175		JFET	S5	SOT23
SST175	F	J175 p-ch fet	S75	SOT23
SST176		JFET	S6	SOT23
SST176	F	J176 p-ch fet	S76	SOT23
SST177		JFET	S7	SOT23
SST177	F	J177 p-ch analogsw jfet	S7	SOT23
SST177	F	J177 p-ch fet	S77	SOT23
SST201		JFET	P1	SOT23
SST201	F	J201 n-ch fet	P01	SOT23
SST201	F	J201 n-ch jfet	P1	SOT23
SST202		JFET	P2	SOT23
SST202	F	J202 n-ch fet	P02	SOT23
SST203	F	J203 n-ch fet	P03	SOT23
SST204		JFET	P4	SOT23
SST204	F	J204 n-ch fet	P04	SOT23
SST211		JFET	D1	SOT143
SST211	XQ	n-ch mosfet 30V 1nS	D1	
SST213		JFET	D3	SOT143
SST215		JFET	D5	SOT143
SST270		JFET	S0	SOT23
SST270	F	J270 p-ch jfet	S70	SOT23
SST271		JFET	S1	SOT23
SST271	F	J271 p-ch jfet	S71	SOT23
SST308		JFET	Z8	SOT23
SST308	F	J308 n-ch jfet	Z08	SOT23
SST309		JFET	Z9	SOT23
SST309	F	J309 n-ch jfet	Z09	SOT23

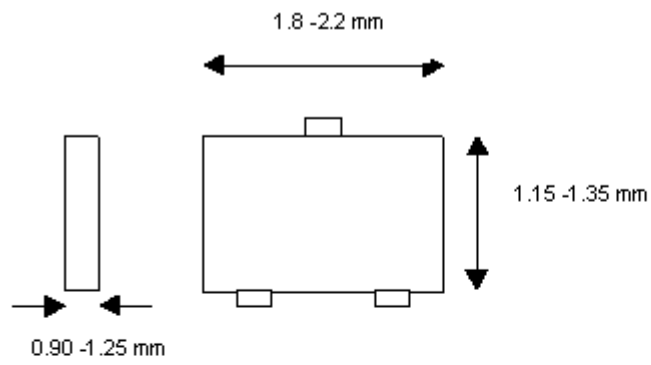
SST310		JFET	Z0	SOT23
SST310	F	J310 n-ch jfet	Z0	SOT23
SST310	F	J310 n-ch jfet	Z10	SOT23
SST4091	F	2N4091	C41	SOT23
SST4092	F	2N4092	C42	SOT23
SST4093	F	2N4093	C43	SOT23
SST4117		JFET	T7	SOT23
SST4118		JFET	T8	SOT23
SST4119		JFET	T9	SOT23
SST4302	F	2N4302	PH2	SOT23
SST4303	F	2N4303	PH3	SOT23
SST4304	F	2N4304	PH4	SOT23
SST4338	F	2N4338	P38	SOT23
SST4339	F	2N4339	P39	
SST4340	F	2N4340	P40	SOT23
SST4341	F	2N4341	P41	SOT23
SST4391		JFET	CA	SOT23
SST4391	F	2N4391	C91	SOT23
SST4392		JFET	CB	SOT23
SST4392	F	2N4392	C92	SOT23
SST4393		JFET	CC	SOT23
SST4393	F	2N4393	C93	SOT23
SST4416		JFET	H1	SOT23
SST4416	F	2N4416 n-ch jfet	H16	
SST4856	F	2N4856	C56	SOT23
SST4857	F	2N4857	C57	SOT23
SST4858	F	2N4858	C58	SOT23
SST4859	F	2N4859	C59	SOT23
SST4860	F	2N4860	C60	SOT23
SST4861	F	2N4861	C61	SOT23
SST5114	F	2N5114	S14	SOT23
SST5115	F	2N5115	S15	SOT23
SST5116	F	2N5116	S16	SOT23
SST5457	F	2N5457	P57	SOT23
SST5458	F	2N5458	P58	SOT23
SST5459	F	2N5459	P59	SOT23
SST5460	F	2N5460	P60	SOT23
SST5461	F	2N5461	P61	SOT23
SST5462	F	2N5462	P62	SOT23
SST5463	F	2N5463	P63	SOT23
SST5464	F	2N5464	P64	SOT23
SST5465	F	2N5465	P65	SOT23
SST5484		JFET	H4	SOT23
SST5484	F	2N5484	H84	SOT23
SST5485		JFET	H5	SOT23
SST5485	F	2N5485	H85	SOT23
SST5486		JFET	H6	SOT23
SST5486	F	2N5486	H86	SOT23
SST5638	F	2N5638	C38	SOT23
SST5639	F	2N5639	C39	SOT23
SST5640	F	2N5640	C40	SOT23
SST6908	ZQ	2N6908 prot n-ch jfet	B08	
SST6909	ZQ	2N6909 prot n-ch jfet	B09	
SST6910	ZQ	2N6910 prot n-ch jfet	B10	
SSTJ211	F	J211 n-ch jfet	Z1	SOT23
SSTJ212	F	J212 n-ch jfet	Z2	SOT23
SSTPAD10	J	PAD-10 10pA leakage diode	010	

SSTPAD100	J	PAD-100 100pA leakage diode	100	
SSTPAD100pA		dioda	1	SOT23
SSTPAD20	J	PAD-20 20pA leakage diode	020	
SSTPAD200	J	PAD-200 200pA leakage diode	200	
SSTPAD5		pAdioda	5	SOT23
SSTPAD5	J	PAD-5 5pA leakage diode	005	
SSTPAD50	J	PAD-50 50pA leakage diode	050	
SSTPAD500	J	PAD-500 500pA leakage diode	500	
SXT2222A		NPN	2P	SOT89
SXT2907A		PNP	2F	SOT89
SXT3904		NPN	1A	SOT89
SXT3906		PNP	2A	SOT89
SXTA42		NPN	1D	SOT89
SXTA43		NPN	1E	SOT89
SXTA92		PNP	2D	SOT89
SXTA93		PNP	2E	SOT89
SZV55-C8V2		zener.	C8V2	SOD80
TN0200T	M	n-ch mosfet 0.6A Id	N0	SOT23
TN0201T		MOSFET	N1	SOT23
TN0201T	M	n-ch mosfet 0.3A Id 0.2W	N1	SOT23
TN2010T		MOSFET	R1	SOT23
TN2460T		MOSFET	T2	SOT23
TP0101T	M	p-ch mosfet 0.5A 12V	P0	SOT23
TP0202T		MOSFET	P3	SOT23
TP0202T	M	p-ch mosfet 0.3A 20V	P3	
TP0601T	M	p-ch mosfet 60V 0.12A	T0	
TP0610T		MOSFET	T0	SOT23
TSDF1205	X	ft 12GHz npn RF 4V 12mA	F05	
TSDF1205R	WQ	ft12GHz npn 4V 5mA	05F	
TSDF1205RW	WQ	12GHz npn 5mA 4V	W0F	SOT343
TSDF1205W	X	12 GHz npn 5mA 4V	WF0	SOT343
TSDF1220	X	ft 12GHz npn 6V 20mA	20F	SOT143
TSDF1220	X	ft 12GHz npn 6V 20mA	F20	
TSDF1220RW	WQ	12GHz npn 6V 20mA	W2	SOT343
TSDF1220W	X	12GHz npn 6V 20mA	WF2	SOT343
UMH11TN	DI	nnp/pnp pair 10k+10k biasres	H11	
VAM-03	AQ	modamp MAR 3 Similar	A03	
VAM-06	AQ	modamp MAR 6 Similar	A06	
VAM-07	AQ	modamp MAR 7 Similar	A07	
VN0605T		MOSFET	V2	SOT23
VN0605T	M	n-ch enh mosfet 60V/0.18A	V02	
VN10LF		MOSFET	MY	SOT23
VN10LF	M	n-ch mosfet 60V 150mA	MY	SOT23
VN45350T	M	n-ch enh mosfet 450V 20mA	V04	
VN50300T		MOSFET	V1	SOT23
VN50300T	M	n-ch enh mosfet 500V 22mA	V01	
VP0610T	M	p-ch enh mosfet -60V 120mA	V50	
YP0610T		MOSFET	V0	SOT23
YTS2221		NPN	7E	SOT23
YTS2221A		NPN	7F	SOT23
YTS2222		NPN	1B	SOT23
YTS2222A		NPN	1P	SOT23
YTS2906		PNP	5E	SOT23
YTS2906A		PNP	5F	SOT23
YTS2907		PNP	2B	SOT23
YTS2907A		PNP	2F	SOT23
YTS3903		NPN	1Y	SOT23

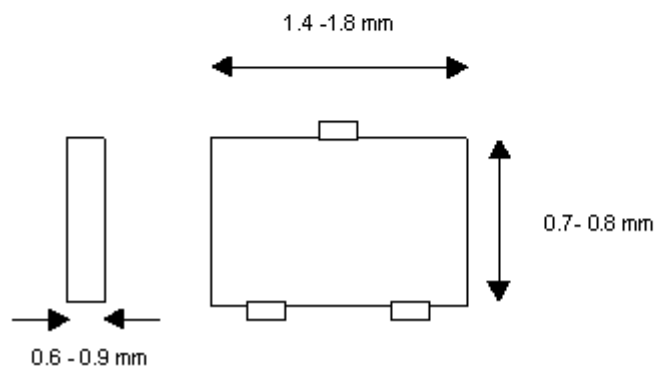
YTS3904		NPN	1A	SOT23
YTS3905		PNP	5M	SOT23
YTS3906		PNP	2A	SOT23
YTS4123		NPN	7C	SOT23
YTS4124		NPN	ZC	SOT23
YTS4125		PNP	ZD	SOT23
YTS4126		PNP	5N	SOT23
YTS4400		NPN	7I	SOT23
YTS4401		NPN	2X	SOT23
YTS4402		PNP	5I	SOT23
YTS4403		PNP	21	SOT23
ZBF569		PNP	F69	SOT23
ZBF579		PNP	F79	SOT23
ZC2800E		dioda	E6	SOT23
ZC2800E	C	HP2800	E6	
ZC2810E		dioda	E7	SOT23
ZC2811E		dioda	E8	SOT23
ZC2811E	C	HP2811	E8	
ZC2812E		dioda	12E	SOT23
ZC2813E		dioda	13E	SOT23
ZC5800E		dioda	E9	SOT23
ZC5800E	C	HP5800	E9	
ZC830		VCAPdioda	J1S	SOT23
ZC830	C	ZC820 varicaps	J1	
ZC830A		VCAPdioda	J1A	SOT23
ZC830B		VCAPdioda	J1B	SOT23
ZC831		VCAPdioda	J3S	SOT23
ZC831	C	ZC821	J3	
ZC831A		VCAPdioda	J3A	SOT23
ZC831B		VCAPdioda	J3B	SOT23
ZC832		VCAPdioda	J4S	SOT23
ZC832	C	ZC823	J4	
ZC832A		VCAPdioda	J4A	SOT23
ZC832B		VCAPdioda	J4B	SOT23
ZC833		VCAPdioda	J2S	SOT23
ZC833	C	ZC823	J2	
ZC833A		VCAPdioda	J2A	SOT23
ZC833B		VCAPdioda	J2B	SOT23
ZC834		VCAPdioda	J5S	SOT23
ZC834	C	ZC824	J5	
ZC834A		VCAPdioda	J5A	SOT23
ZC834B		VCAPdioda	J5B	SOT23
ZC835		VCAPdioda	J6S	SOT23
ZC835	C	ZC825	J6	
ZC835A		VCAPdioda	J6A	SOT23
ZC835B		VCAPdioda	J6B	SOT23
ZC836		VCAPdioda	J7S	SOT23
ZC836	C	ZC826	J7	
ZC836A		VCAPdioda	J7A	SOT23
ZC836B		VCAPdioda	J7B	SOT23
ZGF300F		NPN	G30	SOT23
ZHCS1000	C	schottky 1A 30V	ZS1	SOT23
ZHCS750	C	schottky 0.75A 30V	ZS7	SOT23
ZRA124F01		VREFERENCE	12C	SOT23
ZRA125F02		VREFERENCE	12B	SOT23
ZRA125F03		VREFERENCE	12A	SOT23
ZRA250F01		VREFERENCE	25B	SOT23

ZRA250F02		VREFERENCE	25C	SOT23
ZRA250F03		VREFERENCE	25A	SOT23
ZRA500F02		VREFERENCE	50B	SOT23
ZRA500F03		VREFERENCE	50A	SOT23
ZRB500F01		VREFERENCE	50I	SOT23
ZRB500F02		VREFERENCE	50H	SOT23
ZRB500F03		VREFERENCE	50G	SOT23
ZRC330F01		VREFERENCE	33C	SOT23
ZRC330F02		VREFERENCE	33B	SOT23
ZRC330F03		VREFERENCE	33A	SOT23
ZVN2106Z		MOSFET	N16	SOT89
ZVN2120Z		MOSFET	N10	SOT89
ZVN3306F		MOSFET	MC	SOT23
ZVN3306F	M	n-ch mosfet 60V 150mA	MC	SOT23
ZVN3310F		MOSFET	MF	SOT23
ZVN3310F	M	n-ch mosfet 100V 100mA	MF	SOT23
ZVN3320F		MOSFET	MU	SOT23
ZVN4106F		MOSFET	MZ	SOT23
ZVN4106F	M	n-ch mosfet 60V 200mA	MZ	SOT23
ZVN4206Z		MOSFET	N26	SOT89
ZVNL120Z		MOSFET	L12	SOT89
ZVP1320F		MOSFET	MT	SOT23
ZVP2106Z		MOSFET	P16	SOT89
ZVP3306F		MOSFET	ML	SOT23
ZVP3306F	M	p-ch mosfet 60V 90mA	ML	SOT23
ZVP3310F		MOSFET	MR	SOT23
ZVP3310F	M	p-ch mosfet 100V 75mA	MR	SOT23

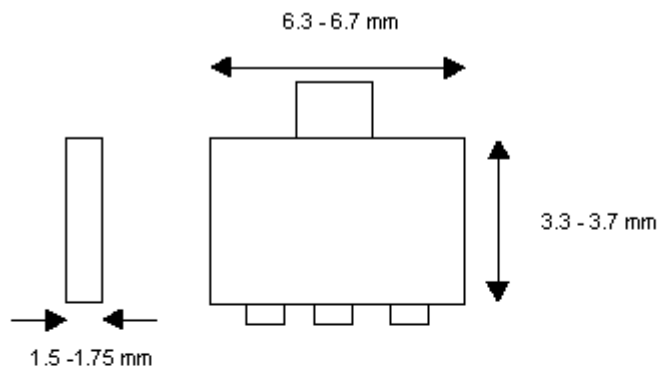




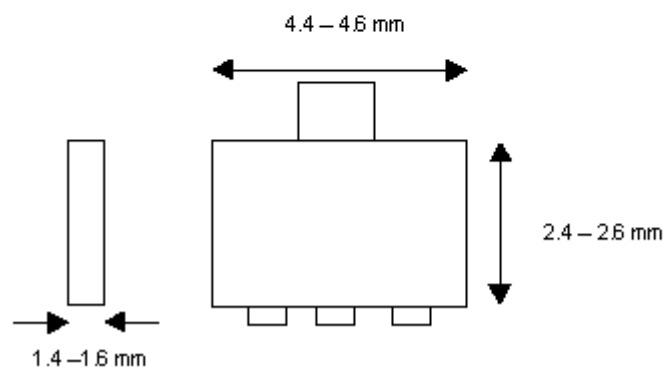
SOT- 323/SC-70



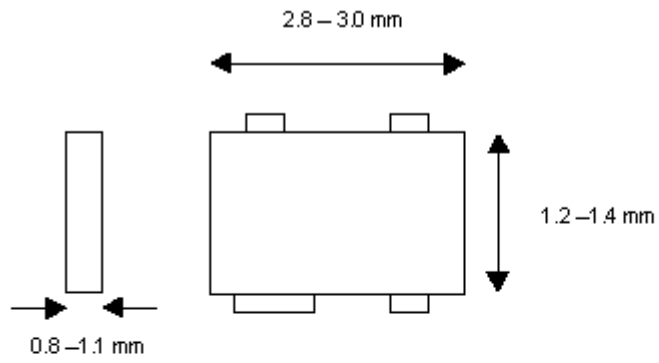
SOT- 416/SC- 90



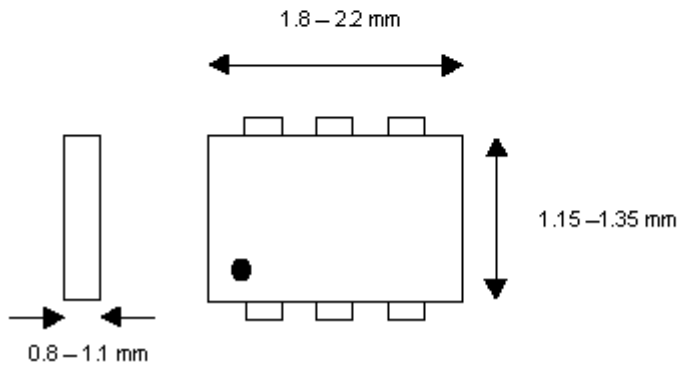
SOT- 223



SOT- 89



SOT-143



SOT-363